

Алматы (7273)495-231
Ангарск (3955)60-70-56
Архангельск (8182)63-90-72
Астрахань (8512)99-46-04
Барнаул (3852)73-04-60
Белгород (4722)40-23-64
Благовещенск (4162)22-76-07
Брянск (4832)59-03-52
Владивосток (423)249-28-31
Владикавказ (8672)28-90-48
Владимир (4922)49-43-18
Волгоград (844)278-03-48
Вологда (8172)26-41-59
Воронеж (473)204-51-73
Екатеринбург (343)384-55-89

Иваново (4932)77-34-06
Ижевск (3412)26-03-58
Иркутск (395)279-98-46
Казань (843)206-01-48
Калининград (4012)72-03-81
Калуга (4842)92-23-67
Кемерово (3842)65-04-62
Киров (8332)68-02-04
Коломна (4966)23-41-49
Кострома (4942)77-07-48
Краснодар (861)203-40-90
Красноярск (391)204-63-61
Курск (4712)77-13-04
Курган (3522)50-90-47
Липецк (4742)52-20-81

Магнитогорск (3519)55-03-13
Москва (495)268-04-70
Мурманск (8152)59-64-93
Набережные Челны (8552)20-53-41
Нижний Новгород (831)429-08-12
Новокузнецк (3843)20-46-81
Ноябрьск (3496)41-32-12
Новосибирск (383)227-86-73
Омск (3812)21-46-40
Орел (4862)44-53-42
Оренбург (3532)37-68-04
Пенза (8412)22-31-16
Петрозаводск (8142)55-98-37
Псков (8112)59-10-37

Пермь (342)205-81-47
Ростов-на-Дону (863)308-18-15
Рязань (4912)46-61-64
Самара (846)206-03-16
Саранск (8342)22-96-24
Санкт-Петербург (812)309-46-40
Саратов (845)249-38-78
Севастополь (8692)22-31-93
Симферополь (3652)67-13-56
Смоленск (4812)29-41-54
Сочи (862)225-72-31
Ставрополь (8652)20-65-13
Сургут (3462)77-98-35
Сыктывкар (8212)25-95-17
Тамбов (4752)50-40-97

Тверь (4822)63-31-35
Тольятти (8482)63-91-07
Томск (3822)98-41-53
Тула (4872)33-79-87
Тюмень (3452)66-21-18
Ульяновск (8422)24-23-59
Улан-Удэ (3012)59-97-51
Уфа (347)229-48-12
Хабаровск (4212)92-98-04
Чебоксары (8352)28-53-07
Челябинск (351)202-03-61
Череповец (8202)49-02-64
Чита (3022)38-34-83
Якутск (4112)23-90-97
Ярославль (4852)69-52-93

Россия +7(495)268-04-70

Казахстан +7(7172)727-132

Киргизия +996(312)96-26-47

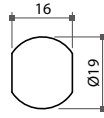
www.fourwinds.nt-rt.ru | fse@nt-rt.ru

Технические характеристики на ПОЧТОВЫЕ ЗАМКИ, ЗАМКИ ДЛЯ СТЕКОЛ, ПРИНАДЛЕЖНОСТИ КОМПАНИИ **Four Winds**

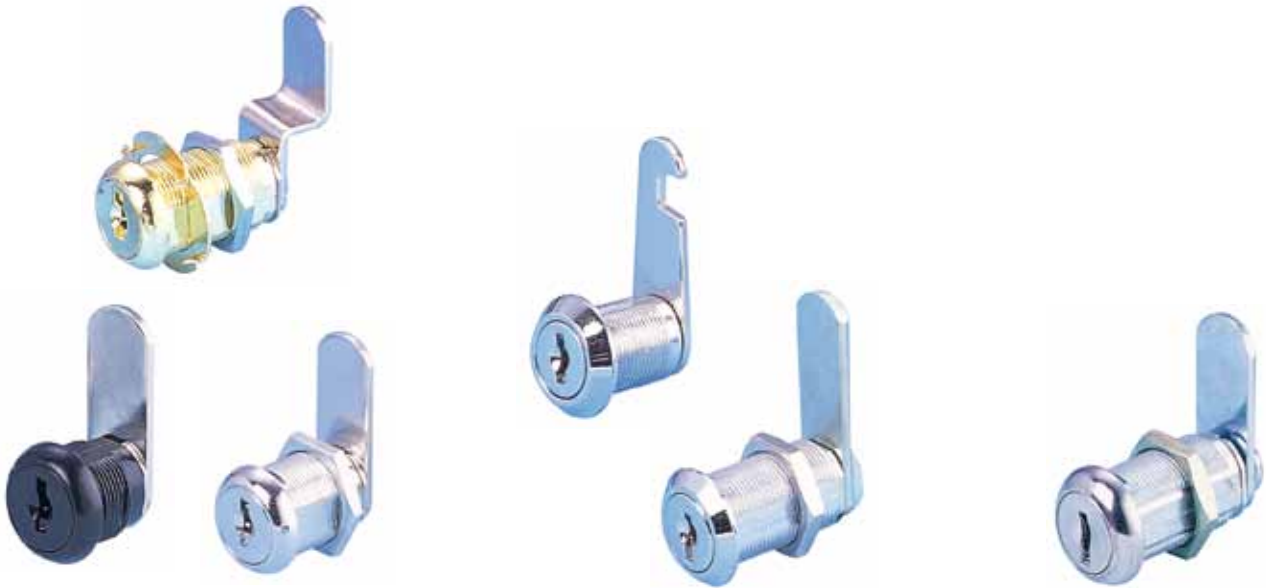
05-1 Cam Locks

Cam Lock

- * Ø19mm drilling hole
- * Material: zinc alloy cylinder
- * Finish: chrome, black, brass or nickel plated
- * With a removable screw-fixing cam
- * 90° or 180° cam turn in left or right direction
- * Accessories: 1 pc of hex nut and 1 pc of fixing washer
- * Available in K/A (key alike), K/D (key different) and master key system

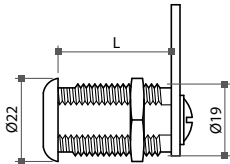


05
Locks



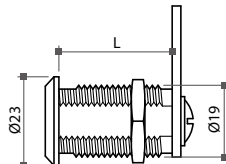
Optional housing shapes

OV type



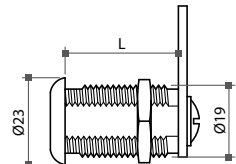
Item No.	L
68431	16mm
68432	22mm
68433	28mm
68434	35mm
68435	41mm

DM type



Item No.	L
68631	16mm
68632	22mm
68633	28mm

SS type

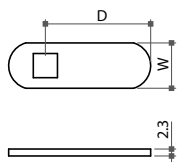


Item No.	L
68441	16mm
68442	22mm
68443	28mm
68444	35mm
68445	41mm

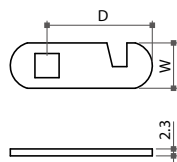
Optional cam types

- * 2.3mm thick zinc plated
- * Sizes can be specified

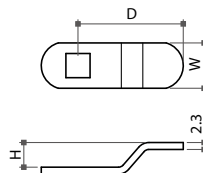
Straight type



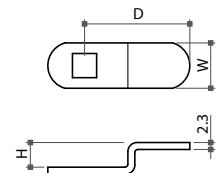
Hook type



Offset-R type



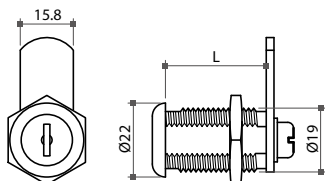
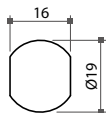
Offset-S type



05-1 Cam Locks

Plastic Cam Lock

- * Ø19mm drilling hole
- * Material: ABS plastic cylinder
- * Finish: chrome or black plated
- * With a removable screw-fixing cam
- * Available in K/A (key alike), K/D (key different) and master key system

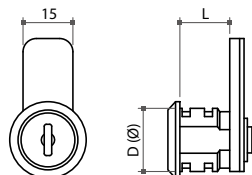


Item No.	L
68421	16mm
68422	22mm
68423	28mm



68621 Case Cam Lock

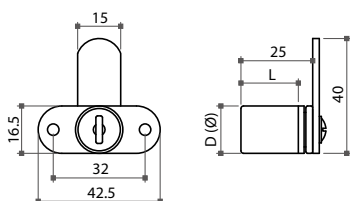
- * For metal cabinet
- * Material: zinc alloy
- * Finish: nickel plated
- * Accessory: 1 pc of spring clip



Item No.	Cylinder size (DxL)
68621	Ø19x15mm

68625 Cam Lock with Mounting Flange

- * Hook cam type
- * Material: zinc alloy
- * Finish: nickel, brass or black plated
- * Accessories: 1 pc of rosette and 1 pc of M3x10mm screw
- * Available in K/A (key alike), K/D (key different) and master key system

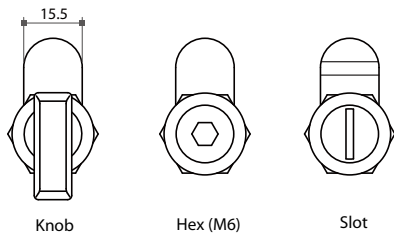
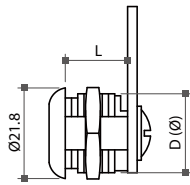


Item No.	Cylinder size (DxL)
68625	Ø16.5x20mm

05-1 Cam Locks

Keyless Cam Lock

* Material: zinc alloy



Item No.	Cylinder size (DxL)	Type
69111	Ø19x15mm	Knob
69112	Ø19x15mm	Hex (M6)
69113	Ø19x15mm	Slot (2mm)

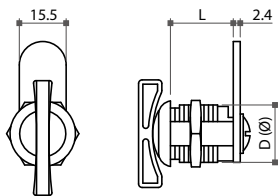


Keyless Cam Lock

* Material: zinc alloy

* Optional cam rotations and lengths

* Turn-knob type

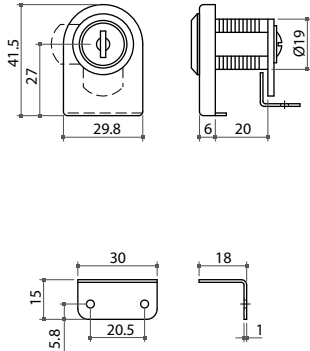


Item No.	Cylinder size (DxL)
69116	Ø19x16mm
69117	Ø19x22mm
69118	Ø19x29mm
69119	Ø19x41mm

05-6 Glass Locks

68680 Single Glass Door Lock

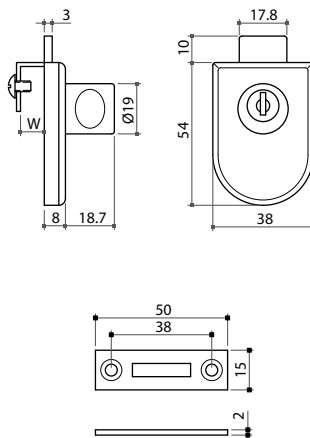
- * Material: zinc alloy cylinder and steel front plate
- * For glass of 5 ~ 7mm thickness
- * Accessory: 1 pc of L-type steel strike plate
- * Available in K/A (key alike), K/D (key different) and master key system



Item No.	Glass thickness
68680	5 ~ 7mm

Glass / Wooden Door Lock

- * Material: zinc alloy
- * Finish: chrome, black or gold plated
- * Cylinder with handle function
- * Accessory: 1 pc of steel strike plate
- * Available in K/A (key alike), K/D (key different) and master key system

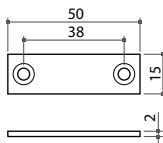
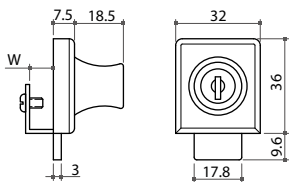


Item No.	W	Glass thickness
64081	9mm	5 ~ 6mm
64082	12.2mm	8 mm
64083	15mm	10 ~ 12mm

05-6 Glass Locks

U-Knob Glass Door Lock, for single door

- * Material: zinc alloy
- * No boring on glass door
- * Cylinder with handle function
- * Accessory: 1 pc of steel strike plate
- * Available in K/A (key alike), K/D (key different) and master key system

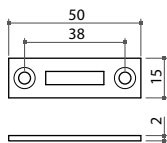
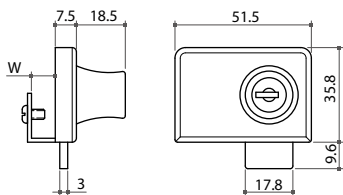


Item No.	W	Glass thickness
64075	9mm	5 ~ 6mm
64078	12mm	8mm



U-Knob Glass Door Lock, for double door

- * Material: zinc alloy
- * No boring on glass door
- * Cylinder with handle function
- * Accessory: 1 pc of steel strike plate
- * Available in K/A (key alike), K/D (key different) and master key system



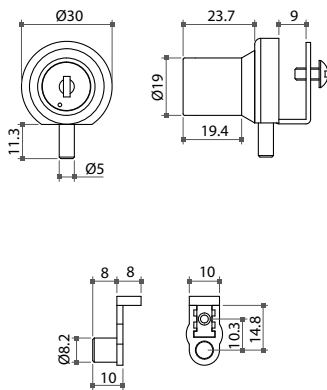
Item No.	W	Glass thickness
64175	9mm	5 ~ 6mm
64178	12mm	8mm



05-6 Glass Locks

68407 Swing Glass Door Lock, for single door

- * Material: zinc alloy
- * Finish: chrome, black or gold plated
- * For glass of 5 ~ 6mm thickness
- * Accessories: 2 pcs of washer and 1 pc of stop socket with pin hole locator
- * Available in K/A (key alike), K/D (key different) and master key system

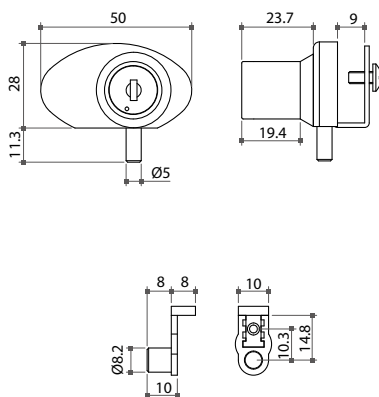


Item No.	Glass thickness
68407	5 ~ 6mm

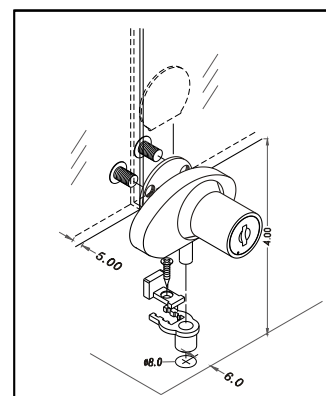


68417 Swing Glass Door Lock, for double door

- * Material: zinc alloy
- * Finish: chrome, black or gold plated
- * For glass of 5 ~ 6mm thickness
- * Accessories: 2 pcs of washer and 1 pc of stop socket with pin hole locator
- * Available in K/A (key alike), K/D (key different) and master key system



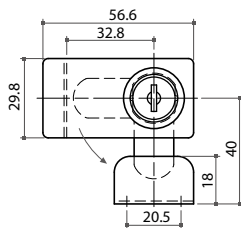
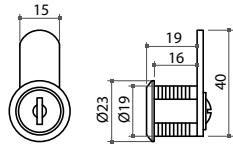
Item No.	Glass thickness
68417	5 ~ 6mm



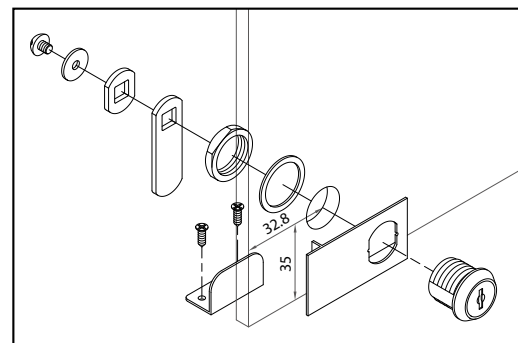
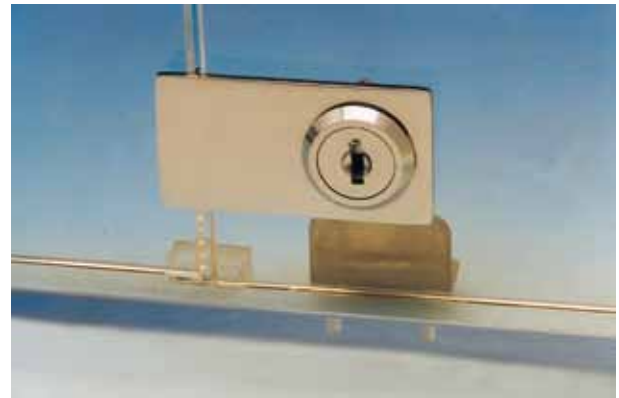
05-6 Glass Locks

68670 Double Glass Door Lock

- * Material: zinc alloy cylinder and steel front plate
- * For glass of 5 ~ 7mm thickness
- * Accessory: 1 pc of L-type steel strike plate
- * Available in K/A (key alike), K/D (key different) and master key system

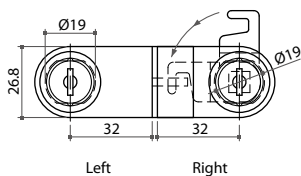
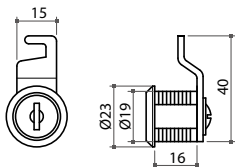


Item No.	Glass thickness
68670	5 ~ 7mm

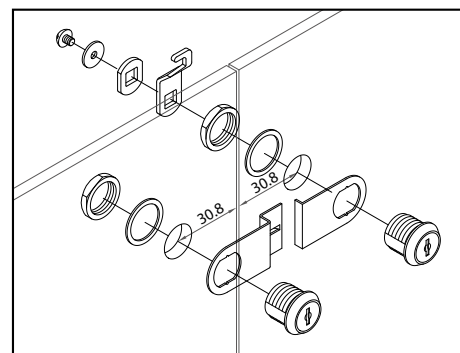


68660 Double Glass Door Lock

- * Material: zinc alloy cylinder and steel front plate
- * Left part with decorative cylinder and steel front plate
- * Right part with lock cylinder and offset hook cam
- * Available in K/A (key alike), K/D (key different) and master key system



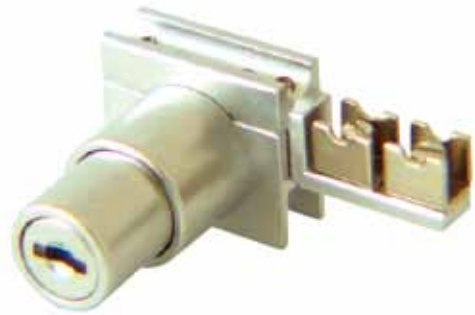
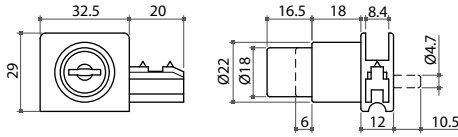
Item No.	Glass thickness
68660	5 ~ 6mm



05-6 Glass Locks

68460 Sliding Glass Door Push Lock

- * Material: zinc alloy
- * Finish: chrome plated
- * For glass of 5 ~ 6mm thickness

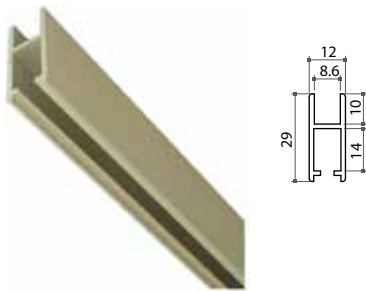


Item No.	Glass thickness
68460	5 ~ 6mm

Rail and Track series

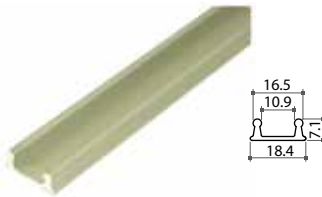
68701A Glass Rail

- * Material: aluminium
- * Length: 2, 2.5 or 4 meters



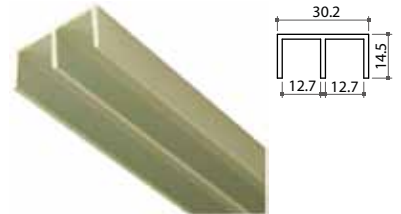
68705 Bottom Track

- * Material: aluminium
- * Length: 2, 2.5 or 4 meters



68706 Top Track

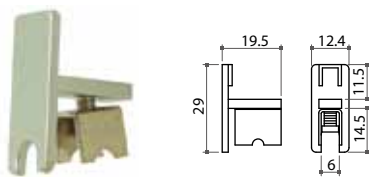
- * Material: aluminium
- * Length: 2, 2.5 or 4 meters



Suspension Accessories

68703A End Cap

- * Material: zinc alloy



68702 Splint

- * Material: ABS



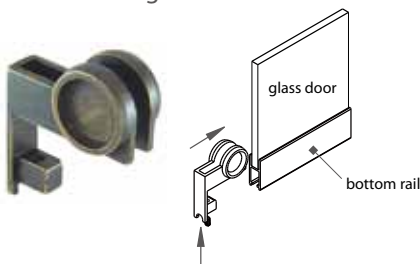
68707 Silencer

- * Material: ABS
- * Size: 30 ± 0.5mm



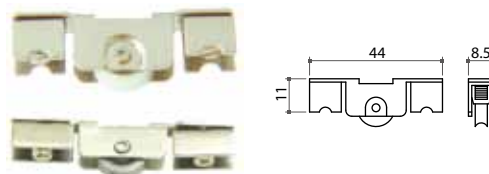
Pull and Roller

68708 End Finger Pull

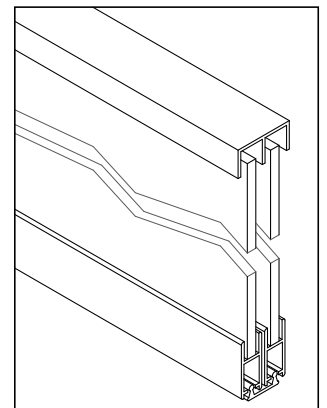


68704A Roller

- * Material: nylon wheel, steel housing



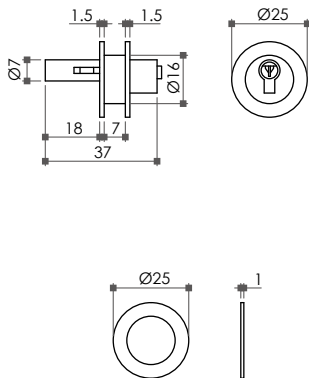
Sliding door for showcase



05-6 Glass Locks

68760 Sliding Glass Door Lock

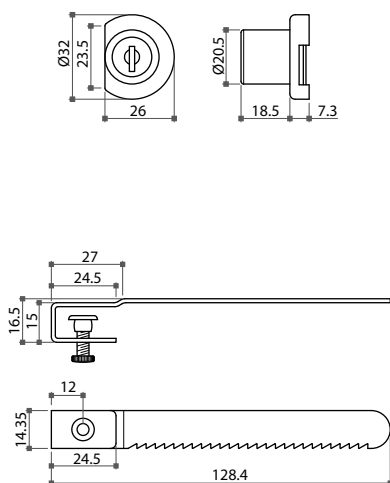
- * Material: brass cylinder, nickel plated, and steel key chrome plated
- * For glass of 5 ~ 7mm thickness
- * Accessories: 2 pcs of rubber washer and 2 pcs of screw
- * Available in K/A (key alike), K/D (key different)



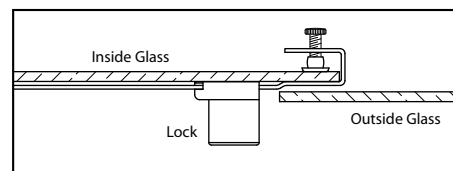
Item No.	Glass thickness
68760	5 ~ 7mm

Sliding Glass Door Lock

- * Material: zinc alloy and steel
- * Finish: chrome, black or gold plated



Item No.	Bar length
68724	4-1/2"
68725	5-1/2"
68726	5"



Алматы (7273)495-231
Ангарск (3955)60-70-56
Архангельск (8182)63-90-72
Астрахань (8512)99-46-04
Барнаул (3852)73-04-60
Белгород (4722)40-23-64
Благовещенск (4162)22-76-07
Брянск (4832)59-03-52
Владивосток (423)249-28-31
Владикавказ (8672)28-90-48
Владимир (4922)49-43-18
Волгоград (844)278-03-48
Вологда (8172)26-41-59
Воронеж (473)204-51-73
Екатеринбург (343)384-55-89

Иваново (4932)77-34-06
Ижевск (3412)26-03-58
Иркутск (395)279-98-46
Казань (843)206-01-48
Калининград (4012)72-03-81
Калуга (4842)92-23-67
Кемерово (3842)65-04-62
Киров (8332)68-02-04
Коломна (4966)23-41-49
Кострома (4942)77-07-48
Краснодар (861)203-40-90
Красноярск (391)204-63-61
Курск (4712)77-13-04
Курган (3522)50-90-47
Липецк (4742)52-20-81

Магнитогорск (3519)55-03-13
Москва (495)268-04-70
Мурманск (8152)59-64-93
Набережные Челны (8552)20-53-41
Нижний Новгород (831)429-08-12
Новокузнецк (3843)20-46-81
Ноябрьск (3496)41-32-12
Новосибирск (383)227-86-73
Омск (3812)21-46-40
Орел (4862)44-53-42
Оренбург (3532)37-68-04
Пенза (8412)22-31-16
Петрозаводск (8142)55-98-37
Псков (8112)59-10-37

Пермь (342)205-81-47
Ростов-на-Дону (863)308-18-15
Рязань (4912)46-61-64
Самара (846)206-03-16
Саранск (8342)22-96-24
Санкт-Петербург (812)309-46-40
Саратов (845)249-38-78
Севастополь (8692)22-31-93
Симферополь (3652)67-13-56
Смоленск (4812)29-41-54
Сочи (862)225-72-31
Ставрополь (8652)20-65-13
Сургут (3462)77-98-35
Сыктывкар (8212)25-95-17
Тамбов (4752)50-40-97

Тверь (4822)63-31-35
Тольятти (8482)63-91-07
Томск (3822)98-41-53
Тула (4872)33-79-87
Тюмень (3452)66-21-18
Ульяновск (8422)24-23-59
Улан-Удэ (3012)59-97-51
Уфа (347)229-48-12
Хабаровск (4212)92-98-04
Чебоксары (8352)28-53-07
Челябинск (351)202-03-61
Череповец (8202)49-02-64
Чита (3022)38-34-83
Якутск (4112)23-90-97
Ярославль (4852)69-52-93

Россия +7(495)268-04-70

Казахстан +7(7172)727-132

Киргизия +996(312)96-26-47

www.fourwinds.nt-rt.ru | | fse@nt-rt.ru