

Алматы (7273)495-231	Иваново (4932)77-34-06	Магнитогорск (3519)55-03-13	Пермь (342)205-81-47	Тверь (4822)63-31-35
Ангарск (3955)60-70-56	Ижевск (3412)26-03-58	Москва (495)268-04-70	Ростов-на-Дону (863)308-18-15	Тольятти (8482)63-91-07
Архангельск (8182)63-90-72	Иркутск (395)279-98-46	Мурманск (8152)59-64-93	Рязань (4912)46-61-64	Томск (3822)98-41-53
Астрахань (8512)99-46-04	Казань (843)206-01-48	Набережные Челны (8552)20-53-41	Самара (846)206-03-16	Тула (4872)33-79-87
Барнаул (3852)73-04-60	Калининград (4012)72-03-81	Нижний Новгород (831)429-08-12	Саранск (8342)22-96-24	Тюмень (3452)66-21-18
Белгород (4722)40-23-64	Калуга (4842)92-23-67	Новокузнецк (3843)20-46-81	Санкт-Петербург (812)309-46-40	Ульяновск (8422)24-23-59
Благовещенск (4162)22-76-07	Кемерово (3842)65-04-62	Ноябрьск (3496)41-32-12	Саратов (845)249-38-78	Улан-Удэ (3012)59-97-51
Брянск (4832)59-03-52	Киров (8332)68-02-04	Новосибирск (383)227-86-73	Севастополь (8692)22-31-93	Уфа (347)229-48-12
Владивосток (423)249-28-31	Коломна (4966)23-41-49	Омск (3812)21-46-40	Симферополь (3652)67-13-56	Хабаровск (4212)92-98-04
Владикавказ (8672)28-90-48	Кострома (4942)77-07-48	Орел (4862)44-53-42	Смоленск (4812)29-41-54	Чебоксары (8352)28-53-07
Владимир (4922)49-43-18	Краснодар (861)203-40-90	Оренбург (3532)37-68-04	Сочи (862)225-72-31	Челябинск (351)202-03-61
Волгоград (844)278-03-48	Красноярск (391)204-63-61	Пенза (8412)22-31-16	Ставрополь (8652)20-65-13	Череповец (8202)49-02-64
Вологда (8172)26-41-59	Курск (4712)77-13-04	Петрозаводск (8142)55-98-37	Сургут (3462)77-98-35	Чита (3022)38-34-83
Воронеж (473)204-51-73	Курган (3522)50-90-47	Псков (8112)59-10-37	Сыктывкар (8212)25-95-17	Якутск (4112)23-90-97
Екатеринбург (343)384-55-89	Липецк (4742)52-20-81		Тамбов (4752)50-40-97	Ярославль (4852)69-52-93

Россия +7(495)268-04-70

Казахстан +7(7172)727-132

Киргизия +996(312)96-26-47

www.fourwinds.nt-rt.ru | fse@nt-rt.ru

Технические характеристики на направляющие для полок и ящиков, дверные направляющие компании **Four Winds**

Виды товаров: скрытые направляющие, направляющие с одним выдвижным шарикоподшипником, направляющие подшипника полного выдвижения, нейлоновые роликовые слайды, дверные направляющие.

02-1 Undermount Concealed Slides

Undermount Concealed Slide - 5211 Series

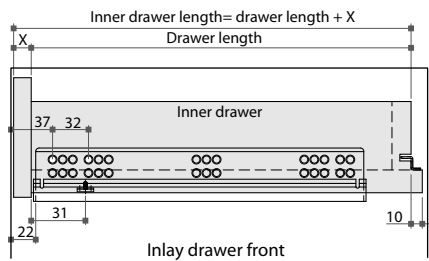
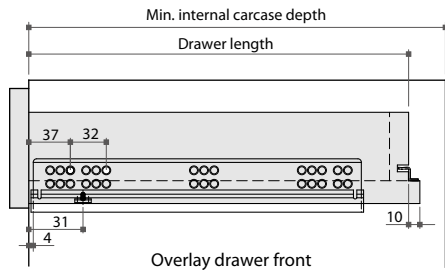
52110 soft-closing with cushion

52115 push-to-open

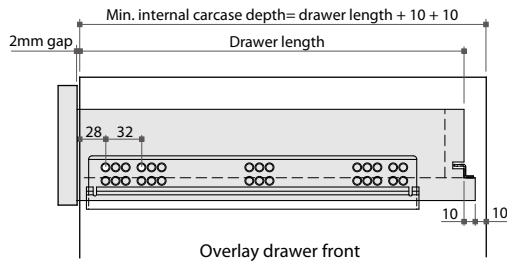
* Loading capacity: 30 kgs

* Full extension, tab mounting

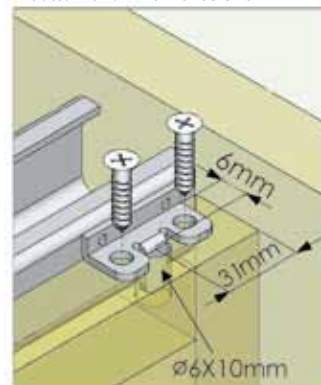
52110 soft-closing



52115 push-to-open



* Insert the tab in the wooden drawer bottom and fix it with screws



Item No.	Nominal runner length	Drawer length	Min. internal carcass depth for drawer standard	Over travel (inner)	Over travel	front edge of cabinet	
						Item No.	(Push-to-open)
52110-270	270	260	280	(298)	10		
52110-300	300	290	310	(328)	10		
52110-350	350	340	360	(378)	10		
52110-400	400	390	410	(428)	10		
52110-450	450	440	430	(478)	10		
52110-500	500	490	510	(528)	10		
52110-550	550	540	530	(578)	10		
52110-600	600	590	610	(628)	10		

unit: mm

02-1 Undermount Concealed Slides

Undermount Concealed Slide - 5212 Series

52120 soft-closing with cushion

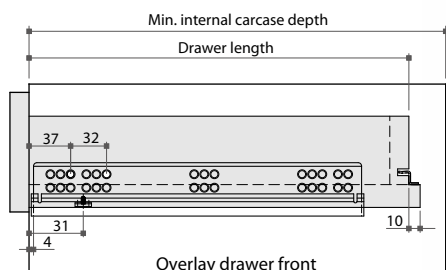
52125 push-to-open

* Loading capacity: 30 kgs

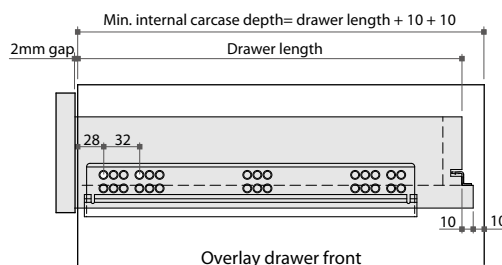
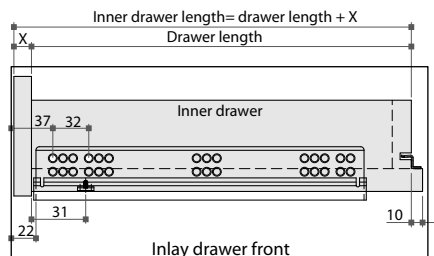
* Full extension, with clip-release latch



52120 soft-closing



52125 push-to-open



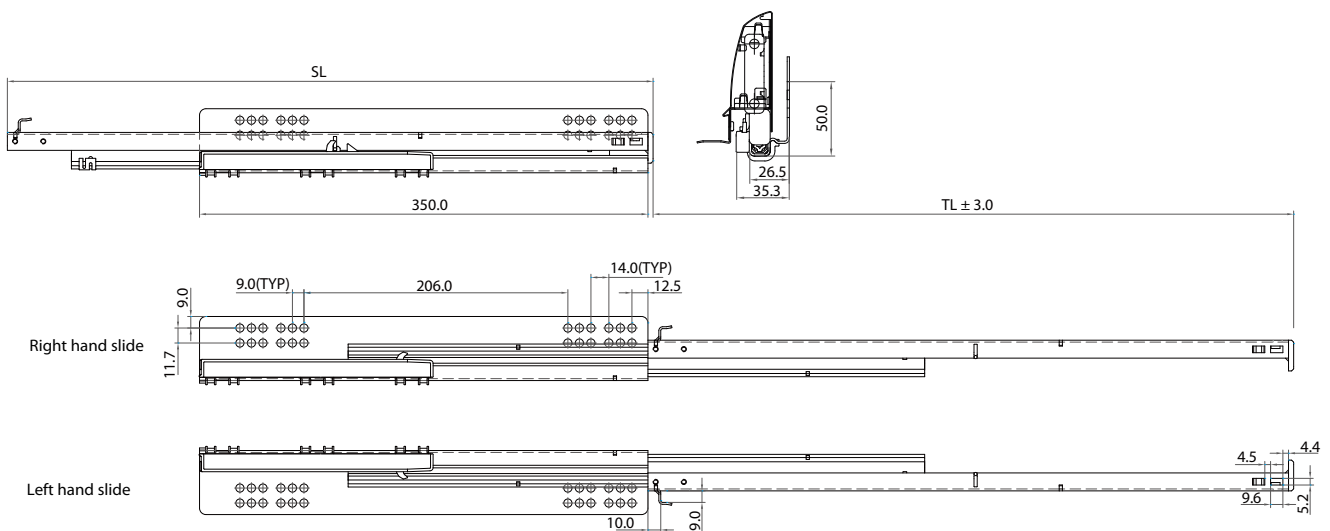
Item No.	Nominal runner length	Drawer length	Min. internal carcass depth for drawer standard	(inner)	Over travel	front edge of cabinet		
						Item No.	(Push-to-open)	
52120-270	270	260	280	(298)	10		52125-270	
52120-300	300	290	310	(328)	10		52125-300	
52120-350	350	340	360	(378)	10		52125-350	
52120-400	400	390	410	(428)	10		52125-400	
52120-450	450	440	430	(478)	10		52125-450	
52120-500	500	490	510	(528)	10		52125-500	
52120-550	550	540	530	(578)	10		52125-550	
52120-600	600	590	610	(628)	10		52125-600	

unit: mm

02-1 Undermount Concealed Slides

Undermount Concealed Wall Slide - 5205 Series

- * Loading capacity: 30 kgs (66 lbs) class
- * Full extension with wall drawer
- * Soft-closing with advanced damping mechanism
- * Adjustment of drawer front

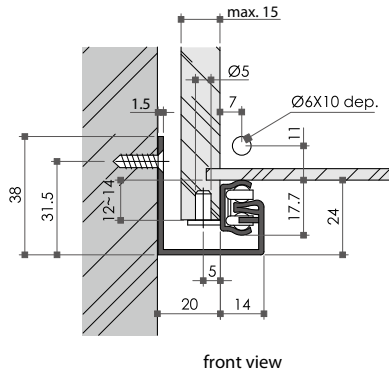


Item No.	Slide length (SL)	Travel length (TL)
5205-12	300mm	300mm
5205-14	350mm	350mm
5205-16	400mm	400mm
5205-18	450mm	450mm
5205-20	500mm	500mm
5205-22	550mm	550mm
5205-24	600mm	600mm
5205-26	650mm	650mm

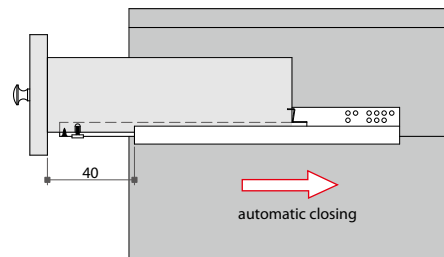
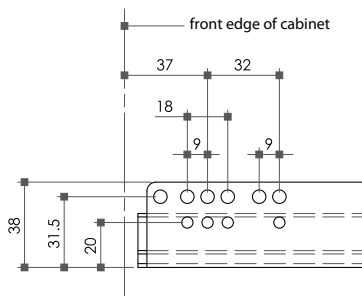
02-1 Undermount Concealed Slides

Undermount Concealed Slide - 5706 Series

- * Loading capacity: 25 kgs on 400mm slides
- * Single extension, tab and bolt mounting
- * Easy installation for wooden drawers, simply insert the bottom and back pins of slides into the predrilled holes of drawers



* Detailed mounting locations:



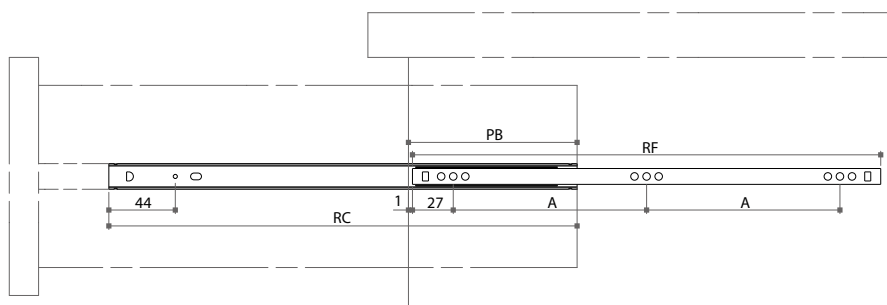
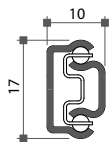
* Drawer close automatically at 40mm closing position on self-closing (SC) type slides

Item No.	Slide length	Travel length	front edge of cabinet	unit: mm
5706SC-300	300 (12")	253	6	199
5706SC-350	350 (14")	303		222
5706SC-400	400 (16")	353		264
5706SC-450	450 (18")	403		286
5706SC-500	500 (20")	453		318
5706SC-550	550 (22")	503		338
			37 32 128 160 192 224 256 267	

02-2 Single Extension Ball Bearing Slides

Single Extension Ball Bearing Slide - 5718 Series

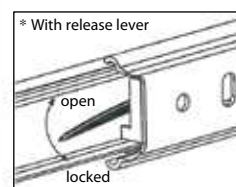
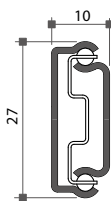
- * Loading capacity: 10 kgs (22 lbs)
- * Profile: 17x10mm
- * Steel, zinc plated
- * Fit 17mm W. drawer groove



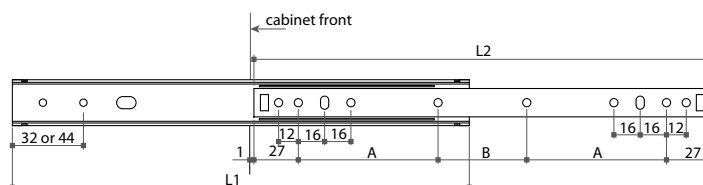
Item No.	Fits drawer L.	Cabinet rail (RF)	Drawer rail (RC)	Extension loss (PB)	Hole distance (A)
57181	350mm	350mm	246mm	76mm	96mm
57183	400mm	400mm	246mm	94mm	96mm
57185	450mm	450mm	310mm	94mm	160mm

Single Extension Ball Bearing Slide - 5736 Series

- * Loading capacity: 15 kgs (33 lbs)
- * Profile: 27x10mm
- * Material: cold rolled steel with carbon steel ball bearing
- * Finish: zinc, black electro-plated or white electro-coated
- * Fit 27mm W. drawer groove



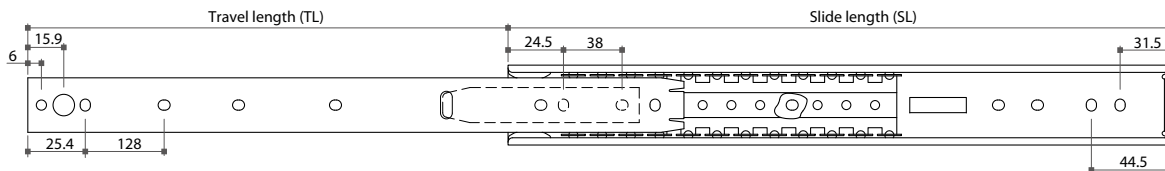
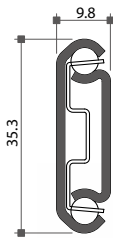
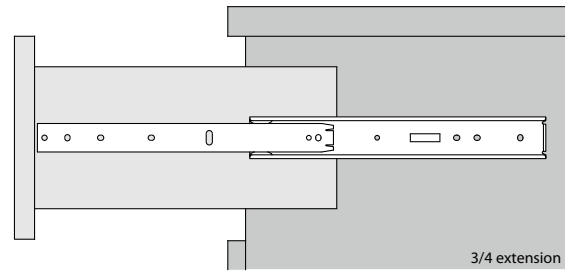
Item No.	Drawer length	L1/L2	A	B
5736-300	300mm	182mm	0	0
5736-350	350mm	214mm	64mm	32mm
5736-400	400mm	246mm	64mm	64mm
5736-450	450mm	278mm	64mm	96mm
5736-500	500mm	310mm	96mm	64mm
5736-550	550mm	342mm	96mm	96mm
5736-600	600mm	374mm	96mm	128mm
5736-650	650mm	406mm	96mm	160mm
5736-700	700mm	438mm	96mm	192mm



02-2 Single Extension Ball Bearing Slides

Single Extension Ball Bearing Slide - 5702 Series

- * Loading capacity: 22 kgs (50 lbs) class
- * Profile: 35.3x9.8mm
- * Installation: side mount
- * Finish: zinc or black zinc plated
- * Optional features: plastic lever for position stop

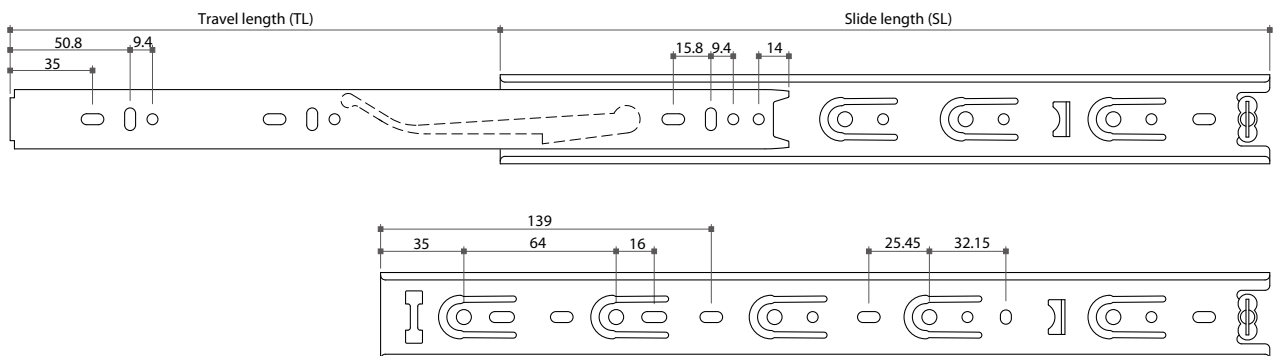
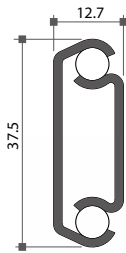
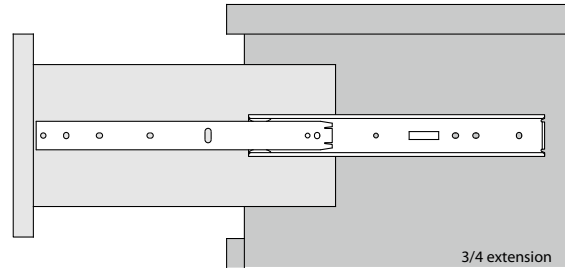


Item No.	Slide length (SL)	Travel length (TL)
5702-12	301.8mm	199.0mm
5702-14	352.6mm	249.5mm
5702-16	403.4mm	300.5mm
5702-18	454.2mm	330.5mm
5702-20	505.0mm	381.0mm
5702-22	555.8mm	406.0mm
5702-24	606.6mm	431.0mm

02-2 Single Extension Ball Bearing Slides

Single Extension Ball Bearing Slide - 5724 Series

- * Loading capacity: 34 kgs (75 lbs) class
- * Profile: 37.5x12.7mm
- * Installation: side mount
- * Finish: zinc or black zinc plated
- * Hold-in design to prevent bounce back
- * Optional features: quick release trigger for drawer removal



Item No.	Slide length (SL)	Travel length (TL)
5724-10	254.0mm	151mm
5724-12	304.8mm	225mm
5724-14	355.6mm	250mm
5724-16	406.4mm	295mm
5724-18	457.2mm	335mm
5724-20	508.0mm	375mm
5724-22	558.8mm	420mm
5724-24	609.6mm	455mm

02-3 Full Extension Ball Bearing Slides

Telescopic 37 Ball Bearing Slide - 5815 Series

5815 Regular type

5815SC Spring self-closing type

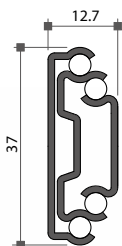
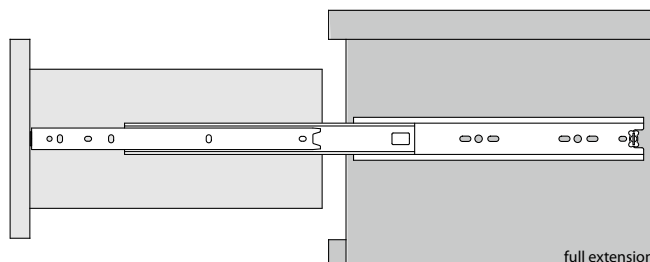
5815SFC Silent soft-closing type (with hydraulic damper)

* Loading capacity: 34 kgs (75 lbs) class

* Profile: 37x12.7mm

* Material: cold rolled steel with carbon steel ball bearing

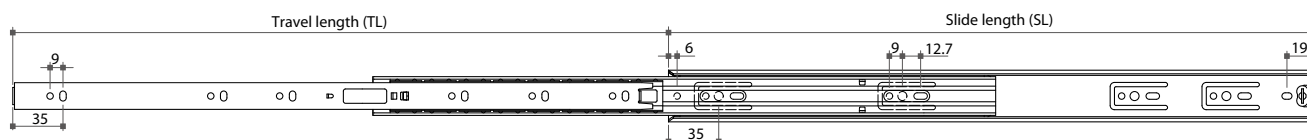
* For wooden drawer, side mount



5815 Regular

5815SC Spring self-closing

5815SFC Silent soft-closing



Item No.			Slide length (SL)	Travel length (TL)
Regular	Self-closing	Silent soft-closing		
5815-300	5815SC-300	5815SFC-300	300mm	303mm
5815-350	5815SC-350	5815SFC-350	350mm	353mm
5815-400	5815SC-400	5815SFC-400	400mm	403mm
5815-450	5815SC-450	5815SFC-450	450mm	453mm
5815-500	5815SC-500	5815SFC-500	500mm	503mm
5815-550	5815SC-550	5815SFC-550	550mm	553mm

02-3 Full Extension Ball Bearing Slides

Telescopic 46 Ball Bearing Slide - 5714 Series

5714 Regular type

5714DP Detent open type

5714SFC Silent soft-closing type (with damper)

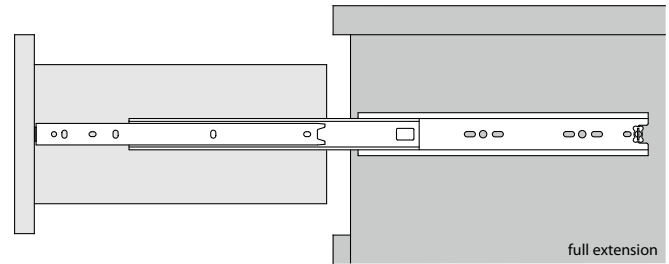
5714PTP Touch-to-open type (non-self-closing)

* Loading capacity: 45 kgs (100 lbs) class

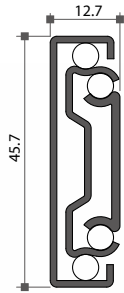
* Profile: 45.7x12.7mm

* Material: cold rolled steel with carbon steel ball bearing

* For wooden drawer, side mount



full extension

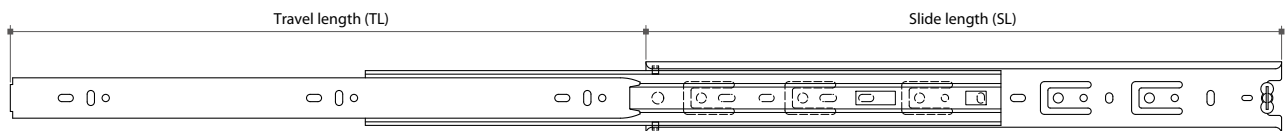


5714 Regular

5714DP Detent open

5714SFC Silent soft-closing

5714PTP Touch-to-open



5714 Regular type:

Item No.	SL	TL
5714-10	250.25mm	254.0mm
5714-12	300.25mm	304.8mm
5714-14	350.25mm	355.6mm
5714-16	400.25mm	406.4mm
5714-18	450.25mm	457.2mm
5714-20	500.25mm	508.0mm
5714-22	550.25mm	558.8mm
5714-24	600.25mm	609.6mm

5714DP Detent open type:

Item No.	SL	TL
5714DP-10	254.25mm	254.0mm
5714DP-12	305.05mm	304.8mm
5714DP-14	355.85mm	355.6mm
5714DP-16	406.65mm	406.4mm
5714DP-18	457.45mm	457.2mm
5714DP-20	508.25mm	508.0mm
5714DP-22	559.05mm	558.8mm
5714DP-24	609.85mm	609.6mm

5714SFC Silent soft-closing type:

Item No.	SL	TL
5714SFC-12	300mm	225mm
5714SFC-14	350mm	275mm
5714SFC-16	400mm	375mm
5714SFC-18	450mm	450mm
5714SFC-20	500mm	500mm
5714SFC-22	550mm	550mm
5714SFC-24	600mm	600mm

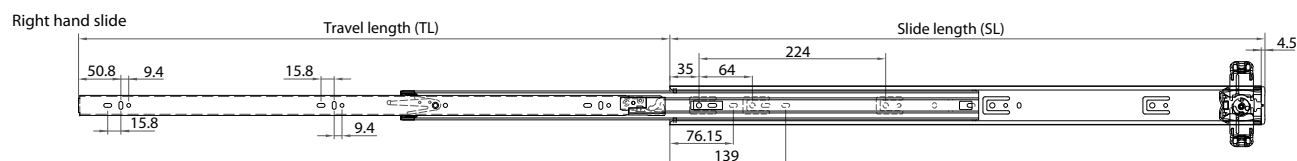
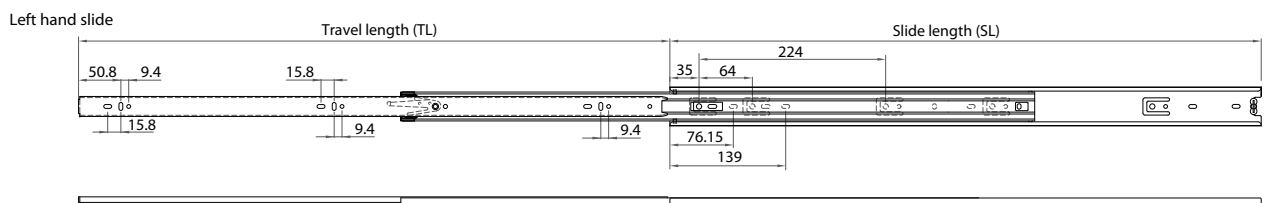
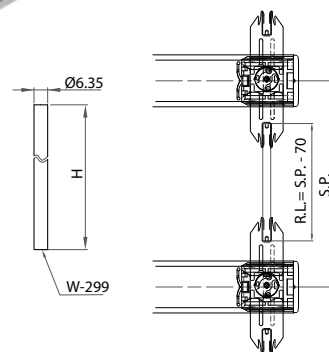
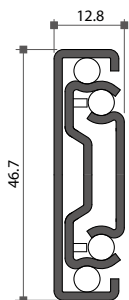
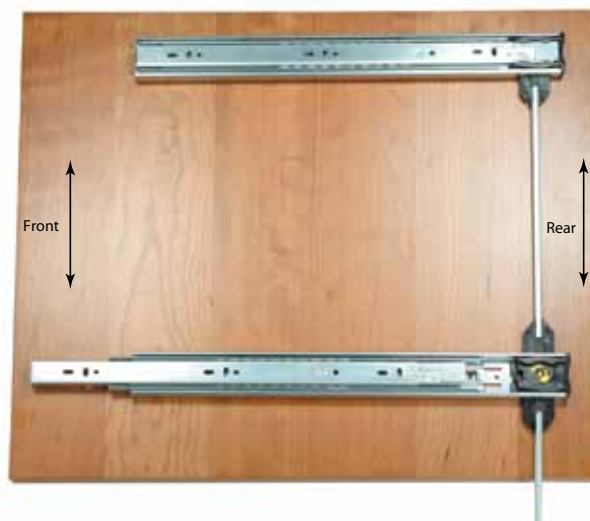
5714PTP Touch-to-open type:

Item No.	SL	TL
5714PTP-10	251mm	230.0mm
5714PTP-12	301mm	304.8mm
5714PTP-14	351mm	355.6mm
5714PTP-16	401mm	406.4mm
5714PTP-18	451mm	457.2mm
5714PTP-20	501mm	508.0mm
5714PTP-22	551mm	558.8mm
5714PTP-24	601mm	609.6mm

02-3 Full Extension Ball Bearing Slides

Rear Interlock Telescopic 47 Slide - 5811LK Series

- * Loading capacity: 45 kgs (100 lbs) class
- * Profile: 46.7x12.8mm
- * Installation: side mount
- * Application: wooden drawer
- * Finish: zinc or black zinc plated
- * Feature: rear interlock mechanism. Release trigger for quick drawer removal. Self-adjustment for side clearance by breather tab
- * Optional device: lock adapter



Item No.	SL	TL
5811LK-14	355.6mm	355.6mm
5811LK-16	406.4mm	406.4mm
5811LK-18	457.2mm	457.2mm
5811LK-20	508.0mm	508.0mm
5811LK-22	558.8mm	558.8mm
5811LK-24	609.6mm	609.6mm

02-3 Full Extension Ball Bearing Slides

Telescopic 55 Ball Bearing Slide - 5930 Series

5930 Regular type

5930DR Drop-close rail

5930SFC Silent soft-closing

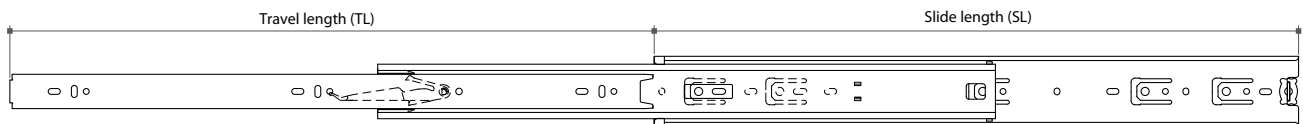
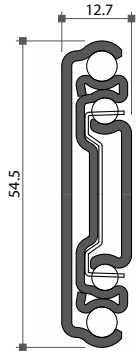
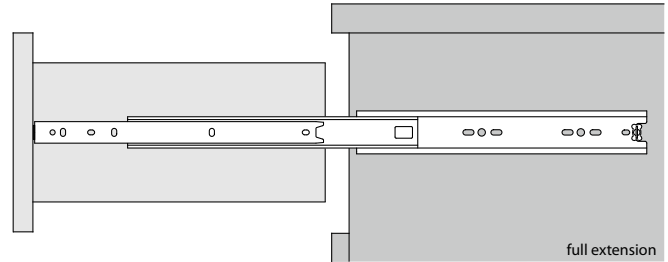
5930LK Rear interlock

* Loading capacity: 68 kgs (150 lbs) class

* Profile: 54.5x12.7mm

* Finish: zinc or black zinc plated

* For wooden drawer, side mount



5930 Regular type:

Item No.	SL	TL
5930-12	304.8mm	304.8mm
5930-14	355.6mm	355.6mm
5930-16	406.4mm	406.4mm
5930-18	457.2mm	457.2mm
5930-20	508.0mm	508.0mm
5930-22	558.8mm	558.8mm
5930-24	609.6mm	609.6mm

5930DR Drop-close rail type:

Item No.	SL	TL
5930DR-16	403.1mm	439.0mm
5930DR-18	455.0mm	490.8mm
5930DR-20	508.0mm	527.2mm
5930DR-22	555.7mm	574.8mm
5930DR-26	660.4mm	679.5mm

5930SFC Silent soft-closing type:

Item No.	SL	TL
5930SFC-14	350mm	284.4mm
5930SFC-16	400mm	357.0mm
5930SFC-18	450mm	430.4mm
5930SFC-20	500mm	505.0mm
5930SFC-22	550mm	555.0mm
5930SFC-24	600mm	605.0mm

5930LK Rear interlock type:

Item No.	SL	TL
5930LK-16	406.4mm	406.4mm
5930LK-18	457.2mm	457.2mm
5930LK-20	508.0mm	508.0mm
5930LK-22	558.8mm	558.8mm
5930LK-24	609.6mm	609.6mm
5930LK-26	660.4mm	660.4mm
5930LK-28	711.2mm	711.2mm

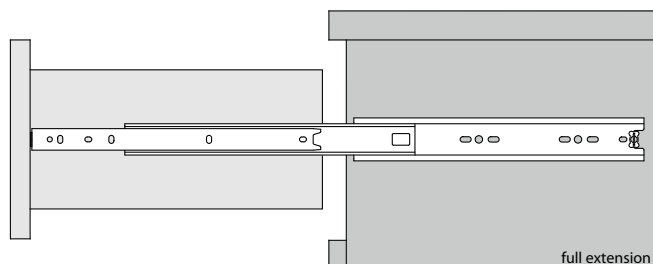
02-3 Full Extension Ball Bearing Slides

Telescopic 54 Ball Bearing Slide - 5970 Series

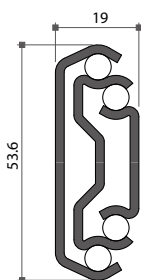
5970 Regular type

5970LK Front interlock

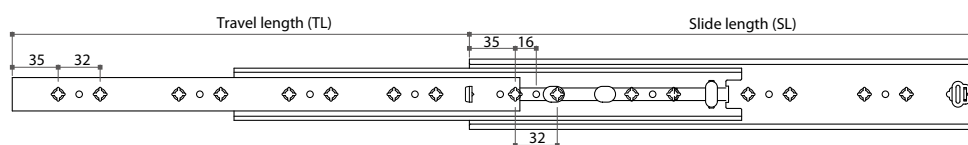
- * Loading capacity: 90 kgs (200 lbs) class
- * Profile: 53.6x19.0mm
- * Installation: wooden drawer, side mount
- * Finish: zinc or black zinc plated
- * Feature: hold/close function to prevent bounce back, over travel
- * For metal drawer (**5972** or **5972LK**)



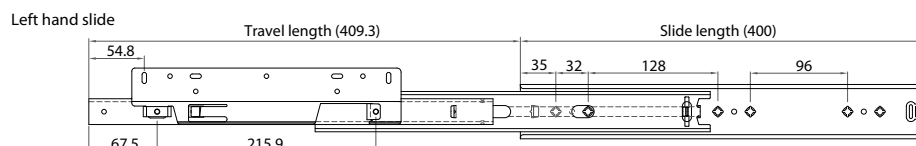
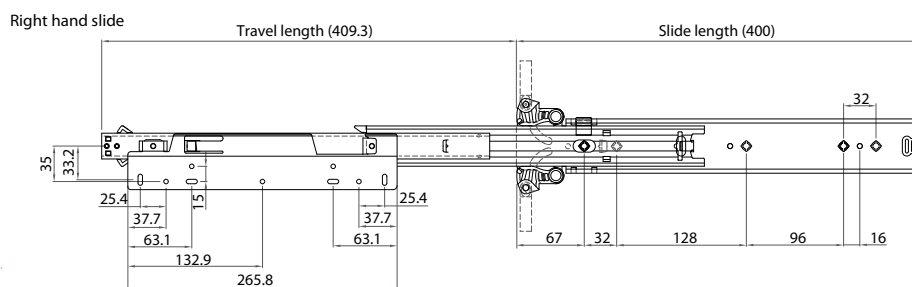
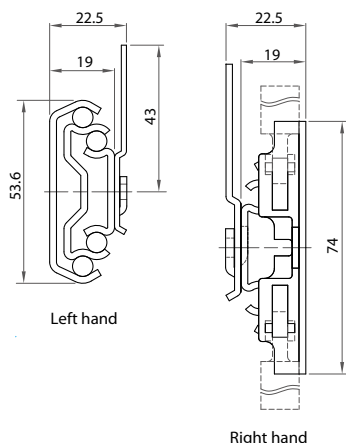
5970 Regular



Item No.	SL	TL
5970-12	300.25mm	328mm
5970-14	350.25mm	377mm
5970-16	400.25mm	426mm
5970-18	450.25mm	475mm
5970-20	500.25mm	525mm
5970-22	550.25mm	574mm
5970-24	600.25mm	623mm



5970LK Front interlock



Item No.	SL	TL
5970LK-400	400mm	409.3mm

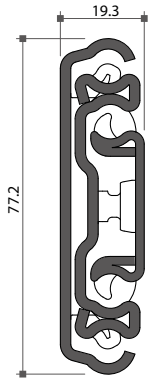
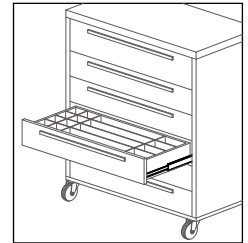
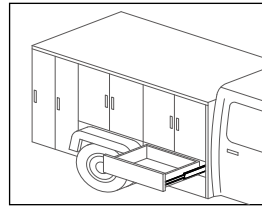
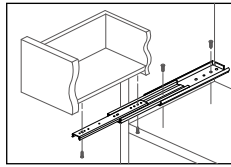
02-3 Full Extension Ball Bearing Slides

Super Heavy Duty Telescopic Slide - 5980 Series

5980 Regular type

5980LN With lock in & out mechanism

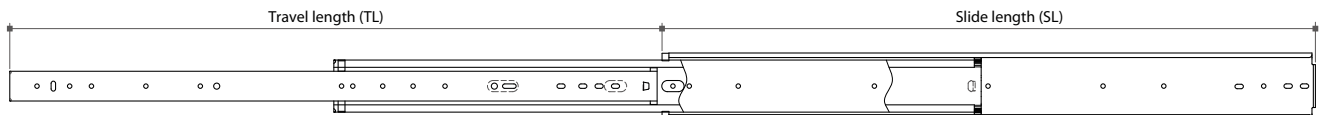
- * Loading capacity: 180 kgs (400 lbs) class
- * Profile: 77.2x19.0mm
- * Installation: side mount or flat mount
- * Finish: zinc or black zinc plated
- * Feature: extremely silent movement with silencer bumpers



5980 Regular



5980LN W/lock in & out mechanism



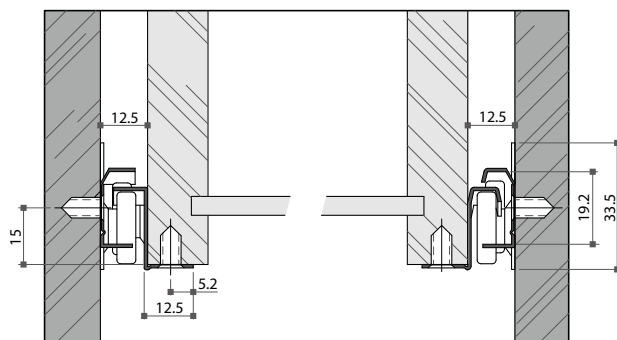
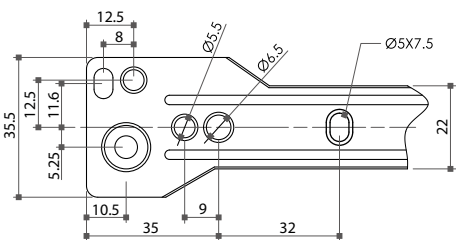
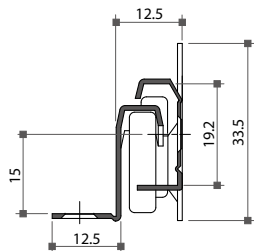
Item No.		Slide length (SL)	Travel length (TL)
Regular	W/lock in & out		
5980-16	5980LN-16	406.4mm	406.4mm
5980-18	5980LN-18	457.2mm	457.2mm
5980-20	5980LN-20	508.0mm	508.0mm
5980-22	5980LN-22	558.8mm	558.8mm
5980-24	5980LN-24	609.6mm	609.6mm
5980-26	5980LN-26	660.4mm	660.4mm
5980-28	5980LN-28	711.2mm	711.2mm
5980-30	5980LN-30	762.0mm	762.0mm

* Up to 72" (1,828mm) slide length

02-4 Nylon Roller Slides

Roller Drawer Slides - 57342 Series

- * Loading capacity: 25 kgs
- * Single-way extension, bottom mount, self-closing
- * Steel, 1.2mm thickness, epoxy powder coated, in white, beige or black
- * With derlin plastic rollers, economical version



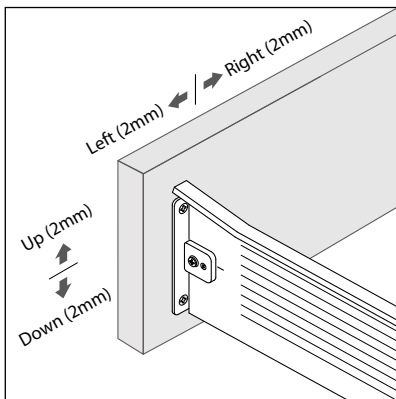
Item No.	Drawer length	Cabinet Front	unit: mm
57342-250	250 (10")		
57342-300	300 (12")		
57342-350	350 (14")		
57342-400	400 (16")		
57342-450	450 (18")		
57342-500	500 (20")		
57342-550	550 (22")		

02-4 Nylon Roller Slides

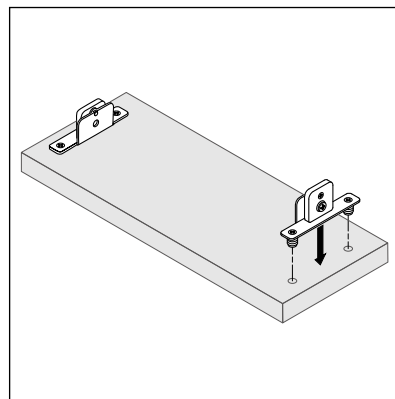
Roller Slides Drawer System

- 5604C** Drawer height: 54mm
- 5605C** Drawer height: 86mm
- 5606C** Drawer height: 118mm
- 5607C** Drawer height: 150mm

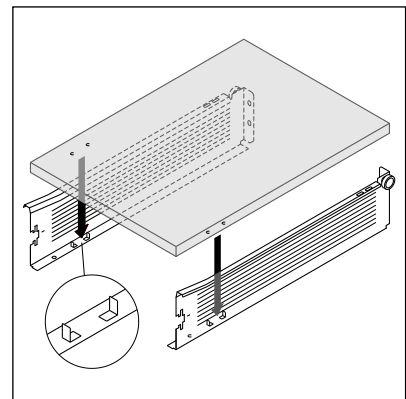
- * Loading capacity: 25 kgs
- * With derlin rollers, self-closing
- * Cold rolled steel, 1.2mm thickness, epoxy powder coated in white or silver gray
- * Front connector with adjustable cam facilitates appropriate drawer assembly



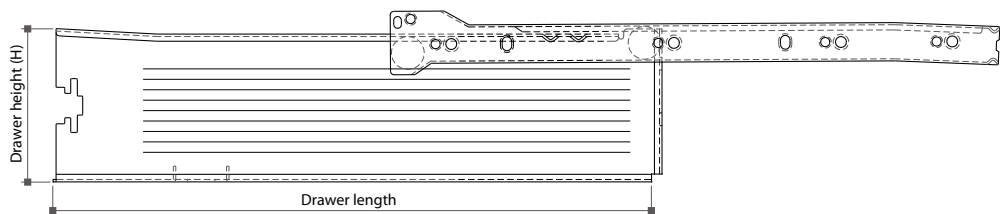
● Cam adjustment of drawer front



● Quick-fix drawer front



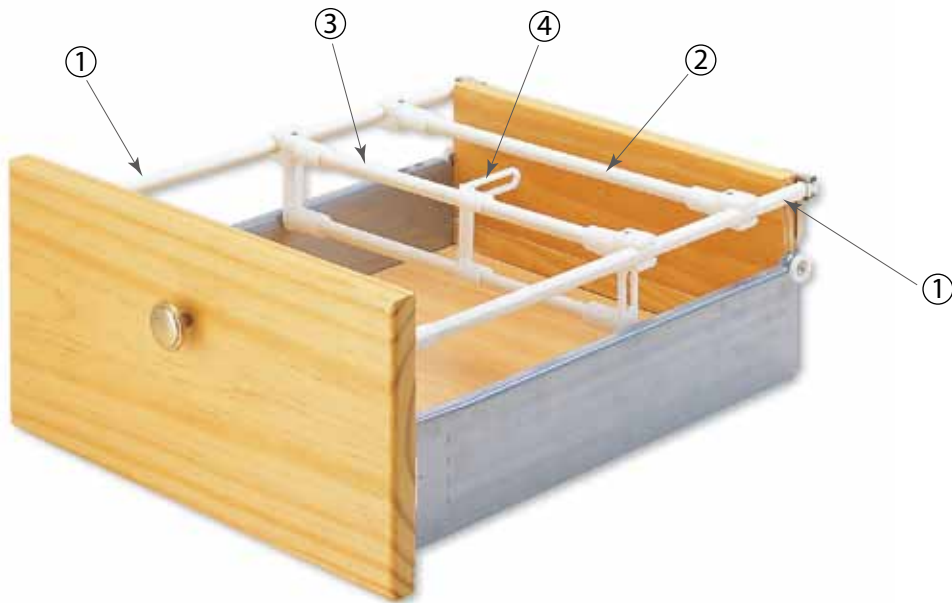
● Quick-fix drawer bottom



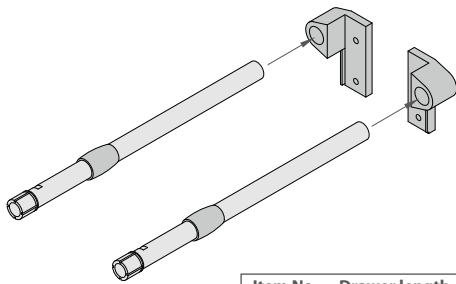
Item No.				Drawer length	Extension loss
Drawer height (H)					
54mm	86mm	118mm	150mm		
5604C-270	5605C-270	5606C-270	5607C-270	270mm	85mm
5604C-350	5605C-350	5606C-350	5607C-350	350mm	85mm
5604C-400	5605C-400	5606C-400	5607C-400	400mm	85mm
5604C-450	5605C-450	5606C-450	5607C-450	450mm	95mm
5604C-500	5605C-500	5606C-500	5607C-500	500mm	102mm
5604C-550	5605C-550	5606C-550	5607C-550	550mm	110mm

02-4 Nylon Roller Slides

Railing system, for metal drawer with height of 85, 118 & 150mm

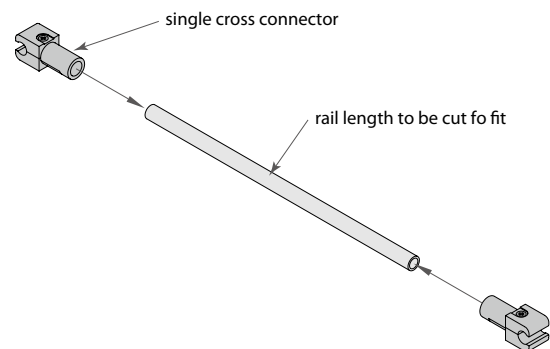


① Side rail set
SRW - for wooden back

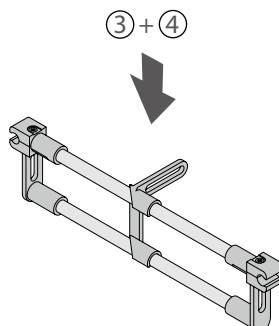
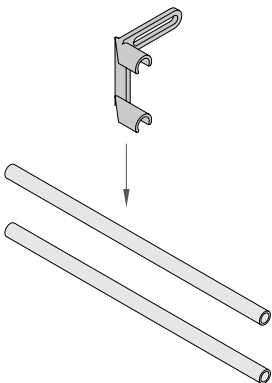


Item No.	Drawer length	Rail length
SRW-350	350mm	327mm
SRW-400	400mm	377mm
SRW-450	450mm	427mm
SRW-500	500mm	477mm
SRW-550	550mm	527mm

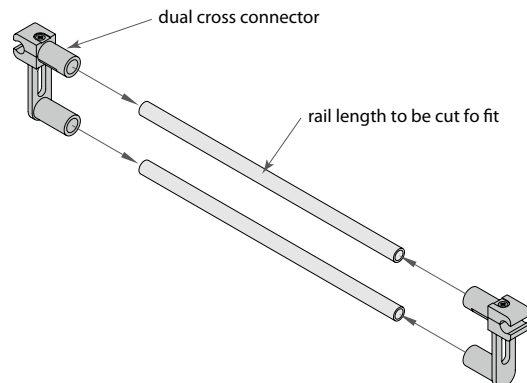
② Single cross rail
CR01 - With 2 connectors



④ Dual cross divider
CR06



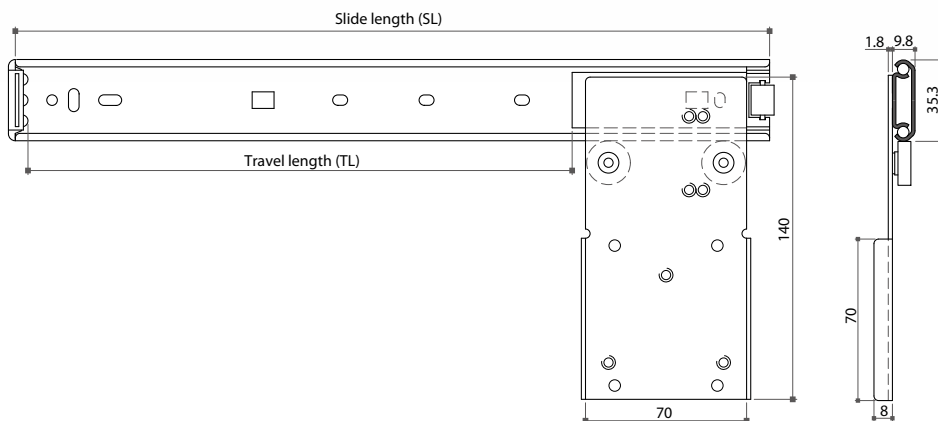
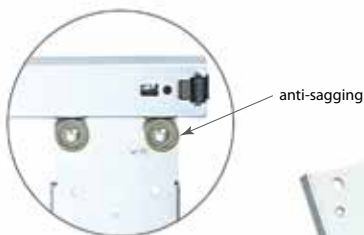
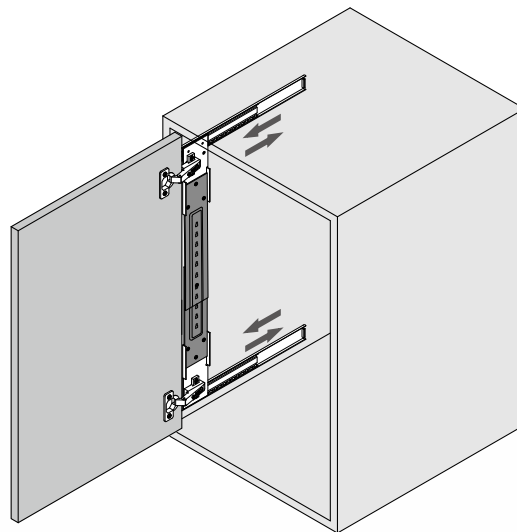
③ Dual cross rail
CR02 - With 2 connectors



02-5 Pocket & Flipper Door Slides

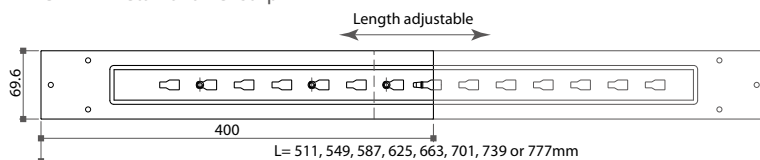
Pocket Door Slide - 5721 Series

- * Loading capacity: 11 kgs (25 lbs)
- * Material: steel
- * Side clearance: minimum 1/16"(1.5mm) between door and cabinet
- * Anti-sagging support
- * Can be mounted with metal follower strip **MFS-721**
- * Suitable with full overlay Ø35mm cup hinges
- * Finish: zinc or black zinc plated
- * Optional accessory: door roller guide



Item No.	Slide length (SL)	Travel length (TL)
5721-12	301.8mm	199.0mm
5721-14	352.6mm	249.5mm
5721-16	403.4mm	300.5mm
5721-18	454.2mm	330.5mm
5721-20	505.0mm	381.0mm
5721-22	555.8mm	406.0mm
5721-24	606.6mm	431.0mm

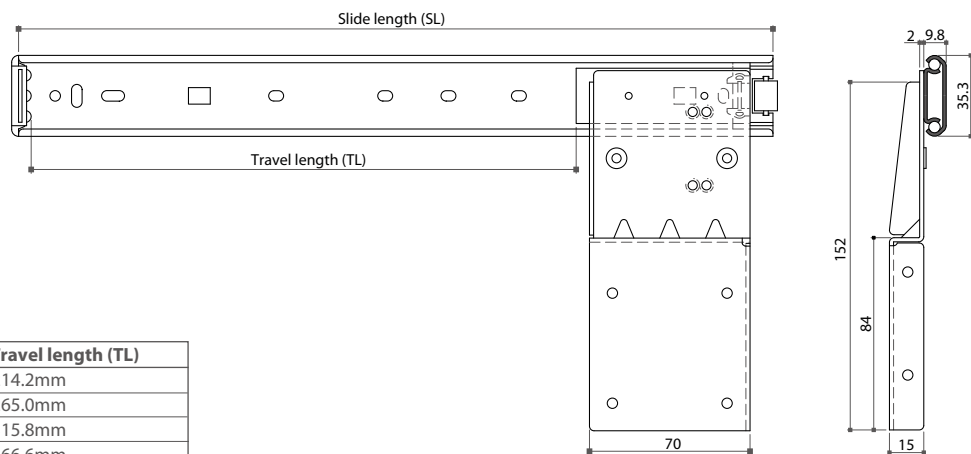
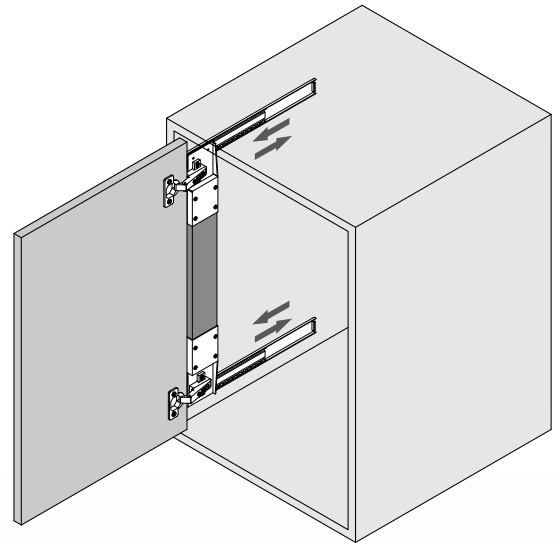
MFS-721 Metal follower strip



02-5 Pocket & Flipper Door Slides

Pocket Door Slide - 5727 Series

- * Loading capacity: 11 kgs (25 lbs)
- * Material: steel
- * Side clearance: minimum 1/16" (1.5mm) between door and cabinet
- * Anti-sagging support
- * Can be mounted with wooden follower strip of 16mm thickness
- * Suitable with full overlay Ø35mm cup hinges
- * Finish: zinc or black zinc plated
- * Optional accessory: door roller guide

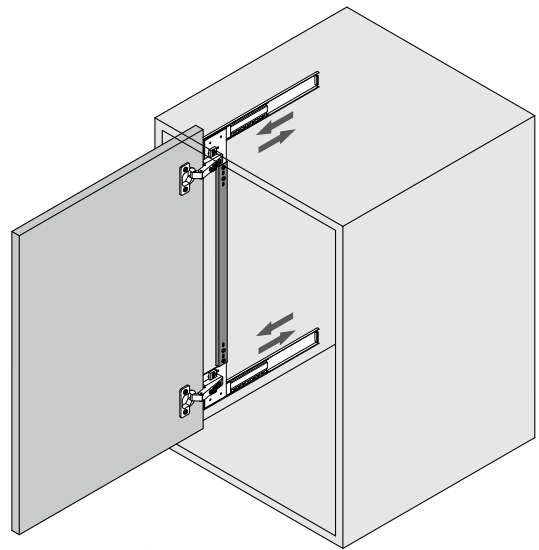


Item No.	Slide length (SL)	Travel length (TL)
5727-12	302.05mm	214.2mm
5727-14	352.85mm	265.0mm
5727-16	403.65mm	315.8mm
5727-18	454.45mm	366.6mm
5727-20	505.25mm	417.4mm
5727-22	556.05mm	468.2mm
5727-24	606.85mm	519.0mm
5727-26	657.65mm	569.8mm

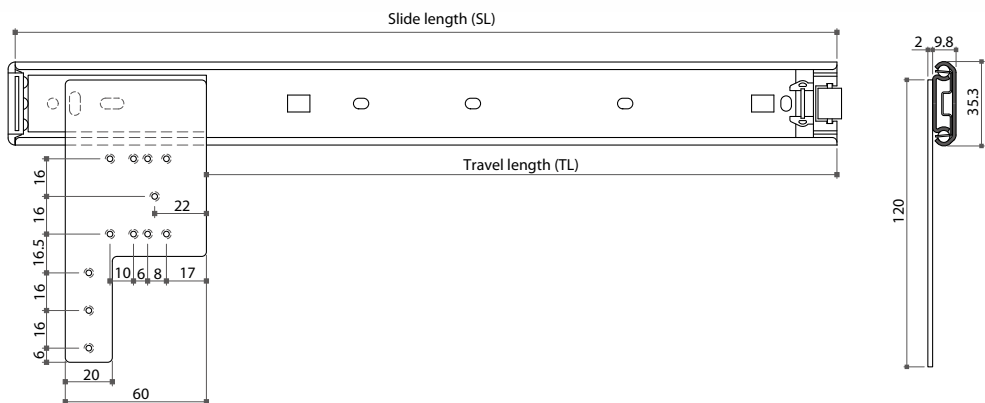
02-5 Pocket & Flipper Door Slides

Pocket Door Slide - 5716 Series

- * Loading capacity: 9 kgs (20 lbs)
- * Material: steel
- * Side clearance: minimum 1/16"(1.5mm) between door and cabinet
- * Anti-sagging support
- * Can be mounted with metal follower strip **MFS-716**
- * Suitable with full overlay Ø35mm cup hinges
- * Finish: zinc or black zinc plated
- * Optional accessory: door roller guide

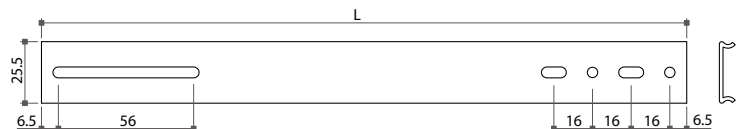


MFS-716



Item No.	Slide length (SL)	Travel length (TL)
5716-12	302.05mm	210.9mm
5716-14	352.85mm	261.7mm
5716-16	403.65mm	312.5mm
5716-18	454.45mm	363.3mm
5716-20	505.25mm	414.1mm
5716-22	556.05mm	464.9mm
5716-24	606.85mm	515.70mm
5716-26	657.65mm	566.5mm

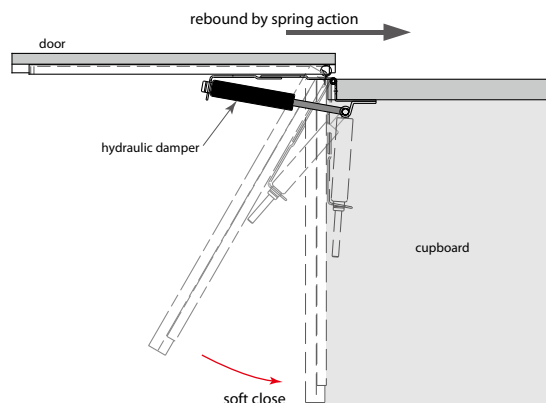
MFS-716 Metal follower strip
* L= 400 ~ 800mm by 50mm increment



02-5 Pocket & Flipper Door Slides

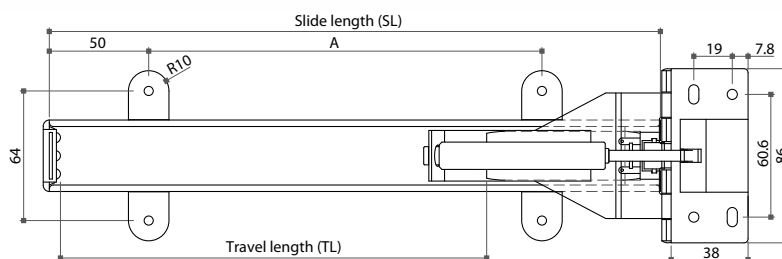
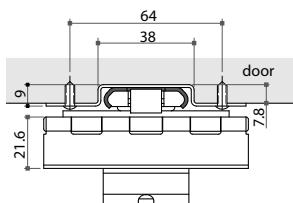
Pocket Door Slide - 5785 / 5786S Series

- * Loading capacity: 9 kgs (20 lbs)
- * Side clearance: 3/8" (9.8mm)
- * For overhead storage, with door opening over the top of cabinet
- * With offset butt hinge for 19mm (3/4") thick wooden door
- * To allow the door close softly by hydraulic damper
- * Finish: zinc or black zinc plated
- * Optional accessory: plastic cover cap (578CP) for damper



5785 series

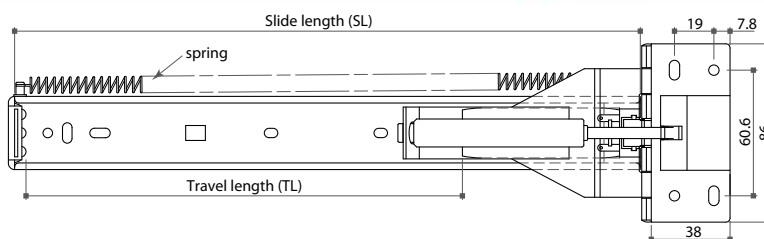
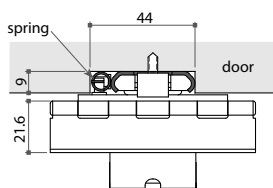
- * With mounting brackets
- * Groove size: 38x8mm



Item No.	SL	TL	A
5785-12	302.05mm	214.2mm	192mm
5785-14	352.85mm	265.0mm	256mm
5785-16	403.65mm	315.8mm	320mm

5786S series

- * Groove size: 44x9mm



Item No.	SL	TL
5786S-12	302.05mm	214.2mm
5786S-14	352.85mm	265.0mm
5786S-16	403.65mm	315.8mm

578CP Plastic Cover Cap

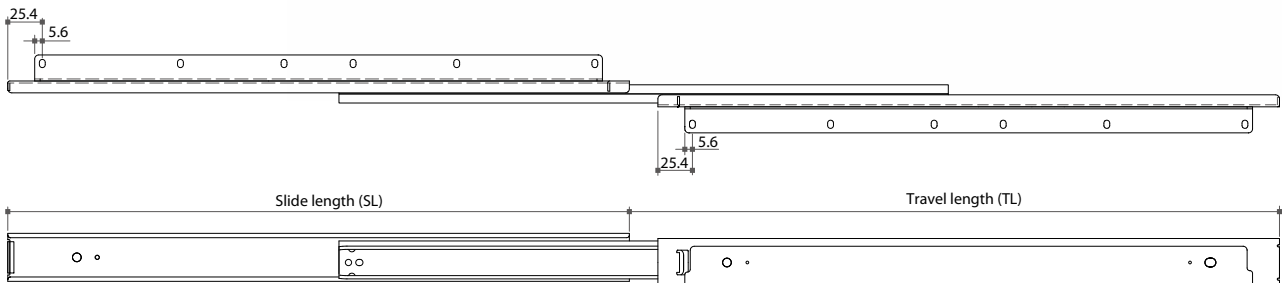
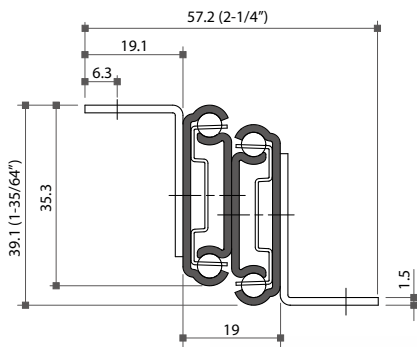
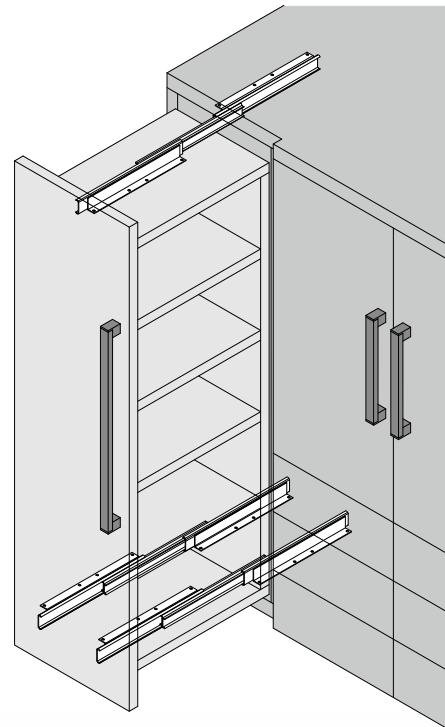
- * Black or silver gray



02-5 Pocket & Flipper Door Slides

Pull-Out Pantry Slides - 5626 Series

- * Loading capacity: 59 kgs (130 lbs) class
- * With mounting brackets at both sides for top and bottom mount
- * With hold-in detent
- * Steel ball bearing full extension, 22mm over travel
- * Finish: zinc or black zinc electro-plated
- * For slide-out pantry units, TV shelves, store fixtures and institutional furniture applications



Item No.	Slide length (SL)	Travel length (TL)
5626-12	304.8mm	325.9mm
5626-14	355.6mm	376.7mm
5626-16	406.4mm	427.5mm
5626-18	457.2mm	478.3mm
5626-20	508.0mm	529.1mm
5626-22	558.8mm	579.9mm
5626-24	609.6mm	630.7mm
5626-26	660.4mm	681.5mm
5626-28	711.2mm	732.3mm

Алматы (7273)495-231
Ангарск (3955)60-70-56
Архангельск (8182)63-90-72
Астрахань (8512)99-46-04
Барнаул (3852)73-04-60
Белгород (4722)40-23-64
Благовещенск (4162)22-76-07
Брянск (4832)59-03-52
Владивосток (423)249-28-31
Владикавказ (8672)28-90-48
Владимир (4922)49-43-18
Волгоград (844)278-03-48
Вологда (8172)26-41-59
Воронеж (473)204-51-73
Екатеринбург (343)384-55-89

Иваново (4932)77-34-06
Ижевск (3412)26-03-58
Иркутск (395)279-98-46
Казань (843)206-01-48
Калининград (4012)72-03-81
Калуга (4842)92-23-67
Кемерово (3842)65-04-62
Киров (8332)68-02-04
Коломна (4966)23-41-49
Кострома (4942)77-07-48
Краснодар (861)203-40-90
Красноярск (391)204-63-61
Курск (4712)77-13-04
Курган (3522)50-90-47
Липецк (4742)52-20-81

Магнитогорск (3519)55-03-13
Москва (495)268-04-70
Мурманск (8152)59-64-93
Набережные Челны (8552)20-53-41
Нижний Новгород (831)429-08-12
Новокузнецк (3843)20-46-81
Ноябрьск (3496)41-32-12
Новосибирск (383)227-86-73
Омск (3812)21-46-40
Орел (4862)44-53-42
Оренбург (3532)37-68-04
Пенза (8412)22-31-16
Петрозаводск (8142)55-98-37
Псков (8112)59-10-37

Пермь (342)205-81-47
Ростов-на-Дону (863)308-18-15
Рязань (4912)46-61-64
Самара (846)206-03-16
Саранск (8342)22-96-24
Санкт-Петербург (812)309-46-40
Саратов (845)249-38-78
Севастополь (8692)22-31-93
Симферополь (3652)67-13-56
Смоленск (4812)29-41-54
Сочи (862)225-72-31
Ставрополь (8652)20-65-13
Сургут (3462)77-98-35
Сыктывкар (8212)25-95-17
Тамбов (4752)50-40-97

Тверь (4822)63-31-35
Тольятти (8482)63-91-07
Томск (3822)98-41-53
Тула (4872)33-79-87
Тюмень (3452)66-21-18
Ульяновск (8422)24-23-59
Улан-Удэ (3012)59-97-51
Уфа (347)229-48-12
Хабаровск (4212)92-98-04
Чебоксары (8352)28-53-07
Челябинск (351)202-03-61
Череповец (8202)49-02-64
Чита (3022)38-34-83
Якутск (4112)23-90-97
Ярославль (4852)69-52-93

Россия +7(495)268-04-70

Казахстан +7(7172)727-132

Киргизия +996(312)96-26-47

www.fourwinds.nt-rt.ru | | fse@nt-rt.ru