

Алматы (7273)495-231
Ангарск (3955)60-70-56
Архангельск (8182)63-90-72
Астрахань (8512)99-46-04
Барнаул (3852)73-04-60
Белгород (4722)40-23-64
Благовещенск (4162)22-76-07
Брянск (4832)59-03-52
Владивосток (423)249-28-31
Владикавказ (8672)28-90-48
Владимир (4922)49-43-18
Волгоград (844)278-03-48
Вологда (8172)26-41-59
Воронеж (473)204-51-73
Екатеринбург (343)384-55-89

Иваново (4932)77-34-06
Ижевск (3412)26-03-58
Иркутск (395)279-98-46
Казань (843)206-01-48
Калининград (4012)72-03-81
Калуга (4842)92-23-67
Кемерово (3842)65-04-62
Киров (8332)68-02-04
Коломна (4966)23-41-49
Кострома (4942)77-07-48
Краснодар (861)203-40-90
Красноярск (391)204-63-61
Курск (4712)77-13-04
Курган (3522)50-90-47
Липецк (4742)52-20-81

Магнитогорск (3519)55-03-13
Москва (495)268-04-70
Мурманск (8152)59-64-93
Набережные Челны (8552)20-53-41
Нижний Новгород (831)429-08-12
Новокузнецк (3843)20-46-81
Ноябрьск (3496)41-32-12
Новосибирск (383)227-86-73
Омск (3812)21-46-40
Орел (4862)44-53-42
Оренбург (3532)37-68-04
Пенза (8412)22-31-16
Петрозаводск (8142)55-98-37
Псков (8112)59-10-37

Пермь (342)205-81-47
Ростов-на-Дону (863)308-18-15
Рязань (4912)46-61-64
Самара (846)206-03-16
Саранск (8342)22-96-24
Санкт-Петербург (812)309-46-40
Саратов (845)249-38-78
Севастополь (8692)22-31-93
Симферополь (3652)67-13-56
Смоленск (4812)29-41-54
Сочи (862)225-72-31
Ставрополь (8652)20-65-13
Сургут (3462)77-98-35
Сыктывкар (8212)25-95-17
Тамбов (4752)50-40-97

Тверь (4822)63-31-35
Тольятти (8482)63-91-07
Томск (3822)98-41-53
Тула (4872)33-79-87
Тюмень (3452)66-21-18
Ульяновск (8422)24-23-59
Улан-Удэ (3012)59-97-51
Уфа (347)229-48-12
Хабаровск (4212)92-98-04
Чебоксары (8352)28-53-07
Челябинск (351)202-03-61
Череповец (8202)49-02-64
Чита (3022)38-34-83
Якутск (4112)23-90-97
Ярославль (4852)69-52-93

Россия +7(495)268-04-70

Казахстан +7(7172)727-132

Киргизия +996(312)96-26-47

www.fourwinds.nt-rt.ru | | fse@nt-rt.ru

Технические характеристики на офисные принадлежности компании **Four Winds**

Виды товаров: кронштейны для мониторов, экранов, лотки для клавиатуры, кабельные организаторы, ящики для ноутбуков, панели управления питанием, удлинители офисные, держатели CD/DVD, держатели для телевизора и др.

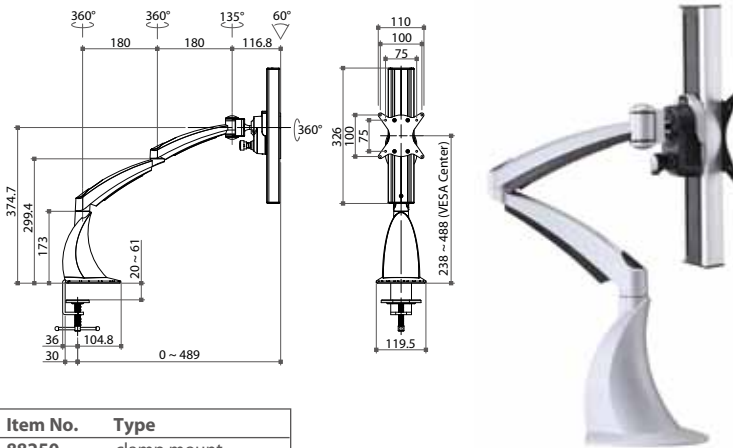
16-1 Monitor Arms

LA-Ergo LCD Monitor Arm

- * Desktop type, grommet mount (Ø8mm drillhole) or clamp mount
- * Single or double monitor arms with quick release design, with 75/100mm VESA bracket
- * Duple arm
- * 250mm vertical height adjustment
- * With 360° rotation and 60° tilt movements



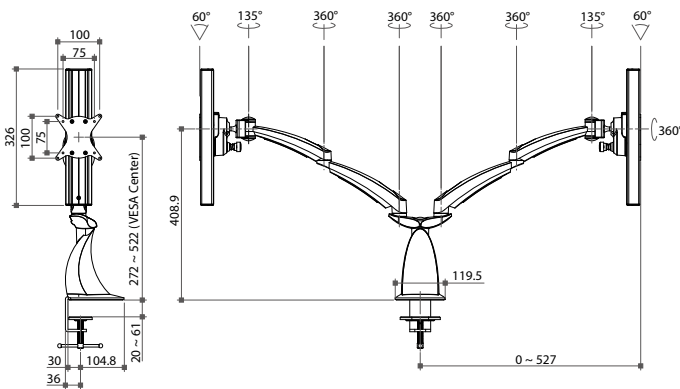
Single Monitor Arm



Key release function selectable

| Item No. | Type |
|----------|---------------|
| 88250 | clamp mount |
| 88251 | grommet mount |

Double Monitor Arms



| Item No. | Type |
|----------|---------------|
| 88260 | clamp mount |
| 88261 | grommet mount |



1 ~ 2 Cable management

3 Lock button



4 Quick release button

5 Grommet mount

6 Clamp mount

16-1 Monitor Arms

Butterfly LCD Monitor Arm

- * Duple arm, desktop type, grommet mount or clamp mount
- * Single-monitor or multi-monitor models available
- * Ball joint with 360° rotation & $\pm 30^\circ$ tilt movement with 75/100mm VESA bracket
- * Post with ratchet for ideal position
- * Aluminium construction



■ Cable management



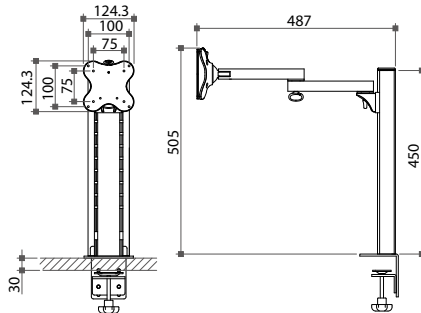
■ Quick release



■ Anti-theft kit



1-monitor model



| Item No. | Type |
|----------|---------------|
| 88270 | clamp mount |
| 88271 | grommet mount |



89271

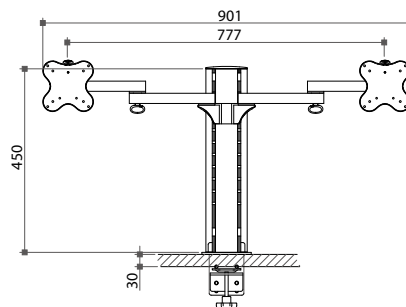
Grommet mount



Clamp mount



2-monitors model

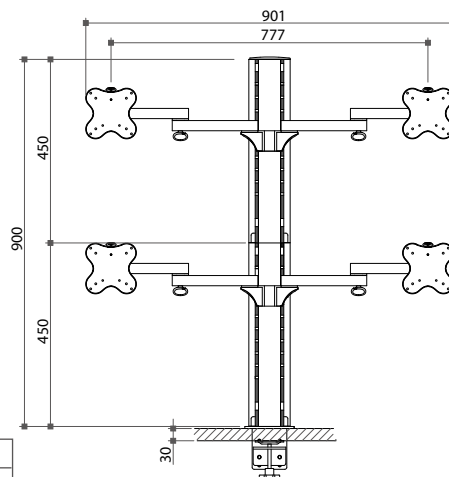


| Item No. | Type |
|----------|---------------|
| 88280 | clamp mount |
| 88281 | grommet mount |

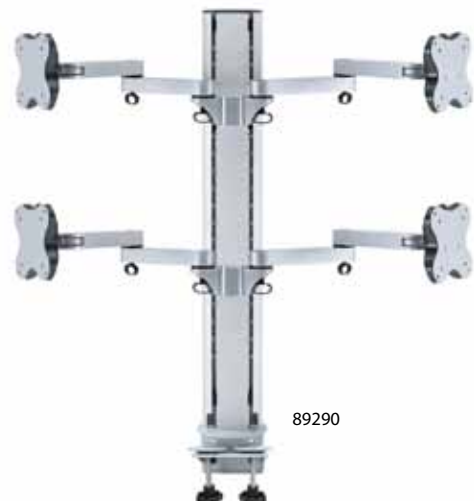


89280

4-monitors model



| Item No. | Type |
|----------|---------------|
| 88290 | clamp mount |
| 88291 | grommet mount |

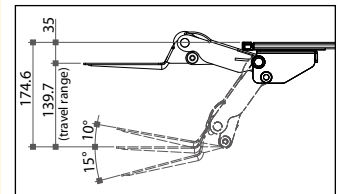
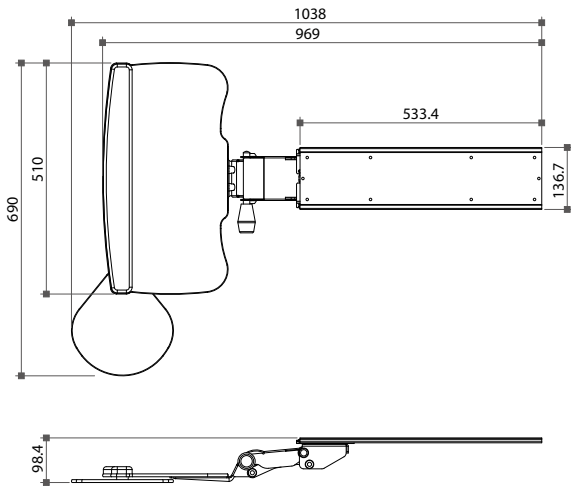


89290

16-3 Keyboard Trays

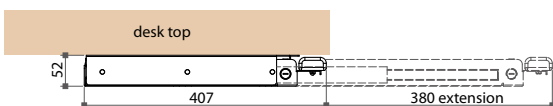
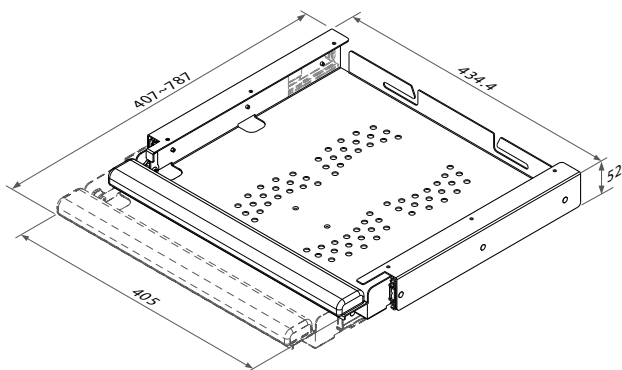
89930 Keyboard Arm and Tray

- * With keyboard tray and mouse pad
- * Easy height adjustment of 146mm by finger, and $\pm 15^\circ$ tilt by handle lever
- * Rotation 360°
- * To be mounted under worktable (desk top), meets ANSI/BIFMA x 5.5 standard



89401 Notebook Drawer

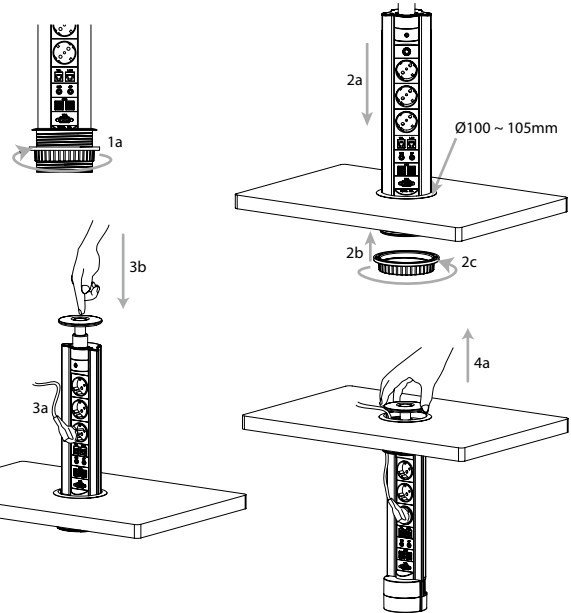
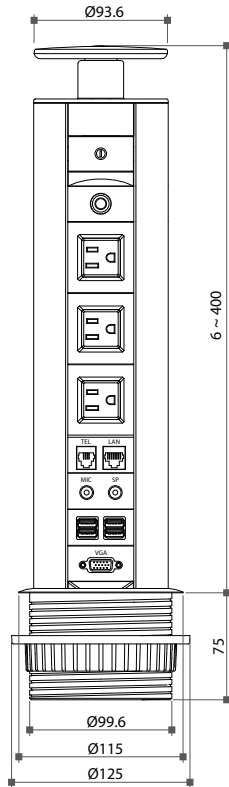
- * To be mounted under desk top
- * With full extension ball bearing slide and a cam lock to secure notebook



16-4 Cable Organizers

89622 Vertical E-Bar Power Station

- * Consists of three sockets, TEL / LAN and 2 USB, 1 VGA, 1 MIC / SP, 1 miniature circuit breaker, and on/off switch
- * Aluminium (matt silver) and plastic (black) combination
- * Mounting into $\text{Ø}100 \sim 105\text{mm}$ drillhole
- * Push the top cap, and pull up projected E-bar for use



16-4 Cable Organizers

E-bar Power Management

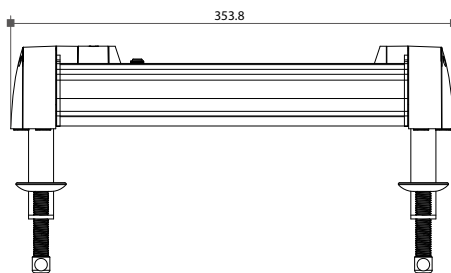
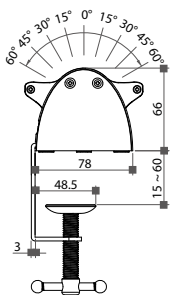
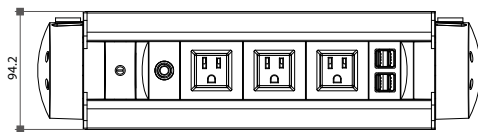
- * Flexible to meet different requirements of power supply
- * Various sockets for option:
AC 100V & 240V (for U.S. , U.K. ,CE...etc), TEL / LAN, USB and VGA
- * Other details are as below:



| | |
|--|----------------------------------------------------------------------------------|
| | SWITCH: ON/OFF switch illuminated with two red dots |
| | SOCKET: AC 240V/50HZ, 5A 1200W |
| | TEL / LAN: Computer connection interface for 4-pin telephone / 8-pin line |
| | USB: Connection of standard commercial four USB-appliances |
| | MIC: Computer connection interface for 3.5 £X speaker / microphone |
| | VGA: Computer connection VGA 15-pin HDD jack monitor |
| | Miniature circuit breaker |
| | LAN: RJ45 x2 |

89625 Horizontal E-Bar Power Station

- * Consists of three sockets, TEL / LAN and on/off switch
- * Material: aluminium case (matt silver) and plastic (black)
- * Mounting on desk top



16-5 Media Storage

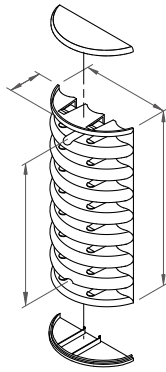
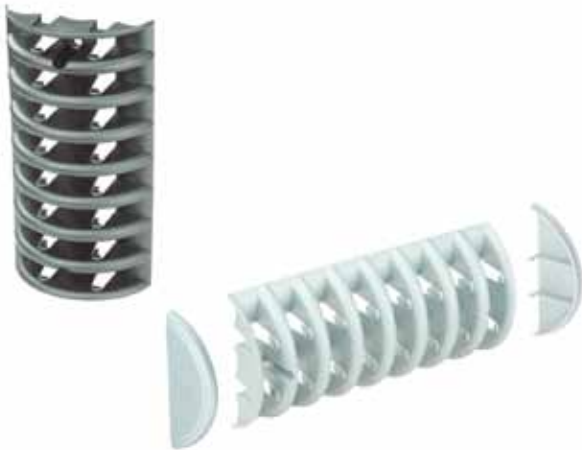
D Type CD/DVD Holders

- * Screw fixing wall mounting for vertical or horizontal storage, or flat-bottom mounting for vertical storage
- * Holders with smooth junctions and stackable
- * Optional end caps
- * Material: plastic
- * Color: black (BB) or silver gray (SY)

90226 D type 8 CD Holder

90226C End caps, 2 pcs/set

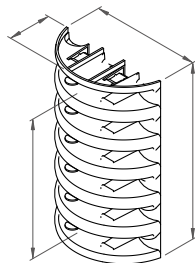
- * Stores 8 pcs of CD



90263 D type 6 DVD Holder

90263C End caps, 2 pcs/set

- * Stores 6 pcs of DVD



90228 D type 15 CD Holder

90228C End caps, 2 pcs/set

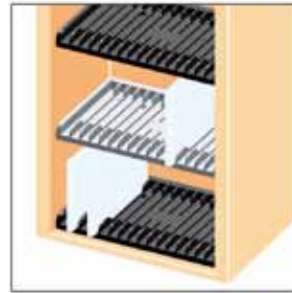
- * Stores 15 pcs of CD



16-5 Media Storage

CD / VHS Rack

- * Three installation types:
 - Side mount:** shelf supports attached, for Ø5mm drillholes
 - Bottom mount:** screw fixing
 - Wall mount:** with hanging brackets
- * Material: plastic
- * Color: black (BB) or silver gray (SY)



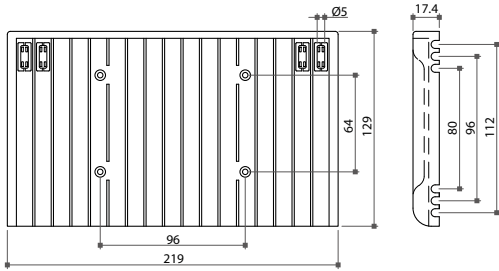
CD rack



VHS rack (with bracket)

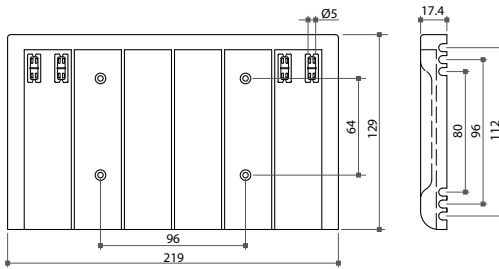
90222 17 CD Rack

- * Holds 17 pcs of CD



90253 6 VHS Rack

- * Holds 6 pcs of VHS tape

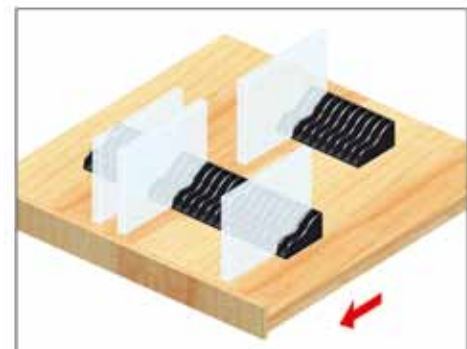
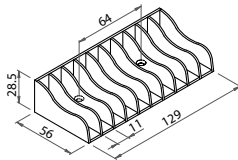


Bottom Mount CD Rack

- * Screw fixing
- * Vertical storage
- * Material: plastic
- * Color: black (BB) or silver gray (SY)

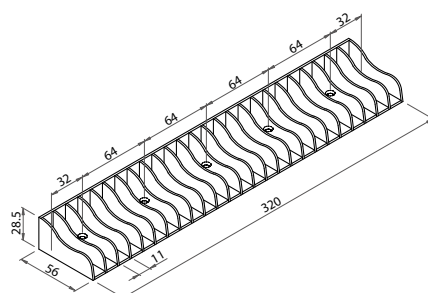
90240 10 CD Rack

- * Holds 10 pcs of CD



90241 25 CD Rack

- * Holds 25 pcs of CD



16-5 Media Storage

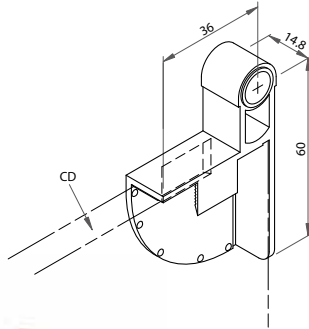
Swing Fan CD Holder

- * Each fan grips one CD box
- * Steel rod of three lengths to carry different number of fan (20, 30 or 40 CDs)
- * Three mounting types
- * Material: plastic in black (BB) or silver gray (SY)



90227 Fan

- * Holds 1 pc of CD



Steel Rod

- * Steel, chrome plated, Ø9.5mm

90227R-314 314mm long for 20 CDs

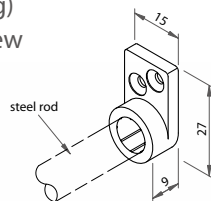
90227R-464 464mm long for 30 CDs

90227R-611 611mm long for 40 CDs



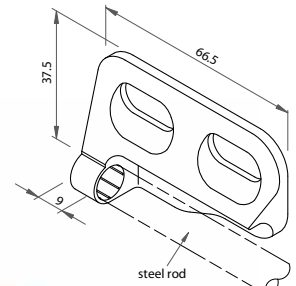
90227A1 Top/Bottom Mount Bracket

- * 2 pcs/set (upper/lower fixing)
- * Including 4 pcs of wood screw



90227B Side Mount Bracket

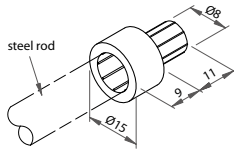
- * 2 pcs/set (upper/lower fixing)
- * Including 4 pcs of wood screw



16-5 Media Storage

90227A2 Top/Bottom Pivot Socket

- * For Ø8mm drillhole
- * 2 pcs/set



Illustrations of varied assembly

- * With different accessories, **90227 CD/DVD Holder** can expand specific features to attain various purposes



90227-40B (side mount)
 * Consists of 40 fans (90227), 1 rod (90227R-611) & 1 set of bracket (90227B)



90227-20A1 (top/bottom mount)
 * Consists of 20 fans (90227), 1 rod (90227R-314) & 1 set of bracket (90227A1)

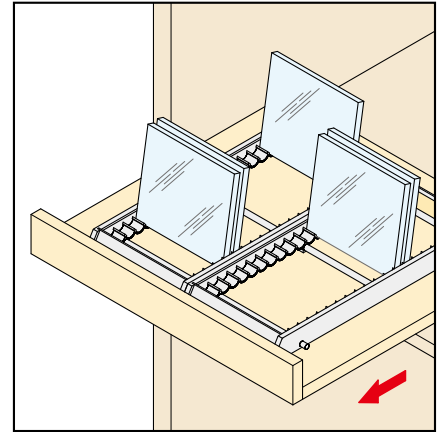


90227-30A2 (pivot mount)
 * Consists of 30 fans (90227), 1 rod (90227R-464) & 1 set of socket (90227A2)

16-5 Media Storage

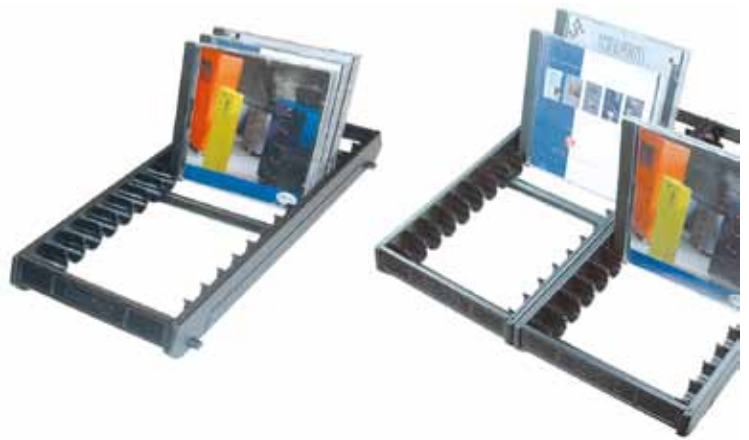
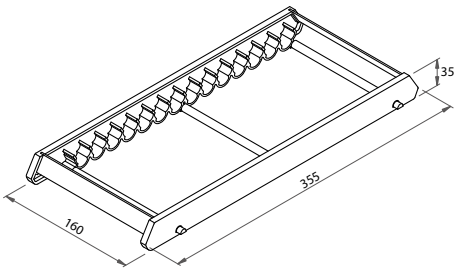
CD/DVD/Disk Organizer

- * Free stand on flat panels or in pull-out drawers
- * With dowels to connect additional organizer
- * K/D flat pack
- * Material: plastic in black



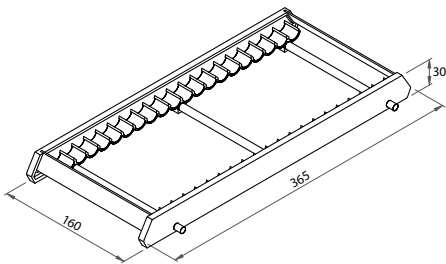
90242 14 CD/DVD Holder

- * Holds 14 pcs of CD / DVD



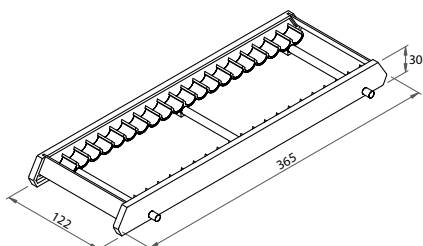
90213 20 CD/DVD Holder

- * Holds 20 pcs of CD / DVD
- * Connectable with **90273** zip disk holder



90273 20 Zip Disk Holder

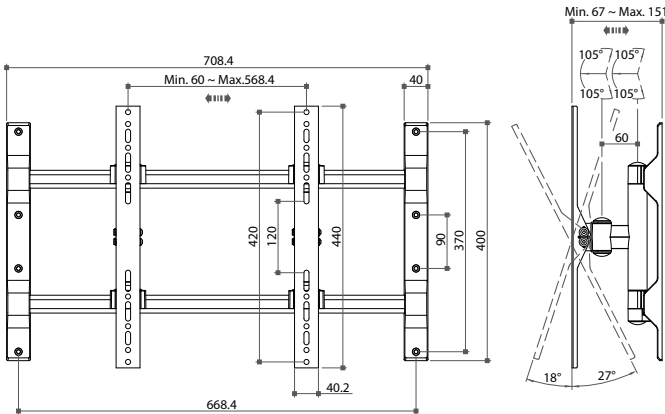
- * Holds 20 pcs of zip disk
- * Connectable with **90213** CD/DVD holder



16-6 TV Brackets

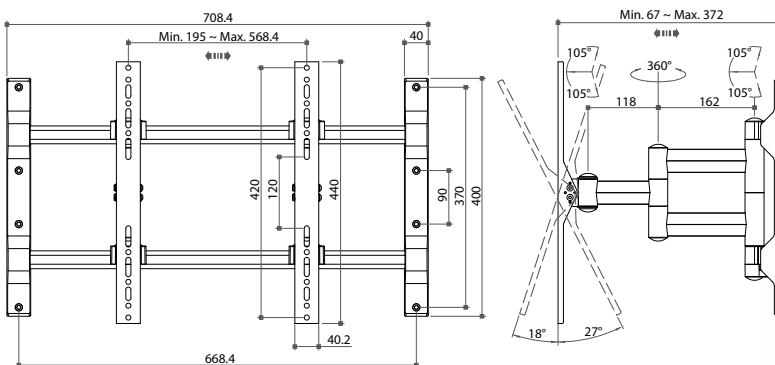
88720 TV Bracket

- * Wall mounting type
- * Loading Capacity: 50 kgs
- * Easy installation by button hook
- * VESA brackets: 200x200 / 200x400 / 400x400 / 400x600 mm
- * For 32" ~ 55" flat panel TV
- * Extendable arms with swivel (up/down/right/left) movement



88730 Adjustable Universal TV Bracket

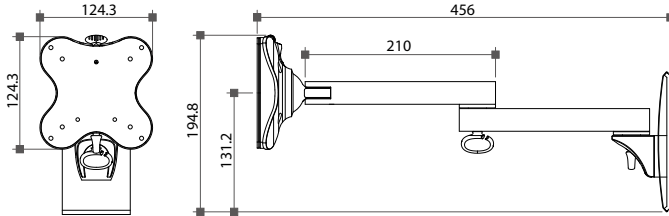
- * Wall mounting type
- * Loading Capacity: 50 kgs
- * Easy installation by button hook
- * VESA brackets: 200x200 / 200x400 / 400x400 / 400x600 mm
- * For 37" ~ 70" flat panel TV
- * With extension (67 ~ 372mm) and swivel (up/down/right/left) movements



16-6 TV Brackets

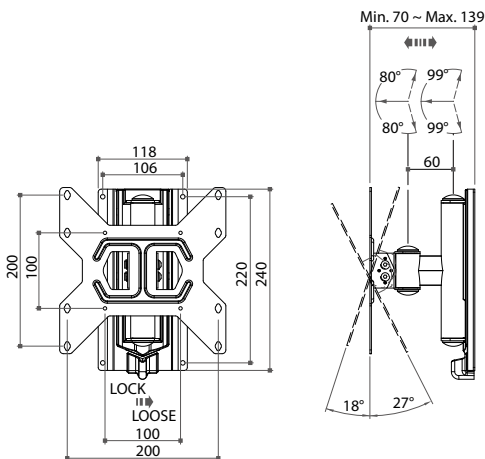
88700 TV Bracket

- * Wall mounting type
- * Loading Capacity: 12 kgs
- * Quick release and anti-theft mechanisms
- * VESA brackets: 75x75 / 100x100 mm
- * For 10" ~ 26" flat panel TV



88710 TV Bracket

- * Wall mounting type
- * Loading Capacity: 30 kgs
- * Easy installation by button hook
- * VESA brackets: 100x100 / 100x200 / 200x200 mm
- * For 22" ~ 32" flat panel TV
- * Extendable arms with swivel (up/down/right/left) movement



Алматы (7273)495-231
Ангарск (3955)60-70-56
Архангельск (8182)63-90-72
Астрахань (8512)99-46-04
Барнаул (3852)73-04-60
Белгород (4722)40-23-64
Благовещенск (4162)22-76-07
Брянск (4832)59-03-52
Владивосток (423)249-28-31
Владикавказ (8672)28-90-48
Владимир (4922)49-43-18
Волгоград (844)278-03-48
Вологда (8172)26-41-59
Воронеж (473)204-51-73
Екатеринбург (343)384-55-89

Иваново (4932)77-34-06
Ижевск (3412)26-03-58
Иркутск (395)279-98-46
Казань (843)206-01-48
Калининград (4012)72-03-81
Калуга (4842)92-23-67
Кемерово (3842)65-04-62
Киров (8332)68-02-04
Коломна (4966)23-41-49
Кострома (4942)77-07-48
Краснодар (861)203-40-90
Красноярск (391)204-63-61
Курск (4712)77-13-04
Курган (3522)50-90-47
Липецк (4742)52-20-81

Магнитогорск (3519)55-03-13
Москва (495)268-04-70
Мурманск (8152)59-64-93
Набережные Челны (8552)20-53-41
Нижний Новгород (831)429-08-12
Новокузнецк (3843)20-46-81
Ноябрьск (3496)41-32-12
Новосибирск (383)227-86-73
Омск (3812)21-46-40
Орел (4862)44-53-42
Оренбург (3532)37-68-04
Пенза (8412)22-31-16
Петрозаводск (8142)55-98-37
Псков (8112)59-10-37

Пермь (342)205-81-47
Ростов-на-Дону (863)308-18-15
Рязань (4912)46-61-64
Самара (846)206-03-16
Саранск (8342)22-96-24
Санкт-Петербург (812)309-46-40
Саратов (845)249-38-78
Севастополь (8692)22-31-93
Симферополь (3652)67-13-56
Смоленск (4812)29-41-54
Сочи (862)225-72-31
Ставрополь (8652)20-65-13
Сургут (3462)77-98-35
Сыктывкар (8212)25-95-17
Тамбов (4752)50-40-97

Тверь (4822)63-31-35
Тольятти (8482)63-91-07
Томск (3822)98-41-53
Тула (4872)33-79-87
Тюмень (3452)66-21-18
Ульяновск (8422)24-23-59
Улан-Удэ (3012)59-97-51
Уфа (347)229-48-12
Хабаровск (4212)92-98-04
Чебоксары (8352)28-53-07
Челябинск (351)202-03-61
Череповец (8202)49-02-64
Чита (3022)38-34-83
Якутск (4112)23-90-97
Ярославль (4852)69-52-93

Россия +7(495)268-04-70

Казахстан +7(7172)727-132

Киргизия +996(312)96-26-47

www.fourwinds.nt-rt.ru | | fse@nt-rt.ru