

<b>Алматы</b> (7273)495-231	<b>Иваново</b> (4932)77-34-06	<b>Магнитогорск</b> (3519)55-03-13	<b>Пермь</b> (342)205-81-47	<b>Тверь</b> (4822)63-31-35
<b>Ангарск</b> (3955)60-70-56	<b>Ижевск</b> (3412)26-03-58	<b>Москва</b> (495)268-04-70	<b>Ростов-на-Дону</b> (863)308-18-15	<b>Тольятти</b> (8482)63-91-07
<b>Архангельск</b> (8182)63-90-72	<b>Иркутск</b> (395)279-98-46	<b>Мурманск</b> (8152)59-64-93	<b>Рязань</b> (4912)46-61-64	<b>Томск</b> (3822)98-41-53
<b>Астрахань</b> (8512)99-46-04	<b>Казань</b> (843)206-01-48	<b>Набережные Челны</b> (8552)20-53-41	<b>Самара</b> (846)206-03-16	<b>Тула</b> (4872)33-79-87
<b>Барнаул</b> (3852)73-04-60	<b>Калининград</b> (4012)72-03-81	<b>Нижний Новгород</b> (831)429-08-12	<b>Саранск</b> (8342)22-96-24	<b>Тюмень</b> (3452)66-21-18
<b>Белгород</b> (4722)40-23-64	<b>Калуга</b> (4842)92-23-67	<b>Новокузнецк</b> (3843)20-46-81	<b>Санкт-Петербург</b> (812)309-46-40	<b>Ульяновск</b> (8422)24-23-59
<b>Благовещенск</b> (4162)22-76-07	<b>Кемерово</b> (3842)65-04-62	<b>Ноябрьск</b> (3496)41-32-12	<b>Саратов</b> (845)249-38-78	<b>Улан-Удэ</b> (3012)59-97-51
<b>Брянск</b> (4832)59-03-52	<b>Киров</b> (8332)68-02-04	<b>Новосибирск</b> (383)227-86-73	<b>Севастополь</b> (8692)22-31-93	<b>Уфа</b> (347)229-48-12
<b>Владивосток</b> (423)249-28-31	<b>Коломна</b> (4966)23-41-49	<b>Омск</b> (3812)21-46-40	<b>Симферополь</b> (3652)67-13-56	<b>Хабаровск</b> (4212)92-98-04
<b>Владикавказ</b> (8672)28-90-48	<b>Кострома</b> (4942)77-07-48	<b>Орел</b> (4862)44-53-42	<b>Смоленск</b> (4812)29-41-54	<b>Чебоксары</b> (8352)28-53-07
<b>Владимир</b> (4922)49-43-18	<b>Краснодар</b> (861)203-40-90	<b>Оренбург</b> (3532)37-68-04	<b>Сочи</b> (862)225-72-31	<b>Челябинск</b> (351)202-03-61
<b>Волгоград</b> (844)278-03-48	<b>Красноярск</b> (391)204-63-61	<b>Пенза</b> (8412)22-31-16	<b>Ставрополь</b> (8652)20-65-13	<b>Череповец</b> (8202)49-02-64
<b>Вологда</b> (8172)26-41-59	<b>Курск</b> (4712)77-13-04	<b>Петрозаводск</b> (8142)55-98-37	<b>Сургут</b> (3462)77-98-35	<b>Чита</b> (3022)38-34-83
<b>Воронеж</b> (473)204-51-73	<b>Курган</b> (3522)50-90-47	<b>Псков</b> (8112)59-10-37	<b>Сыктывкар</b> (8212)25-95-17	<b>Якутск</b> (4112)23-90-97
<b>Екатеринбург</b> (343)384-55-89	<b>Липецк</b> (4742)52-20-81		<b>Тамбов</b> (4752)50-40-97	<b>Ярославль</b> (4852)69-52-93

Россия +7(495)268-04-70

Казахстан +7(7172)727-132

Киргизия +996(312)96-26-47

[www.fourwinds.nt-rt.ru](http://www.fourwinds.nt-rt.ru) | [fse@nt-rt.ru](mailto:fse@nt-rt.ru)

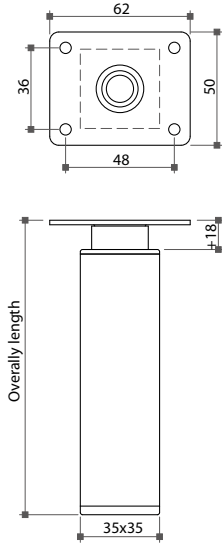
# Технические характеристики на ножки мебельные, ножки для столов, принадлежности компании **Four Winds**

**Виды товаров:** ножки мебельные, ножки для столов, ножки-опоры, алюминиевые, пластиковые, из замака, стальные, каркасные, регулируемые, квадратные, круглые, запчасти, наборы для монтажа, пластины, болты и др.

# 11-1 Furniture Feet

## Top Adjustable Square Aluminium Legs

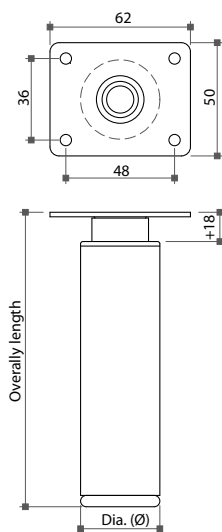
- \* Material: square aluminium tube (35x35mm) & plastic cap
- \* Finish: matt silver (NA), inox (ABN) & polished chrome (PC)
- \* Height adjustable by top plate



Item No.	Overall length
ASQ35PG-100	100mm
ASQ35PG-130	130mm
ASQ35PG-160	160mm

## Top Adjustable Round Aluminium Legs

- \* Material: round aluminium tube & plastic cap
- \* Finish: matt silver (NA), inox (ABN) & polished chrome (PC)
- \* Height adjustable by top plate



Item No.	Dia. (Ø)	Overall length
ARD35PG-100	35mm	100mm
ARD35PG-130	35mm	130mm
ARD35PG-160	35mm	160mm
ARD42PG-100	42mm	100mm
ARD42PG-130	42mm	130mm
ARD42PG-160	42mm	160mm

ARD35PG

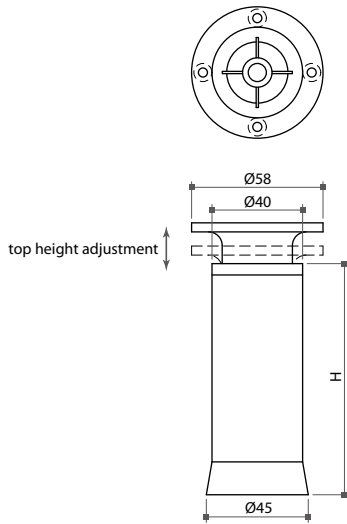
ARD42PG

ARD42PG

# 11-1 Furniture Feet

## 5369 Aluminium Furniture Feet

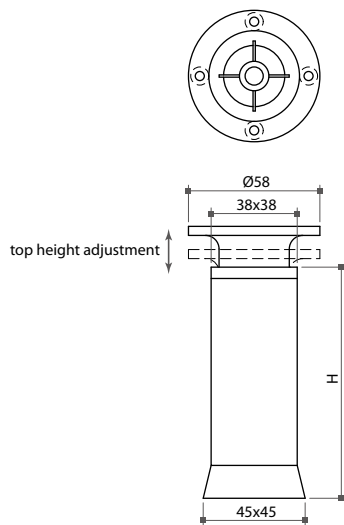
- \* Ø40mm round aluminium feet, matt silver anodized
- \* Top height adjustment
- \* Gray plastic part (base and top)



Item No.	H
5369-100	100mm
5369-120	120mm
5369-150	150mm

## 5370 Aluminium Furniture Feet

- \* 38x38mm square aluminium feet, matt silver anodized
- \* Top height adjustment
- \* Gray plastic parts (base and top)

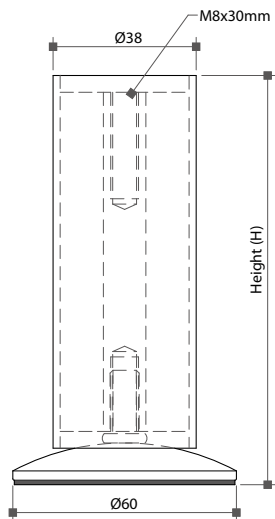


Item No.	H
5370-100	100mm
5370-120	120mm
5370-150	150mm

# 11-1 Furniture Feet

## Aluminium Furniture Feet - AH38DM Series

- \* Ø38mm (1-1/2") aluminium tube with M8 threaded hole
- \* With solid aluminium floor glide (+10mm height adjustment)
- \* Finish: matt silver (NA) or bright silver (NB) anodized
- \* Various mounting tops available

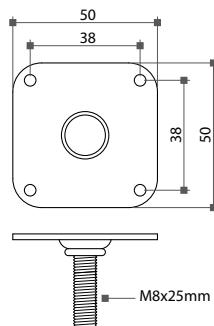


Item No.	Height (H)
AH38DM-110	110mm
AH38DM-160	160mm
AH38DM-210	210mm

### Various Mounting Tops:

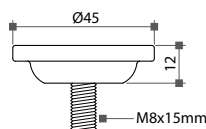
#### PH38 Steel Top Plate

- \* Steel in zinc plating, with M8x25mm bolt



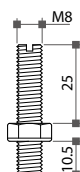
#### GAL45 Glass Top UV Mounting Plate

- \* Aluminium, with M8x15mm bolt



#### TCB81S-25 Top Connecting Bolt

- \* Steel in zinc plating, M8x25mm, with slot



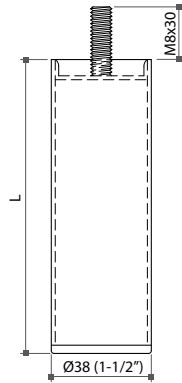
# 11-1 Furniture Feet

## Tubby 38 Furniture Feet

- \* Steel tube Ø38mm (1-1/2")
- \* Silver gray coated and polished chrome plated
- \* M8 threaded hole or M8x30mm threaded bolt

## RD384 Steel Furniture Feet

- \* Top with M8x30mm bolt and bottom with black plastic cap

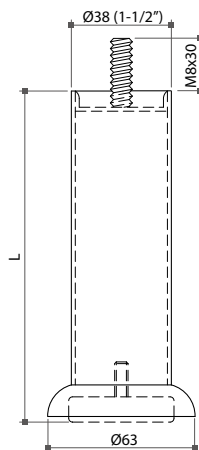


Item No.	Length (L)
RD384-75	75mm
RD384-100	100mm
RD384-125	125mm
RD384-150	150mm
RD384-200	200mm
RD384-300	300mm



## RD387 Steel Furniture Feet

- \* Top with M8x30mm bolt and bottom with adjustable floor glide



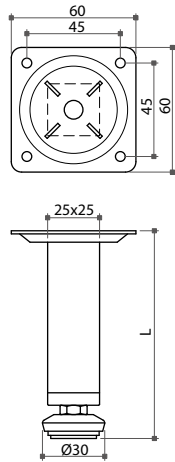
Item No.	Length (L)
RD387-75	75mm
RD387-100	100mm
RD387-125	125mm
RD387-150	150mm
RD387-200	200mm
RD387-300	300mm



# 11-1 Furniture Feet

## TS25 Square Steel Furniture Feet

- \* Material: steel & plastic
- \* 25x25mm square tube
- \* Finish: nickel, polished chrome, brushed nickel plated, or powder coated
- \* Top with mounting plate
- \* Length: to be specified
- \* With or without adjustable glide

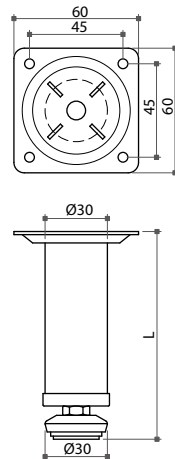


Item No.	Length (L)
TS25-50	50mm
TS25-75	75mm
TS25-115	115mm
TS25-150	150mm
TS25-200	200mm
TS25-300	300mm



## TR30 Round Steel Furniture Feet

- \* Material: steel & plastic
- \* Ø30mm round tube
- \* Finish: nickel, polished chrome, brushed nickel plated, or powder coated
- \* Top with mounting plate
- \* Length: to be specified
- \* With or without adjustable glide



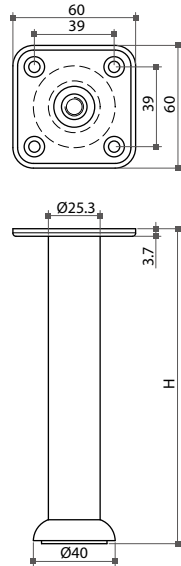
Item No.	Length (L)
TR30-50	50mm
TR30-75	75mm
TR30-115	115mm
TR30-150	150mm
TR30-200	200mm
TR30-300	300mm



# 11-1 Furniture Feet

## 5242 Steel Furniture Feet

- \* Steel in brushed nickel
- \* With height adjustable base and floor-protective pad

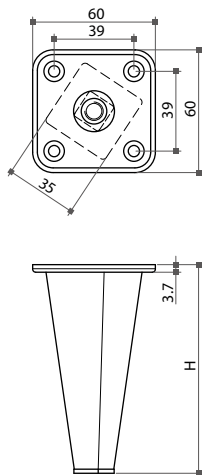


Item No.	H
5242-100	100mm
5242-150	150mm
5242-200	200mm
5242-250	250mm



## 5230 Steel Furniture Feet

- \* Steel in brushed nickel
- \* With floor-protective pad



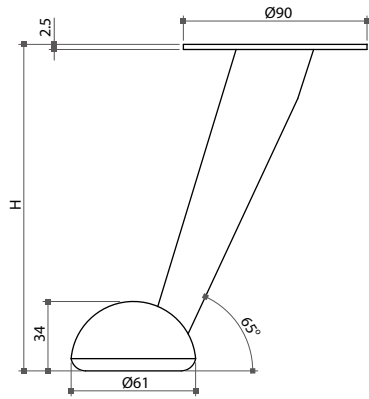
Item No.	H
5230-100	100mm



# 11-1 Furniture Feet

## 5225 Steel Furniture Feet

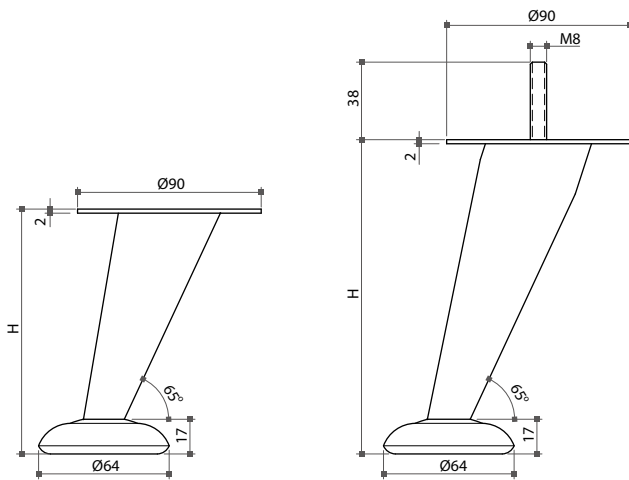
- \* Material: all steel
- \* With floor-protective pad
- \* Finish: nickel, polished chrome, satin nickel, satin chrome or silver lacquered



Item No.	H
5225-100	100mm
5225-120	120mm
5225-140	140mm
5225-160	160mm

## 5235 Steel Furniture Feet

- \* Material: all steel
- \* Finish: satin nickel, polished chrome & silver grey
- \* With floor-protective rubber pad, welded with round top plate, with or without threaded bolt



5235-120

5235-155



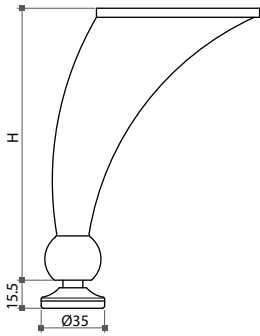
Item No.	H	Type
5235-120	120mm	with a round top plate
5235-155	155mm	with threaded bolt



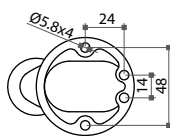
# 11-1 Furniture Feet

## 5221 Zamak Furniture Feet

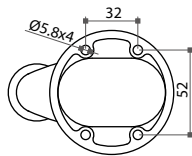
- \* Material: zamak, available in various finishes such as satin nickel, satin chrome, brushed nickel, polished chrome, brass and more
- \* Regularly attached by adjustable glide **MON135** (other glides available)
- \* Height: 100mm, 125mm or 150mm (not including adjustable glide)



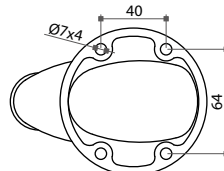
Item No.	H
5221-100	100mm
5221-125	125mm
5221-150	150mm



5221-100



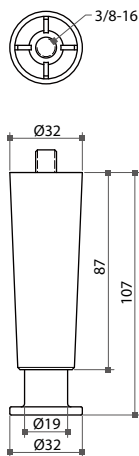
5221-125



5221-150

## 5288-107 Zamak Furniture Feet

- \* Material: zamak, available in various finishes
- \* With 3/8-16 threaded bolt

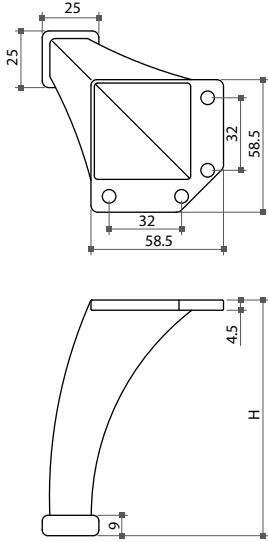


Item No.	H
5288-107	107mm

# 11-1 Furniture Feet

## 5267-105 Zamak Furniture Feet

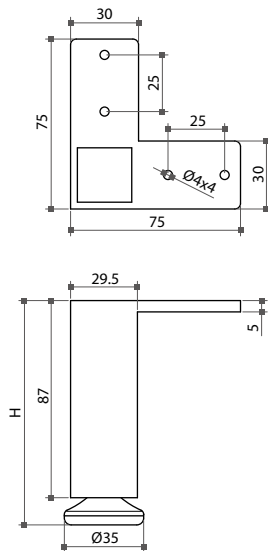
- \* Material: zamak, available in various finishes
- \* With floor-protective rubber pad



Item No.	H
5267-105	104mm

## 5268-100 Zamak Furniture Feet

- \* Material: zamak, available in various finishes
- \* With adjustable glide

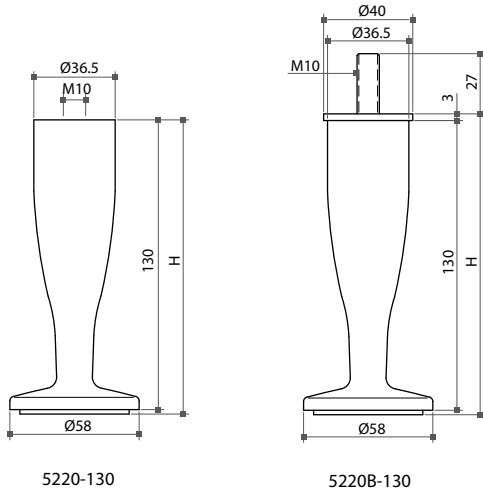


Item No.	H
5268-100	100mm

# 11-1 Furniture Feet

## 5220 Aluminium Furniture Feet

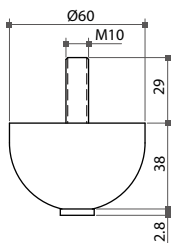
- \* Material: aluminium casting
- \* With floor-protective rubber pad
- \* With M10x30mm threaded bolt (5220B-130) or M10 threaded hole (5220-130)



Item No.	H	Type
5220-130	132mm	with threaded hole
5220B-130	132mm	with bolt

## 5217 Aluminium Furniture Feet

- \* Material: aluminium casting
- \* Ø60x38mm H.
- \* With floor-protective rubber pad
- \* With M10x29mm threaded bolt

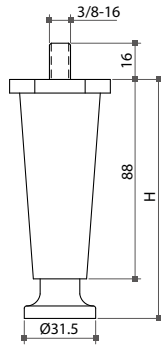
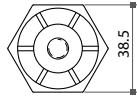


Item No.	H
5217	38mm

# 11-1 Furniture Feet

## 5360 Plastic Furniture Feet

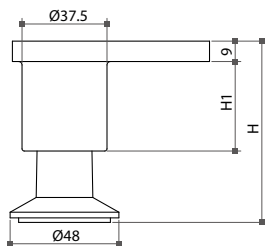
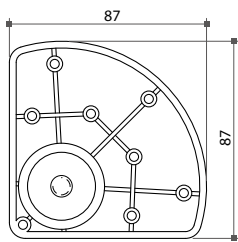
- \* Plastic in black
- \* With adjustable glide



Item No.	H
5360	102mm

## 5364 Plastic Furniture Feet

- \* With adjustable glide
- \* Color: black, gray or silver gray

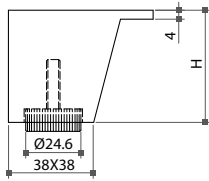
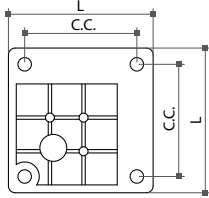


Item No.	H1 / H
5364-80	39.5 / 80mm
5364-140	100 / 140mm

# 11-1 Furniture Feet

## 5368 Plastic Furniture Feet

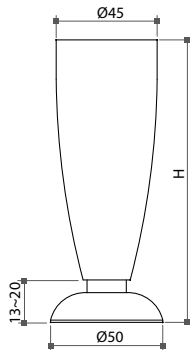
- \* Material: all plastic
- \* With adjustable glide



Item No.	H	Top size (L)	C.C.
5368-50	50mm	64.5x64.5mm	50mm
5368-90	90mm	80x80mm	64mm

## 5362 Plastic Furniture Feet

- \* Plastic in silver coating
- \* With height adjustable base (+7mm)

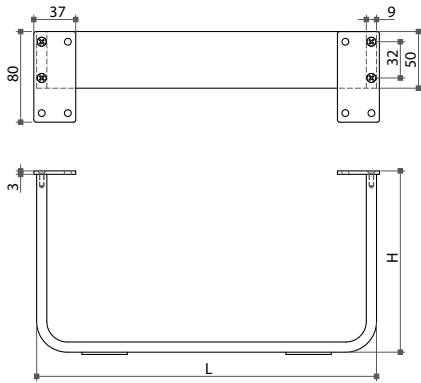


Item No.	H
5362	120mm

# 11-1 Furniture Feet

## U50CT Furniture Feet

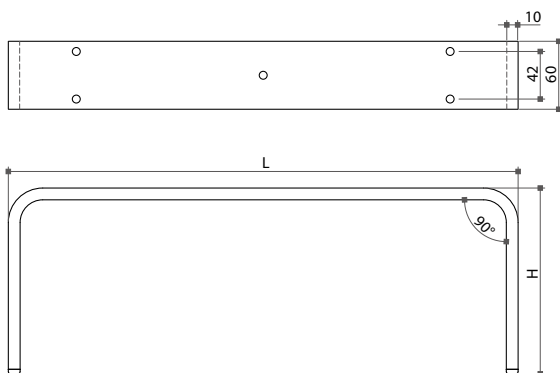
- \* Solid aluminium in flat profile 50x9mm
- \* Matt silver or bright silver anodized
- \* Other sizes to be specified



Item No.	L	H
U50CT-1515	150mm	150mm
U50CT-4016	400mm	160mm
U50CT-4516	450mm	160mm
U50CT-3240	320mm	400mm

## U60CT Furniture Feet

- \* Solid aluminium in flat profile 60x10mm
- \* Matt silver or bright silver anodized
- \* Other sizes to be specified

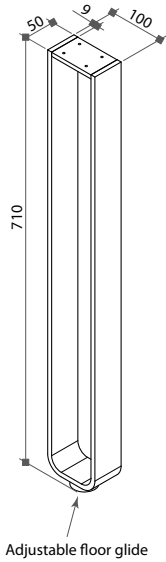


Item No.	L	H
U60CT-4016	400mm	160mm
U60CT-4516	450mm	160mm

# 11-2 Table Legs

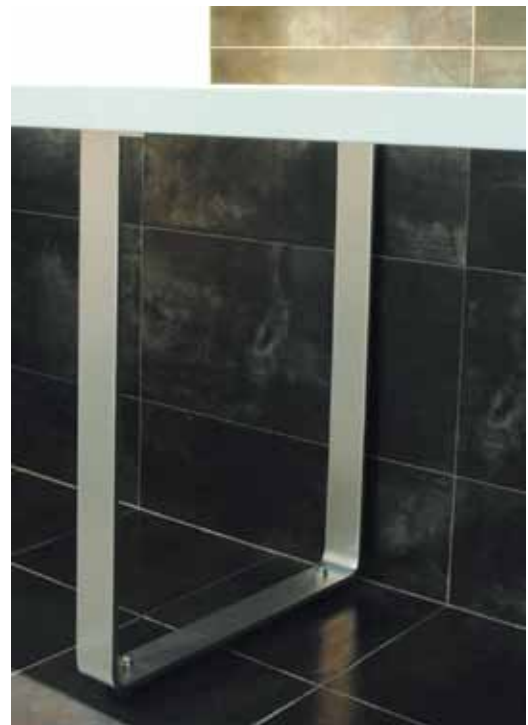
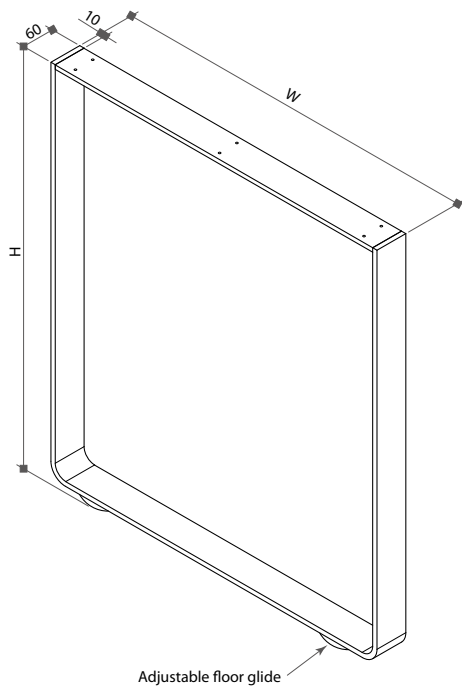
## U50DU-710 "D" Aluminium Table Leg

- \* Aluminium profile 50x9mm, matt silver (NA) anodized
- \* With an adjustable floor glide
- \* Other dimensions to be specified



## U60DU "D" Aluminium Table Leg

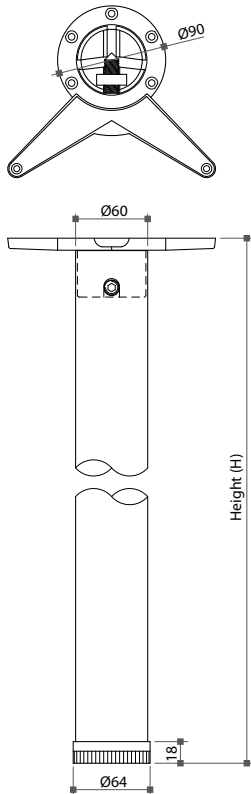
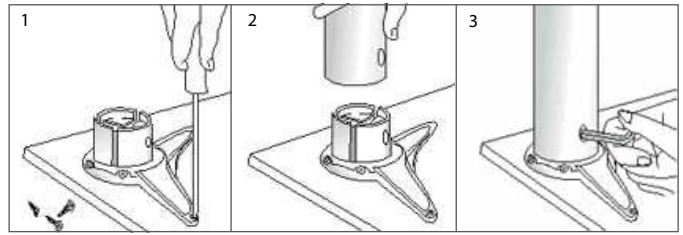
- \* Aluminium profile 60x10mm, matt silver (NA) anodized
- \* With two adjustable floor glides
- \* Dimensions (W, H) to be specified



# 11-2 Table Legs

## TBL710 / TBL870 Steel Table Legs

- \* Material: steel tube with zamak mounting plate
- \*  $\text{\O}60\text{mm}$  round tube
- \* Height: 710mm or 870mm
- \* Finish: polished chrome, brushed nickel plated, black, silver grey (RAL9006) coated or other finishes
- \* With adjustable glide



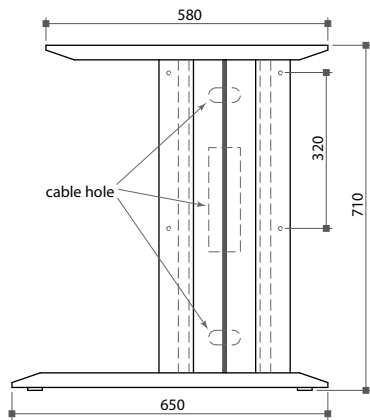
Item No.	H
TBL710	710mm
TBL870	870mm



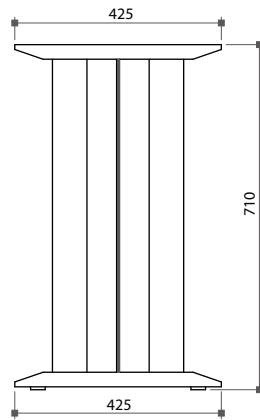
# 11-2 Table Legs

## CD Desk Legs

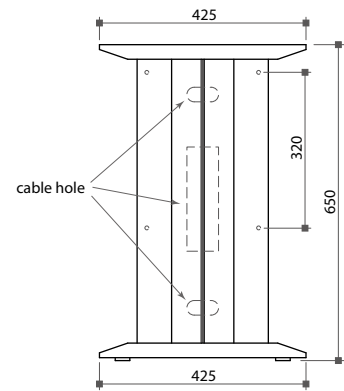
- \* Steel in powder coating
- \* Color: black, light or dark grey
- \* One pair as a set



53696 main leg



53696C corner leg



53697 return leg

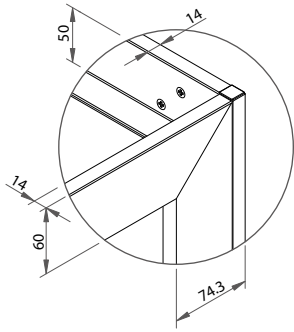


Item No.	Type	Height
53696	main leg	710mm
53696C	corner leg	710mm
53697	return leg	650mm

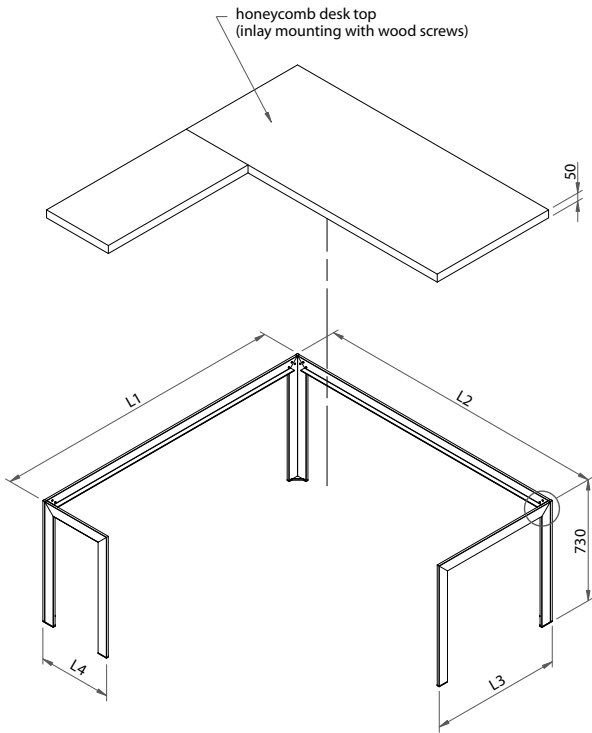
# 11-2 Table Legs

## FT60LTL L-Type Office Desk Framed Leg

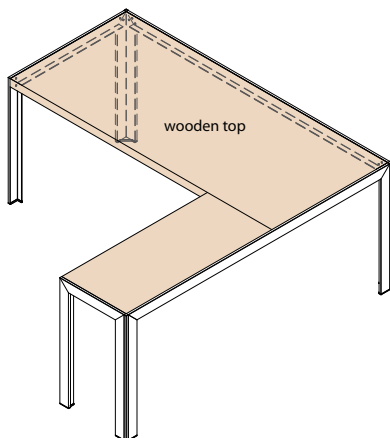
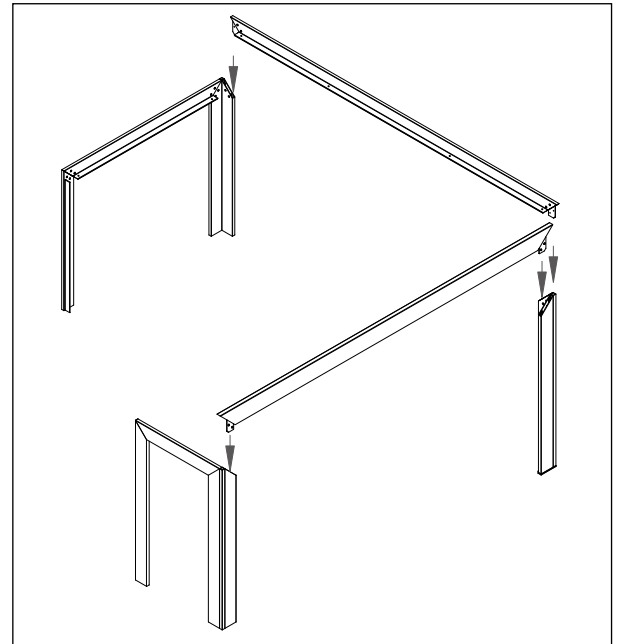
- \* All aluminium, matt silver anodized
- \* Left or right way
- \* Dimensions of L1, L2, L3 & L4 to be specified



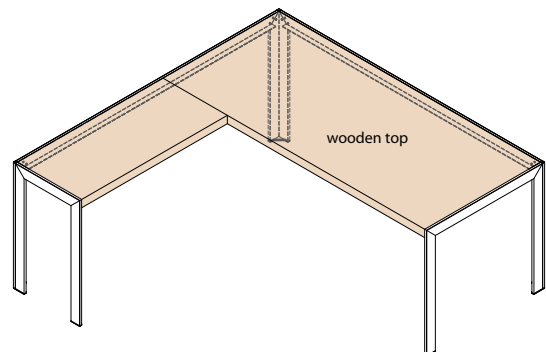
11  
Feet



K/D assembly



FT60LTL-R (Right way)

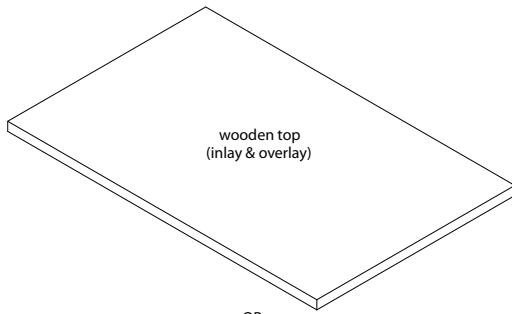


FT60LTL-L (Left way)

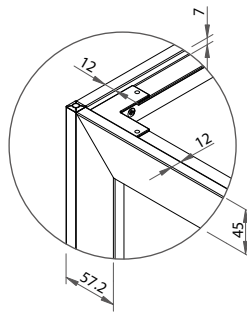
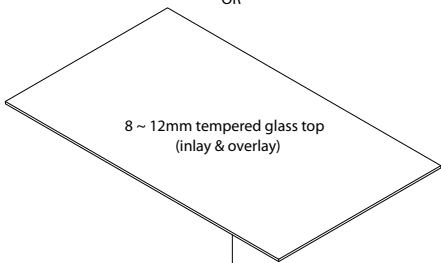
# 11-2 Table Legs

## FT45LL-T7 Utility Table Frame Leg

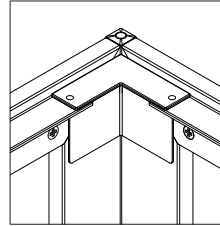
- \* All aluminium, matt silver anodized
- \* For wooden or 8 ~ 12mm tempered glass top, inlay or overlay mounting
- \* For desk, dining and coffee tables
- \* Dimensions of L, W, H to be specified



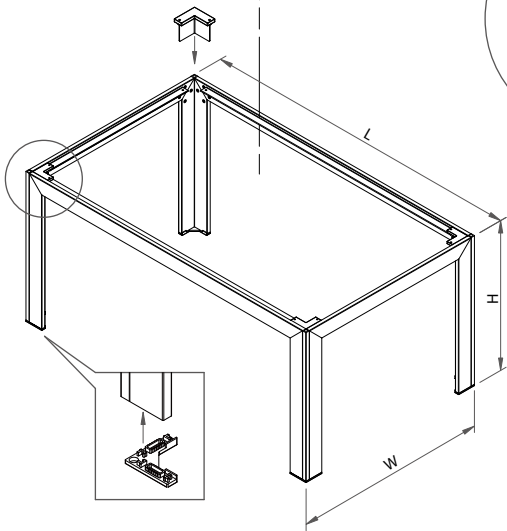
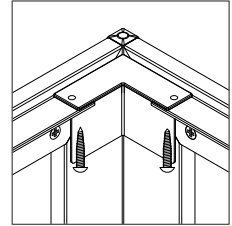
OR



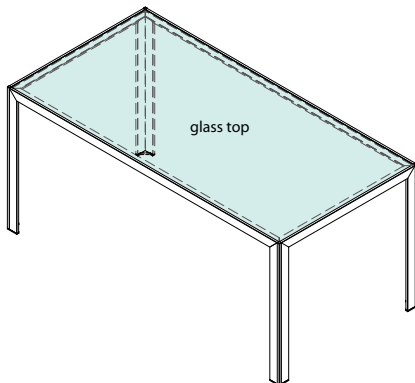
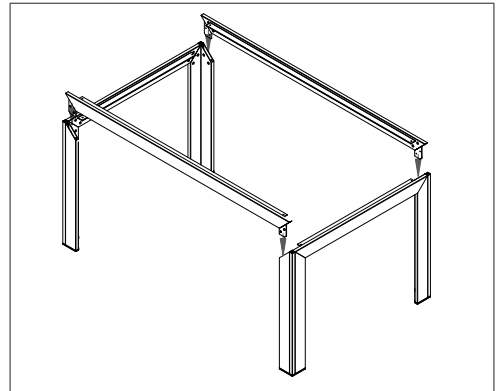
For glass top



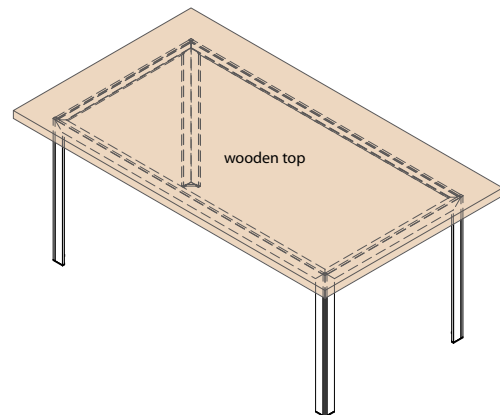
For wooden top



K/D assembly



Inlay table top



Overlay table top

**Алматы** (7273)495-231  
**Ангарск** (3955)60-70-56  
**Архангельск** (8182)63-90-72  
**Астрахань** (8512)99-46-04  
**Барнаул** (3852)73-04-60  
**Белгород** (4722)40-23-64  
**Благовещенск** (4162)22-76-07  
**Брянск** (4832)59-03-52  
**Владивосток** (423)249-28-31  
**Владикавказ** (8672)28-90-48  
**Владимир** (4922)49-43-18  
**Волгоград** (844)278-03-48  
**Вологда** (8172)26-41-59  
**Воронеж** (473)204-51-73  
**Екатеринбург** (343)384-55-89

**Иваново** (4932)77-34-06  
**Ижевск** (3412)26-03-58  
**Иркутск** (395)279-98-46  
**Казань** (843)206-01-48  
**Калининград** (4012)72-03-81  
**Калуга** (4842)92-23-67  
**Кемерово** (3842)65-04-62  
**Киров** (8332)68-02-04  
**Коломна** (4966)23-41-49  
**Кострома** (4942)77-07-48  
**Краснодар** (861)203-40-90  
**Красноярск** (391)204-63-61  
**Курск** (4712)77-13-04  
**Курган** (3522)50-90-47  
**Липецк** (4742)52-20-81

**Магнитогорск** (3519)55-03-13  
**Москва** (495)268-04-70  
**Мурманск** (8152)59-64-93  
**Набережные Челны** (8552)20-53-41  
**Нижний Новгород** (831)429-08-12  
**Новокузнецк** (3843)20-46-81  
**Ноябрьск** (3496)41-32-12  
**Новосибирск** (383)227-86-73  
**Омск** (3812)21-46-40  
**Орел** (4862)44-53-42  
**Оренбург** (3532)37-68-04  
**Пенза** (8412)22-31-16  
**Петрозаводск** (8142)55-98-37  
**Псков** (8112)59-10-37

**Пермь** (342)205-81-47  
**Ростов-на-Дону** (863)308-18-15  
**Рязань** (4912)46-61-64  
**Самара** (846)206-03-16  
**Саранск** (8342)22-96-24  
**Санкт-Петербург** (812)309-46-40  
**Саратов** (845)249-38-78  
**Севастополь** (8692)22-31-93  
**Симферополь** (3652)67-13-56  
**Смоленск** (4812)29-41-54  
**Сочи** (862)225-72-31  
**Ставрополь** (8652)20-65-13  
**Сургут** (3462)77-98-35  
**Сыктывкар** (8212)25-95-17  
**Тамбов** (4752)50-40-97

**Тверь** (4822)63-31-35  
**Тольятти** (8482)63-91-07  
**Томск** (3822)98-41-53  
**Тула** (4872)33-79-87  
**Тюмень** (3452)66-21-18  
**Ульяновск** (8422)24-23-59  
**Улан-Удэ** (3012)59-97-51  
**Уфа** (347)229-48-12  
**Хабаровск** (4212)92-98-04  
**Чебоксары** (8352)28-53-07  
**Челябинск** (351)202-03-61  
**Череповец** (8202)49-02-64  
**Чита** (3022)38-34-83  
**Якутск** (4112)23-90-97  
**Ярославль** (4852)69-52-93

Россия +7(495)268-04-70

Казахстан +7(7172)727-132

Киргизия +996(312)96-26-47

[www.fourwinds.nt-rt.ru](http://www.fourwinds.nt-rt.ru) | | [fse@nt-rt.ru](mailto:fse@nt-rt.ru)