

Алматы (7273)495-231
Ангарск (3955)60-70-56
Архангельск (8182)63-90-72
Астрахань (8512)99-46-04
Барнаул (3852)73-04-60
Белгород (4722)40-23-64
Благовещенск (4162)22-76-07
Брянск (4832)59-03-52
Владивосток (423)249-28-31
Владикавказ (8672)28-90-48
Владимир (4922)49-43-18
Волгоград (844)278-03-48
Вологда (8172)26-41-59
Воронеж (473)204-51-73
Екатеринбург (343)384-55-89

Иваново (4932)77-34-06
Ижевск (3412)26-03-58
Иркутск (395)279-98-46
Казань (843)206-01-48
Калининград (4012)72-03-81
Калуга (4842)92-23-67
Кемерово (3842)65-04-62
Киров (8332)68-02-04
Коломна (4966)23-41-49
Кострома (4942)77-07-48
Краснодар (861)203-40-90
Красноярск (391)204-63-61
Курск (4712)77-13-04
Курган (3522)50-90-47
Липецк (4742)52-20-81

Магнитогорск (3519)55-03-13
Москва (495)268-04-70
Мурманск (8152)59-64-93
Набережные Челны (8552)20-53-41
Нижний Новгород (831)429-08-12
Новокузнецк (3843)20-46-81
Ноябрьск (3496)41-32-12
Новосибирск (383)227-86-73
Омск (3812)21-46-40
Орел (4862)44-53-42
Оренбург (3532)37-68-04
Пенза (8412)22-31-16
Петрозаводск (8142)55-98-37
Псков (8112)59-10-37

Пермь (342)205-81-47
Ростов-на-Дону (863)308-18-15
Рязань (4912)46-61-64
Самара (846)206-03-16
Саранск (8342)22-96-24
Санкт-Петербург (812)309-46-40
Саратов (845)249-38-78
Севастополь (8692)22-31-93
Симферополь (3652)67-13-56
Смоленск (4812)29-41-54
Сочи (862)225-72-31
Ставрополь (8652)20-65-13
Сургут (3462)77-98-35
Сыктывкар (8212)25-95-17
Тамбов (4752)50-40-97

Тверь (4822)63-31-35
Тольятти (8482)63-91-07
Томск (3822)98-41-53
Тула (4872)33-79-87
Тюмень (3452)66-21-18
Ульяновск (8422)24-23-59
Улан-Удэ (3012)59-97-51
Уфа (347)229-48-12
Хабаровск (4212)92-98-04
Чебоксары (8352)28-53-07
Челябинск (351)202-03-61
Череповец (8202)49-02-64
Чита (3022)38-34-83
Якутск (4112)23-90-97
Ярославль (4852)69-52-93

Россия +7(495)268-04-70

Казахстан +7(7172)727-132

Киргизия +996(312)96-26-47

www.fourwinds.nt-rt.ru | fse@nt-rt.ru

Технические характеристики на гардеробные системы компании **Four Winds**

Виды товаров: алюминиевые штанги для одежды, вешалки, аксессуары, системы стоек для гардероба, каркасные конструкции, выдвигаемые ящики, комплекты крепления опоры стержня, наборы для крепления деревянной полки, наборы для крепления шкафа, алюминиевые стопоры для обуви, комплекты бокового крепления к стойке, каркасы выдвижных ящиков, стойки для галстуков, стойки для шарфов, стойки для ремней, уровневые каркасы для полок, перекладки, пластиковые вставки, боковые панели, проволочные стойки для обуви, обувные полки, стеллажи для хранения обуви, проволочные корзины, держатели для одежды, встраиваемые светодиодные светильники и др.

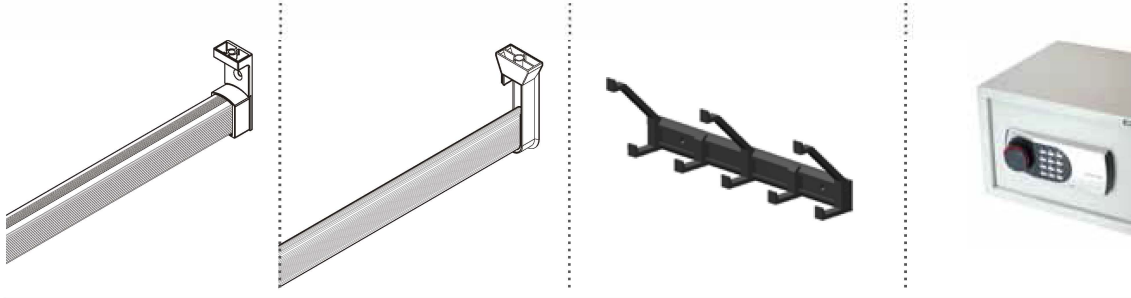
4//Space Closet Room

Providing the total solution for organization and storage of ① clothes ② accessories ③ shoes and suit cases in closet room or wardrobe

提供更衣室及衣櫥完整收納整理應用, 包括①衣服收納 ②個人配件整理 ③鞋子及旅行箱收納

Aluminium Clothes Rod / Hanger / Accessories 鋁吊衣桿, 衣帽掛鉤及配件

page 4 ~ 13



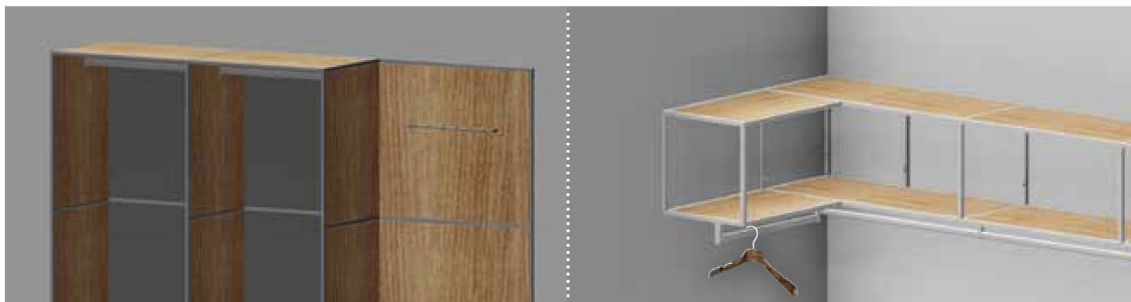
APS-WS Wardrobe Pole System 衣櫥鋁柱系統

page 14 ~ 28



SQ18-WS Wardrobe Frame Structure 衣櫥鋁框結構

page 29 ~ 47



Album Pull-out Drawer & Accessories 拉抽及配件組合

page 48 ~ 65

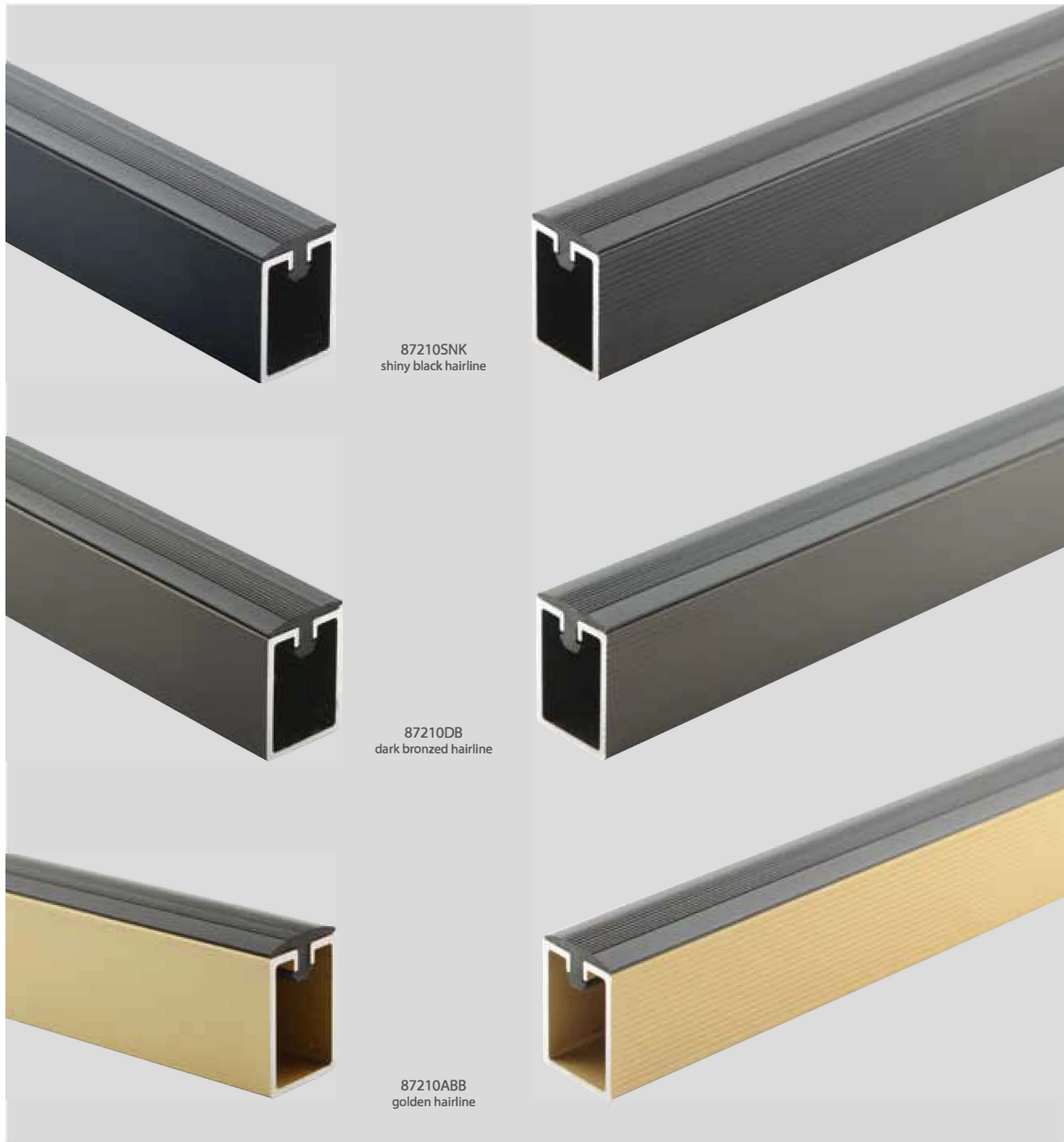
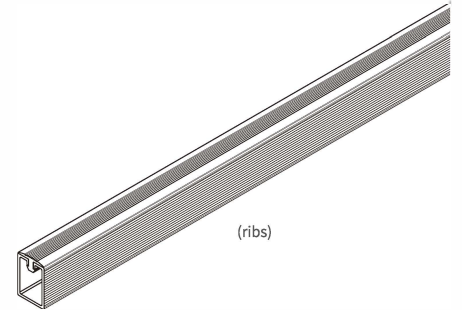
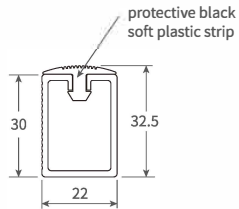


Aluminium Clothes Rod | 鋁吊衣桿

#87210

DSR Aluminium Clothes Rod

- *Heavy duty structure extruded aluminium profile: 30 x 22mm
- *Reversible design, ribs on one side and smooth hairline on the other side
- *Rod length: 2,438mm (8 feet)
- *Locking sleeve secures rod in position
- *Anodized finish



Aluminium Clothes Rod | 鋁吊衣桿

Installation of DSR aluminium clothes rod and rod supports



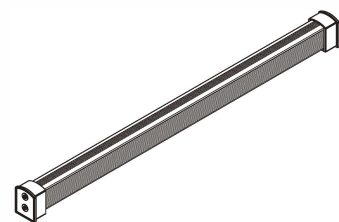
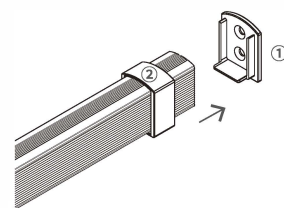
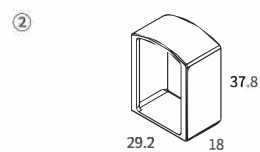
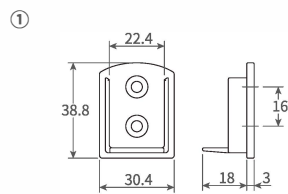
#87212NK

DSR-APS Rod Supports in Black

*2 screw holes, 16mm C.C.

*With locking sleeve to secure #87210 rod in position

*Covering rod ends with neat looking



Aluminium Clothes Rod | 鋁吊衣桿

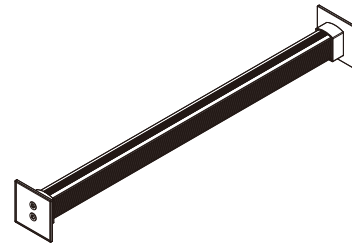
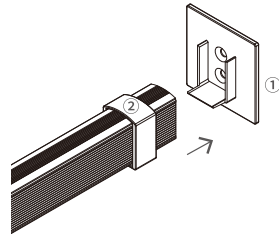
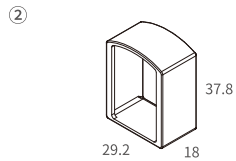
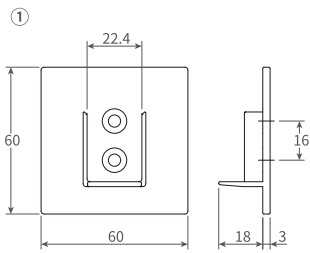
#87216-16NK

DSR-SQ Rod Supports in Black

*2 screw holes, 16mm C.C.

*With locking sleeves to secure #87210 rod in position

*Covering rod ends with neat looking



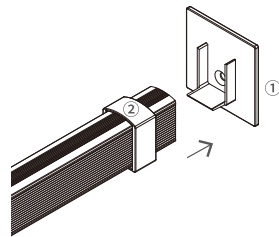
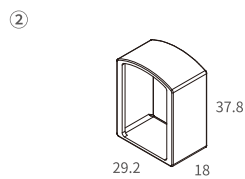
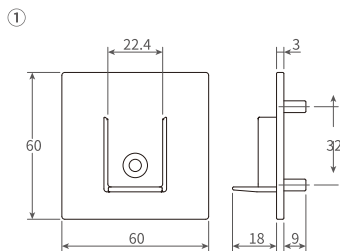
#87216-32NK

DSR-SQ Rod End Supports in Black

*2 pins fixing, 32mm C.C. (Ø5mm drillhole)

*With locking sleeves to secure #87210 rod in position

*Covering rod ends with neat looking



Aluminium Clothes Rod | 鋁吊衣桿

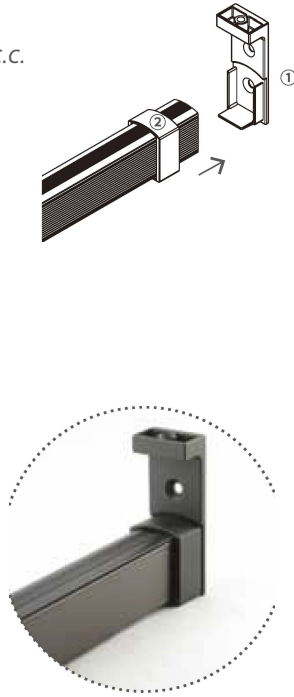
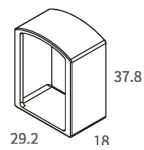
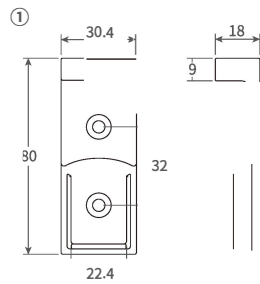
#87214SM-NK

DSR-SM Rod Supports in Black

*Side mounting with 2 screw holes, 32mm C.C.

*With locking sleeves to secure #87210 rod in position

*Covering rod ends with neat looking



#87214TM-NK

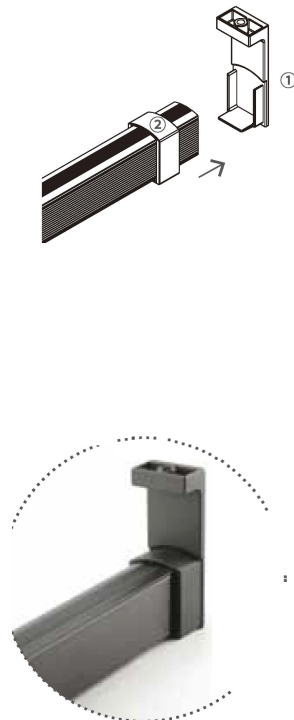
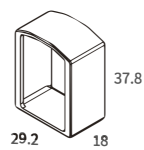
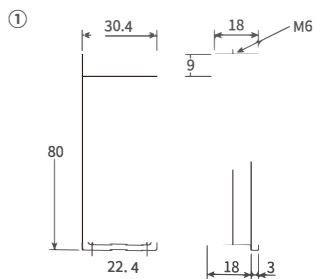
DSR-TM Rod Supports in Black

*Top mounting with M6 threaded hole &

M6x28 or M6x35mm connecting bolt

*With locking sleeves to secure #87210 rod in position

*Covering rod ends with neat looking

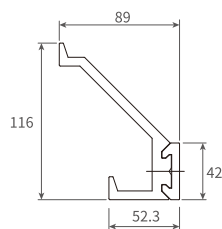


Aluminium Clothes Hanger | 鋁衣帽掛鈎

AW1150 Album Coat & Hat Hooks 鋁製衣帽掛鈎

*Made of extruded aluminium 鋁製

*Wall mounting

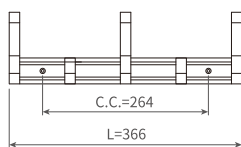


AW1150-32NK

Album Coat Hooks

*3 double hooks and 2 single hooks

*Black 黑色

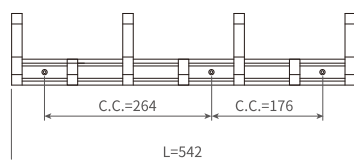


AW1150-43NK

Album Coat Hooks

*4 double hooks and 3 single hooks

*Black 黑色



APS-WS Wardrobe Pole System | 衣櫥鋁柱系統

*Optional utilization of entire closet room for clothes and personal articles

*Wall-mounted or roof / ceiling mounted aluminium pole with wide selection of wardrobe fittings and accessories

APS Aluminium Pole 鋁柱



NK
black anodized
(黑色陽極)

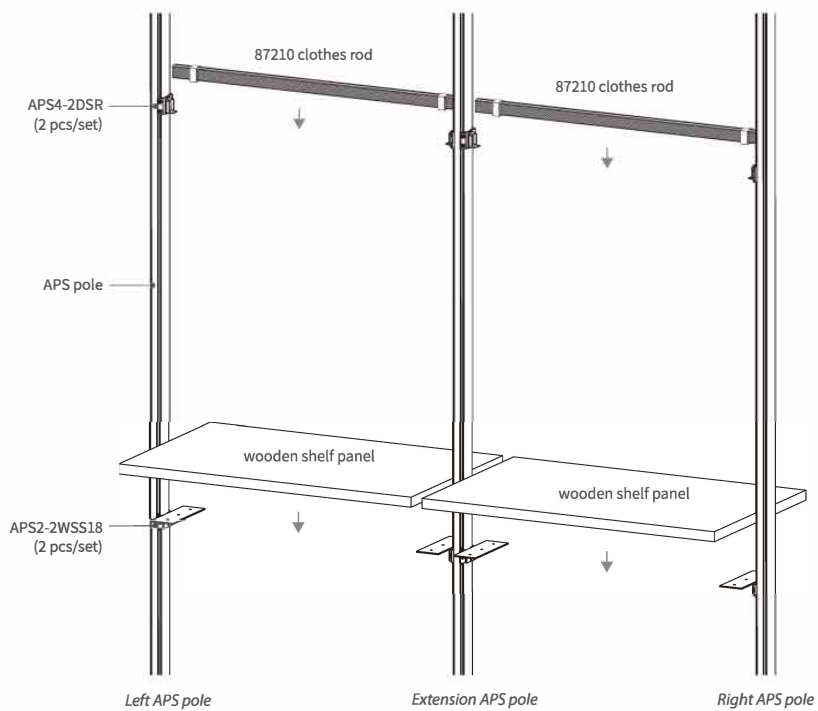


DB
dark bronzed
(深褐色)



NA
matt silver
(銀色)

Mounts various APS fixing set at the accurate positions as planned



APS-WS Wardrobe Pole System | 衣櫥鋁柱系統

APS-WM33-2

Wall-Mounted Aluminium Pole 鎖牆式鋁柱

*Depth (D): 330mm

*AL= 2,000 ~ 3,000mm

Overall height (H)= 2,050 ~ 3,050mm (±6mm)

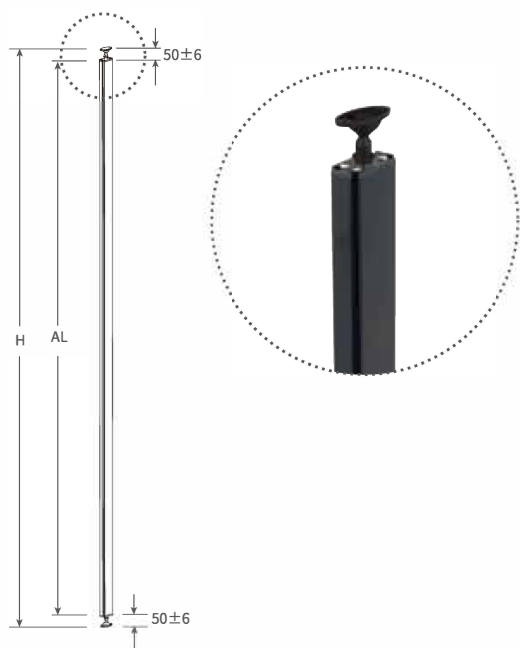


APS-TB

Top & Bottom Fixing Aluminium Pole 頂天立地式鋁柱

*AL= 2,000 ~ 3,000mm

Overall height (H)= 2,100 ~ 3,100mm (±6mm)

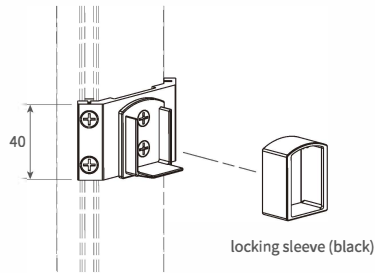


APS-WS Wardrobe Pole System | 衣櫥鋁柱系統

APS-2DSR

Rod Support Fixing Set 吊衣桿固定件

*Black (黑色), 2 pcs / set

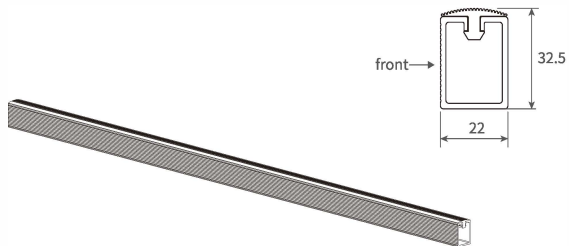


87210

DSR Aluminium Clothes Rod 鋁吊衣桿

*Aluminium rod with black soft plastic insert

*3 meters long for free cutting



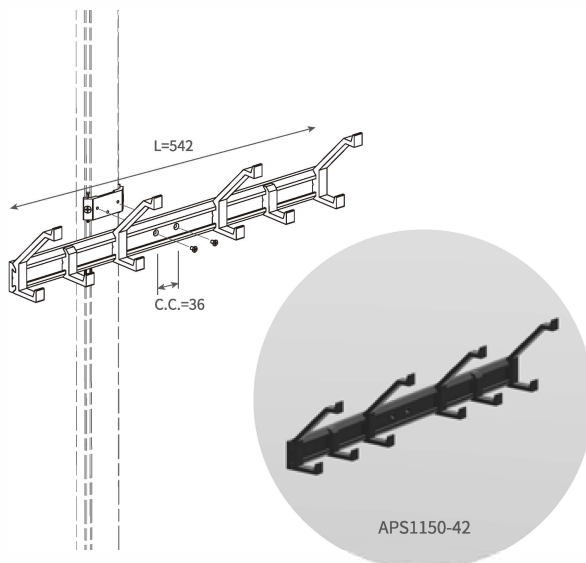
APS2-1CH

Coat Hooks Lateral Fixing 鋁製衣帽掛鉤

*Includes APS1150-42 542mm long,

4 double hooks and 2 single hooks

*All aluminium in black (黑色), 1 pc / set



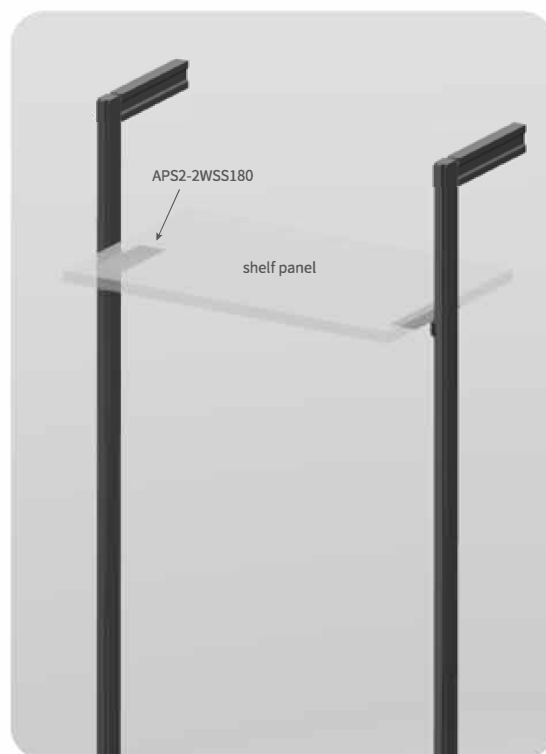
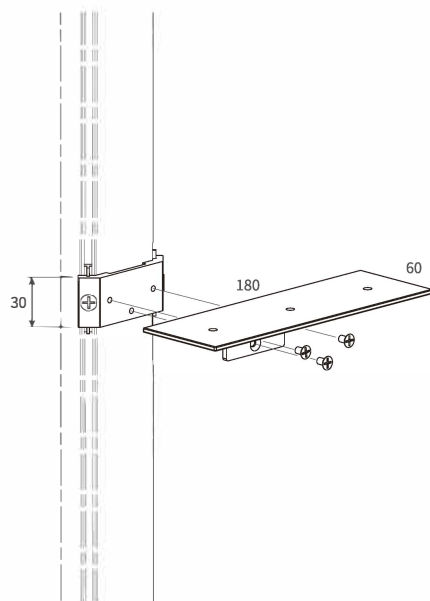
APS-WS Wardrobe Pole System | 衣櫥鋁柱系統

APS2-2WSS180

Wooden Shelf Fixing Set 層板固定件

*Dimensions: (L) 180 x (W) 60 x (H) 32.7mm

*Black (黑色), 2 pcs / set

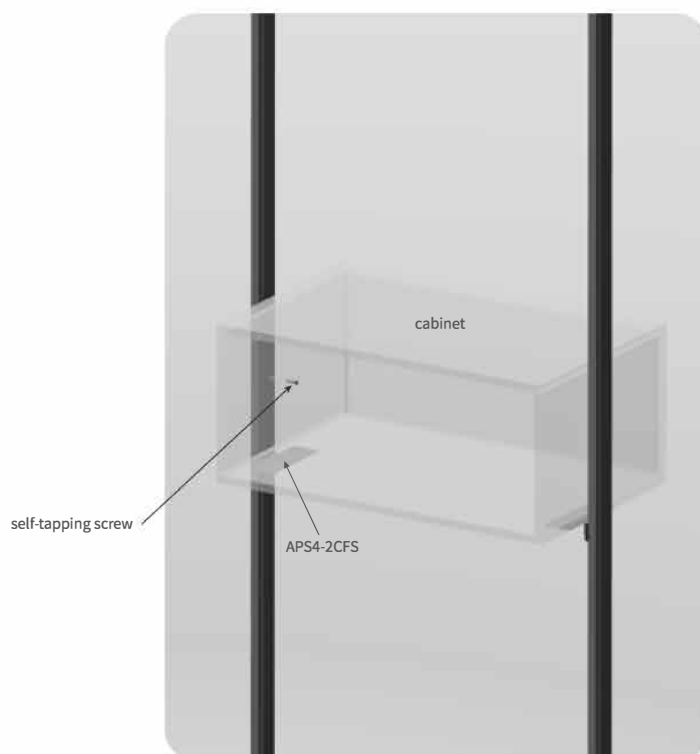
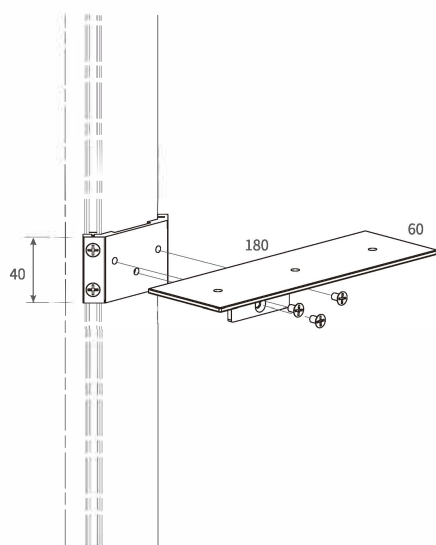


APS4-2CFS

Cabinet Fixing Set 櫥櫃固定件

*Dimensions: (L) 180 x (W) 60 x (H) 32.7mm

*Black (黑色), 2 pcs / set



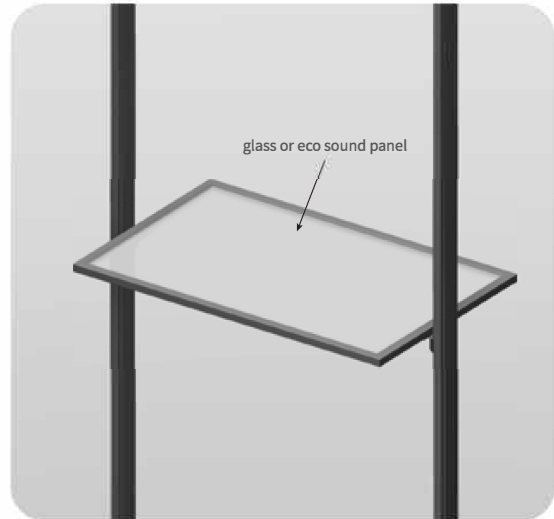
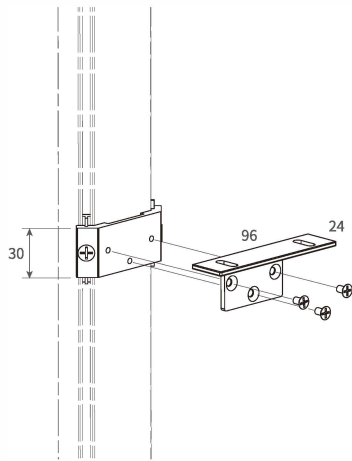
APS-WS Wardrobe Pole System | 衣櫥鋁柱系統

APS2-2SQ18

SQ18 Framed Shelf Fixing Set 框型層板固定件

*Dimensions: (L) 96 x (W) 24 x (H) 32.7mm

*Black (黑色), 2 pcs / set



Lateral Slope Shelf Fixing Set 斜面層板固定件

APS2-1SL120-L 1 pc / set (left hand)

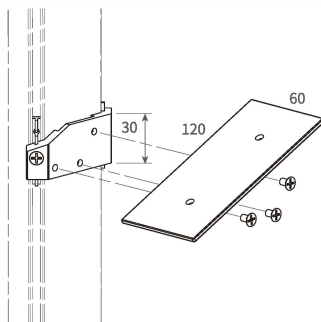
APS2-1SL120-R 1 pc / set (right hand)

APS2-2SL120 2 pcs / set (left & right hand)

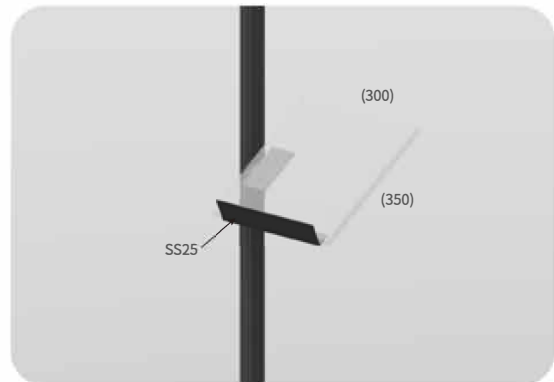
*Dimensions: (L) 120 x (W) 60 x (H) 32.7mm

*29° slope

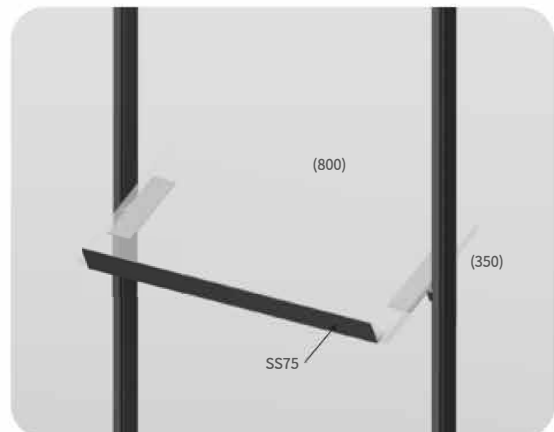
*Black (黑色)



APS2-1SL120 for 1 pair of shoes



APS2-2SL120 for 3 pairs of shoes

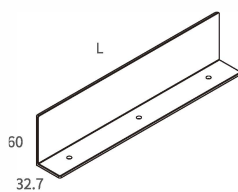


Aluminium Shoe Stopper 置鞋擋片

SS25 Dimensions: (L) 250 x (W) 32.7 x (H) 60mm

SS75 Dimensions: (L) 750 x (W) 32.7 x (H) 60mm

*Black (黑色)

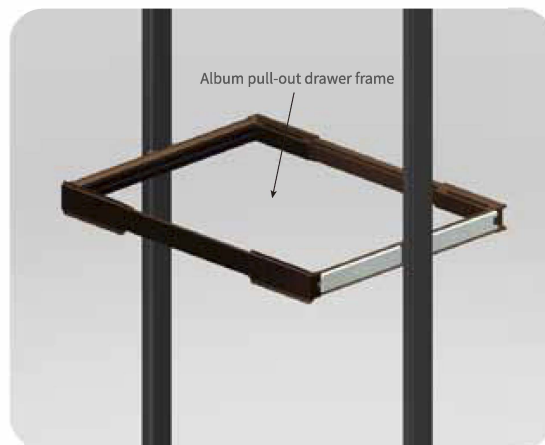
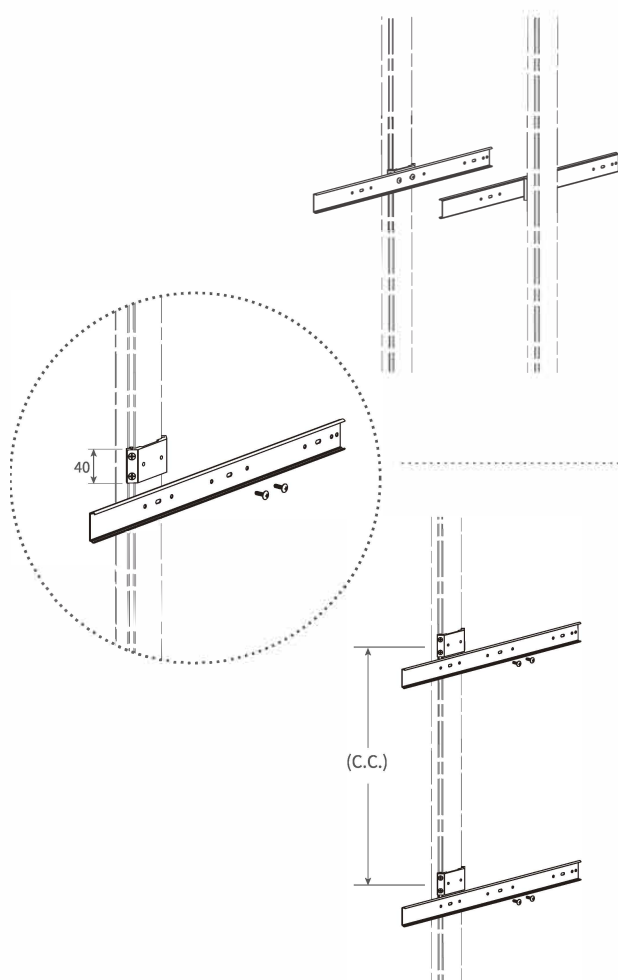


APS-WS Wardrobe Pole System | 衣櫥鋁柱系統

APS4-2DFS

Pull-Out Drawer Fixing Set 鋁框拉抽固定件

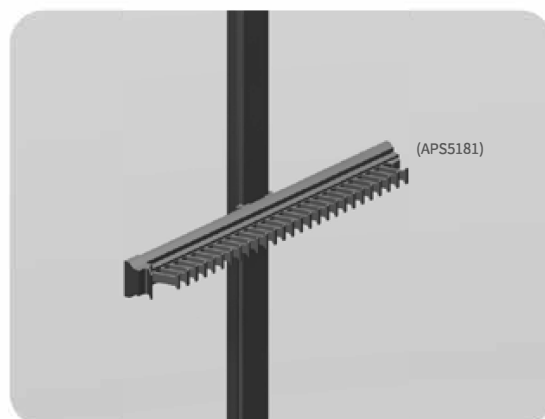
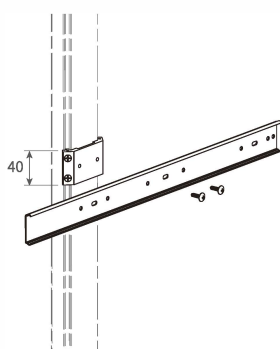
*2 pcs / set



APS4-1DFS

Lateral Rack Fixing Set 側拉收納架固定件

*1 pc / set

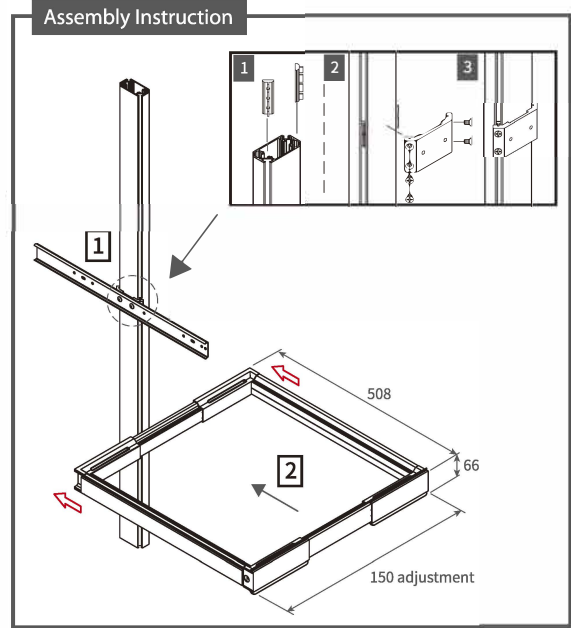
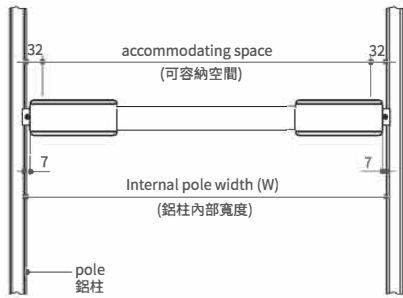


APS-WS Wardrobe Pole System | 衣櫥鋁柱系統

APS5100

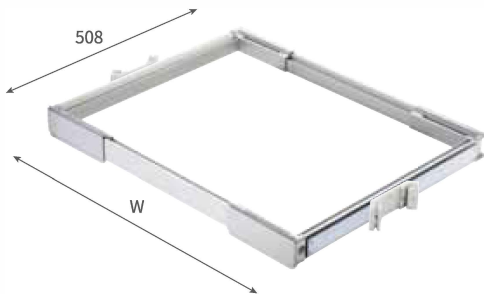
On-Pole Pull-out Drawer Frame 鋁柱型鋁框拉抽

- * Aluminium frame with soft-closing 450mm L. full extension ball bearing slides
- * With fittings to mount the drawer frame on APS51 aluminium pole
- * Easy installation with 150mm width adjustment



APS5100 On-Pole Pull-out Drawer Frame

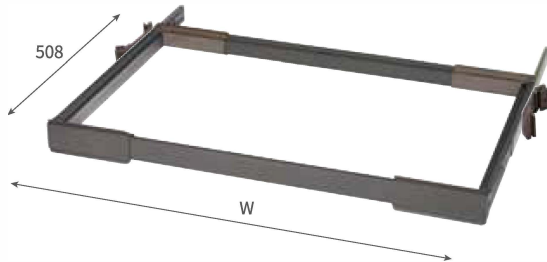
- * Finish: Matt silver 銀灰色



Item No	Internal Pole Width (W)
APS5100-55	520 ~ 670mm
APS5100-70	670 ~ 820mm
APS5100-85	820 ~ 970mm

APS5100DB On-Pole Pull-out Drawer Frame

- * Finish: Dark bronzed 深褐色

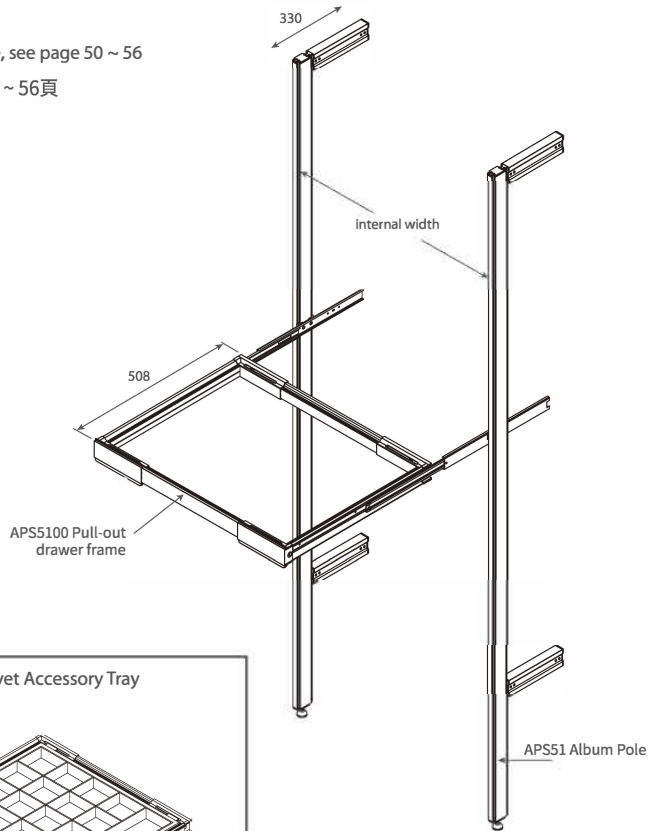
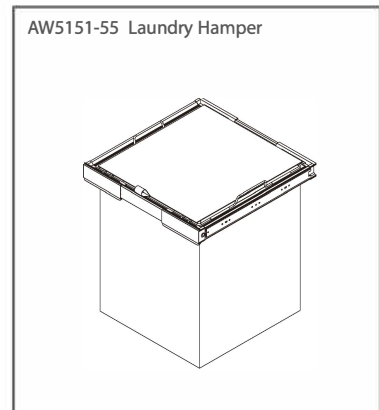
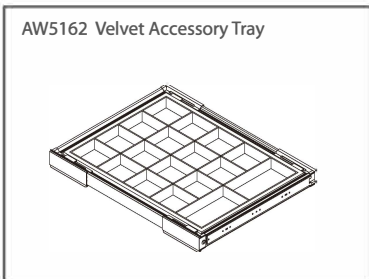
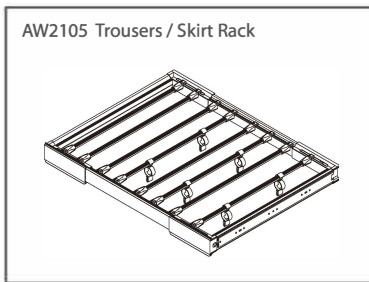
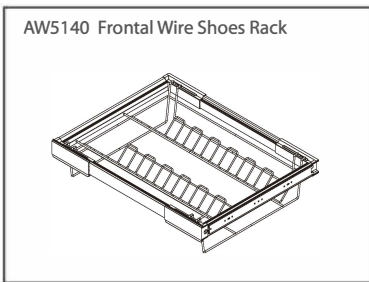
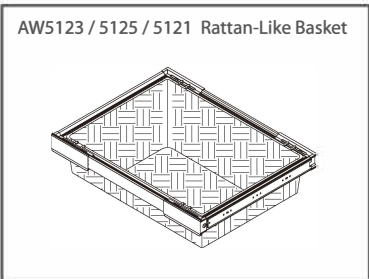
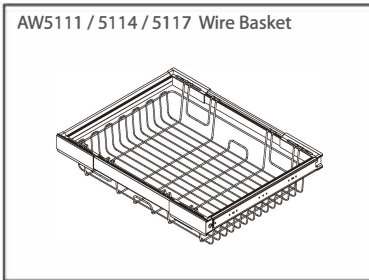


Item No	Internal Pole Width (W)
APS5100DB-55	520 ~ 670mm
APS5100DB-70	670 ~ 820mm
APS5100DB-85	820 ~ 970mm

APS-WS Wardrobe Pole System | 衣櫥鋁柱系統

* Choose various storage units for APS5100 pull-out drawer frame, see page 50 ~ 56

可選擇以下各式的儲放配件於 APS5100 鋁框拉抽內, 見第 50 ~ 56 頁



APS-WS Wardrobe Pole System | 衣櫥鋁柱系統

APS51 Pole System Lateral Racks 側拉收納架

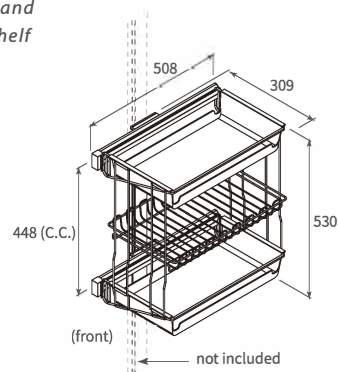
- * With soft-closing 450mm L. full extension ball bearing slide and pole fixing set

APS176

Pole System Lateral Pull-out Triple Shelving 側拉三層置物架

- * Including 2 translucent plastic trays (top and bottom) and one silver coated wire shelf (middle)

- * 銀灰色 / 半透明塑膠盤
- * 可置放手提包 (hang bag) 及個人用品

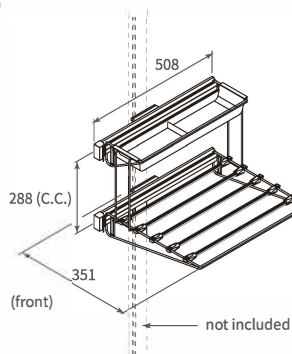


APS177

Pole System Lateral Pull-out Trousers Rack / Shelving 側拉吊褲架

- * Including 1 translucent plastic trays (top) and 5 trousers sticks (bottom)

- * 銀灰色 / 半透明塑膠盤

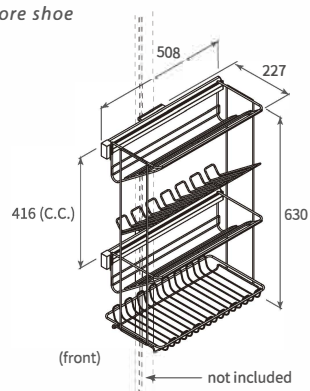


APS178

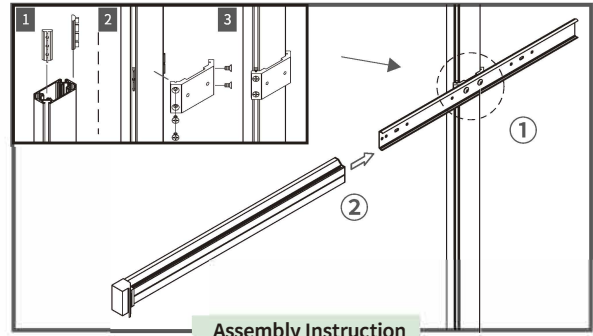
Pole System Lateral Pull-out Shoes Rack / Shelving 側拉三層置鞋架

- * Triple shoes racks plus one shelving to store shoe polishing items

- * 銀灰色
- * 可置放鞋子 (shoes) 及鞋類保養用品



APS-WS Wardrobe Pole System | 衣櫥鋁柱系統

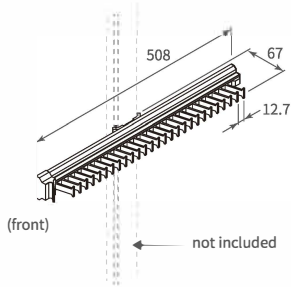


Assembly Instruction

APS5181

Pole System Lateral Tie Rack 側拉領帶架

* 27 tie hooks



APS5181

* Matt silver / black 銀灰/黑



APS5181DB

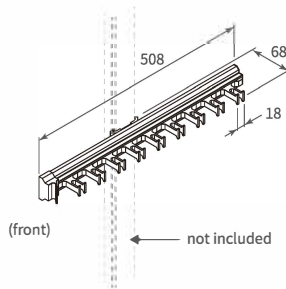
* Dark bronzed / black 深褐 / 黑



APS5183

Pole System Lateral Belt Rack 側拉皮帶架

* 9 belt hooks



APS5183

* Matt silver / black 銀灰/黑



APS5183DB

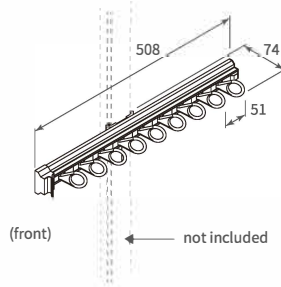
* Dark bronzed / black 深褐 / 黑



APS5185

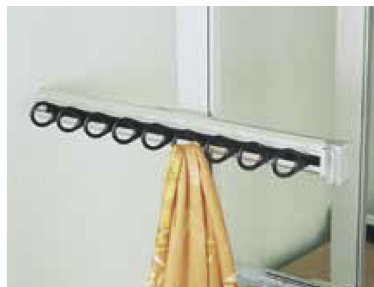
Pole System Lateral Scarf Rack 側拉絲巾架

* 9 scarf loops



APS5185

* Matt silver / black 銀灰/黑



APS5185DB

* Dark bronzed / black 深褐 / 黑



APS-WS Wardrobe Pole System | 衣櫥鋁柱系統

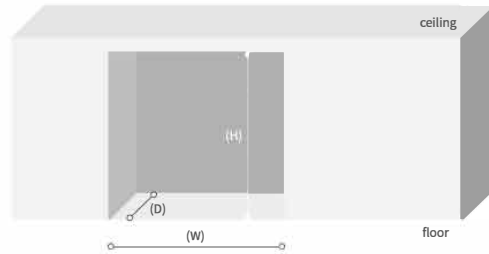
APS-WS Wardrobe Organization 1

* With 4 pcs APS-TB aluminium pole (2,500mm ±20mm)

* Cabinet depth (D): 540 ~ 600mm (櫃內深度 540 ~ 600mm)

* Cabinet height (H): 2,500mm (櫃內高度 2,500mm)

* Cabinet width (W): 2,600mm (櫃內寬度 2,600mm)

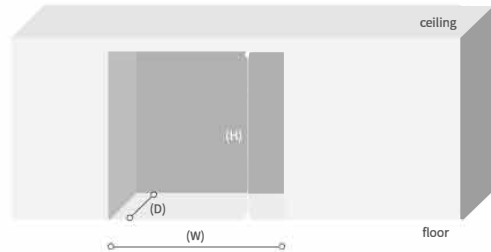


- ① APS5100-70 + AW5164-85
- ② APS5100-70 + AW5117-85
- ③ APS5100-70 + AW2105 + AW5134
- ④ APS5100-70 + AW5151-55 + AW5132
- ⑤ APS5181
- ⑥ APS5185
- ⑦ APS5183
- ⑧ 87210
- ⑨ AW2110

APS-WS Wardrobe Pole System | 衣櫥鋁柱系統

APS-WS Wardrobe Organization 2

- * With 3 pcs APS-WM33-2 aluminium pole (2,300mm ±15mm)
- * Cabinet depth (D): 540 ~ 600mm (櫃內深度 540 ~ 600mm)
- * Cabinet height (H): 2,400mm (櫃內高度 2,400mm)
- * Cabinet width (W): 2,200mm (櫃內寬度 2,200mm)



- ① APS5100-85 + AW5161-85
- ② APS5100-85 + AW5125-85
- ③ APS5177
- ④ APS5176
- ⑤ 87210
- ⑥ AW2110

APS-WS Wardrobe Pole System | 衣櫥鋁柱系統

APS-WS Wardrobe Organization

The corner solution of APS-WS & SQ18-WS

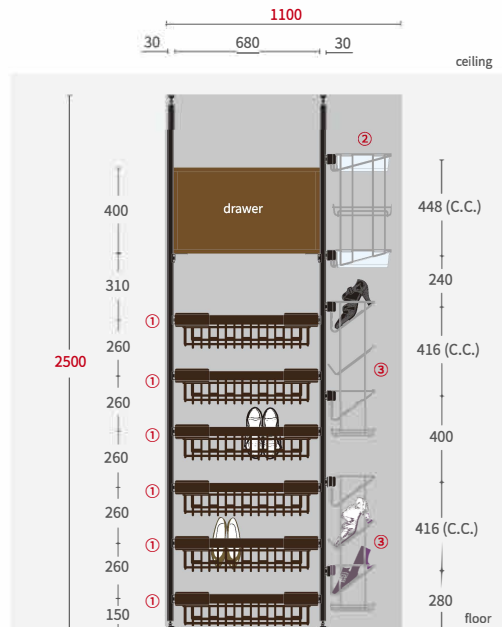
** APS-WM33-2-240 wall-mounted aluminium pole (2400mm height) + AW40 90° L corner wardrobe*



APS-WS Wardrobe Pole System | 衣櫥鋁柱系統

APS-WS Shoe Storage 1 - Stores 36 pairs of shoes

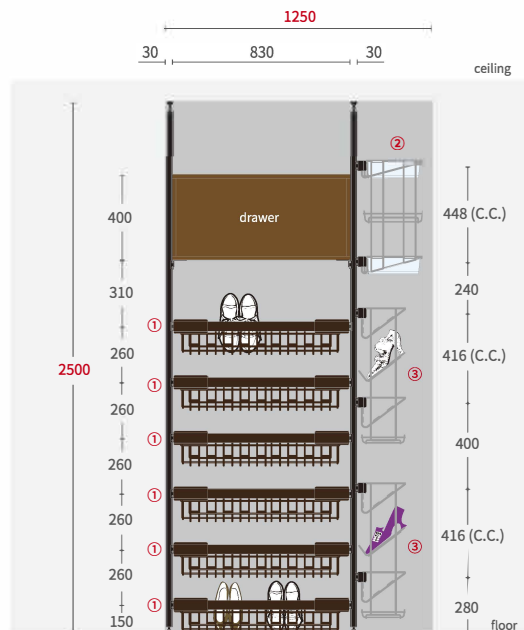
- * With 2 pcs APS-TB aluminium pole (2,500mm ±20mm)
- * Cabinet depth (D): 540 ~ 600mm (櫃內深度 540 ~ 600mm)
- * Cabinet height (H): 2,500mm (櫃內高度 2,500mm)
- * Cabinet width (W): 1,100mm (櫃內寬度 1,100mm)
- * Stores up to 36 pairs of shoes



- ① APS5100-70 + AW5140-70
- ② APS5176
- ③ APS5178

APS-WS Shoe Storage 2 - Stores 48 pairs of shoes

- * With 2 pcs APS-TB aluminium pole (2,500mm ±20mm)
- * Cabinet depth (D): 540 ~ 600mm (櫃內深度 540 ~ 600mm)
- * Cabinet height (H): 2,500mm (櫃內高度 2,500mm)
- * Cabinet width (W): 1,250mm (櫃內寬度 1,250mm)
- * Stores up to 48 pairs of shoes



- ① APS5100-85 + AW5140-85
- ② APS5176
- ③ APS5178

SQ18-WS Wardrobe Frame Structure | SQ18 衣櫥鋁框結構

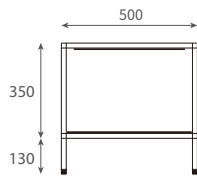
AW40 Internal Wardrobe System 開放式衣櫥組合

DS5035P-1

1-Tier Shelf Frame

*Dimensions: (D) 500 x (H) 480mm

*To be mounted with side panel

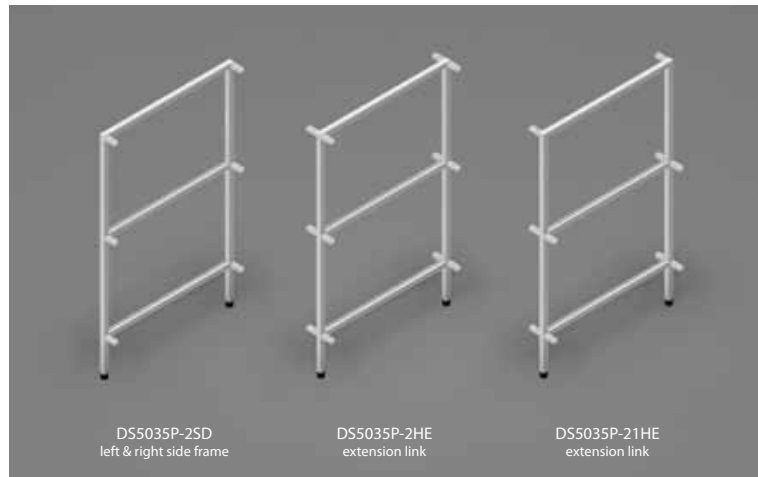
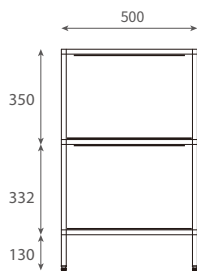


DS5035P-2

2-Tier Shelf Frame

*Dimensions: (D) 500 x (H) 812mm

*To be mounted with side panel



Drawer & Shelf Cabinet, on the ground, 500mm depth



Dimensions:
(L) 800
(D) 500
(H) 480



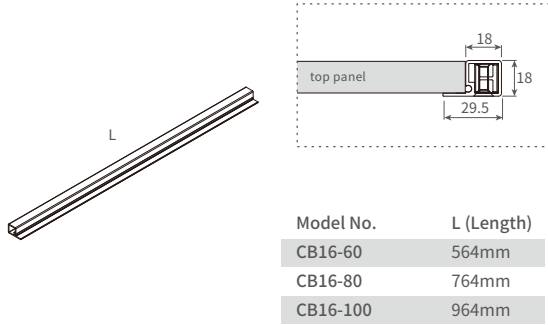
Dimensions:
(L) 800
(D) 500
(H) 812



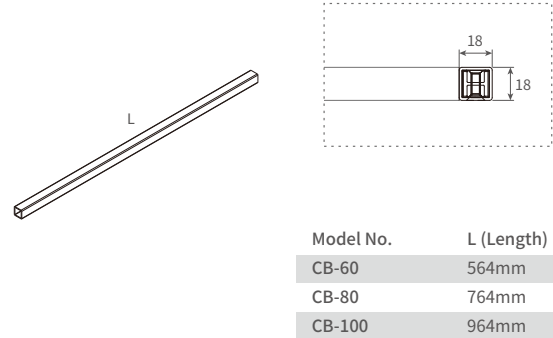
Dimensions:
(L) 2764
(D) 500
(H) 480 / 812

SQ18-WS Wardrobe Frame Structure | SQ18 衣櫥鋁框結構

CB16 Shelf Panel Cross Bar

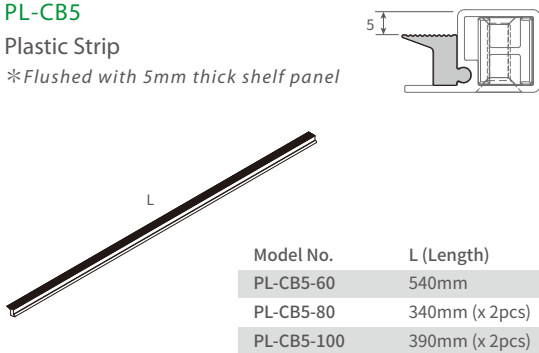


CB Cross Bar

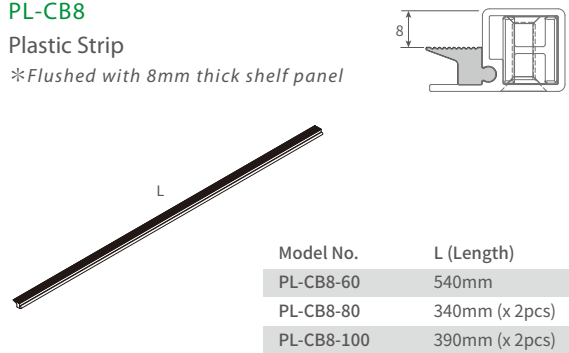


Plastic Strip *For CB16 shelf panel cross bar *Color: black

PL-CB5 Plastic Strip *Flushed with 5mm thick shelf panel

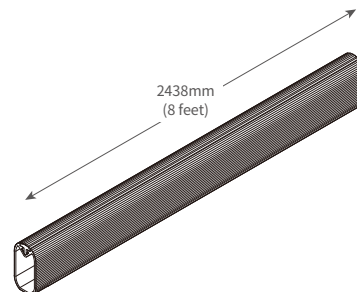
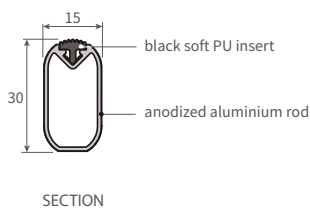


PL-CB8 Plastic Strip *Flushed with 8mm thick shelf panel



AW1101 Album Wardrobe Rail & Support

- *Extruded and anodized aluminium tube, topped with PU rubber-like insert to hold clothes hangers steadily and silently
- *Finishes: black (NK), matt silver (NA) & dark bronzed (DB)
- *Standard length: 2438mm (8 feet), for free cutting



Model No.	L (Length)
AW1101-60	590mm (for CB16-60)
AW1101-80	790mm (for CB16-80)
AW1101-100	990mm (for CB16-100)

SQ18-WS Wardrobe Frame Structure | SQ18 衣櫥鋁框結構

AW40 Internal Wardrobe System 開放式衣櫥組合

Closet Room with AW40 Internal Wardrobe System



Note:

AW40 wardrobe system can also be installed with sliding doors by the carpenter or builder.

SQ18-WS Wardrobe Frame Structure | SQ18 衣櫥鋁框結構

DSF56235P Wardrobe Structure 衣櫥櫃體結構

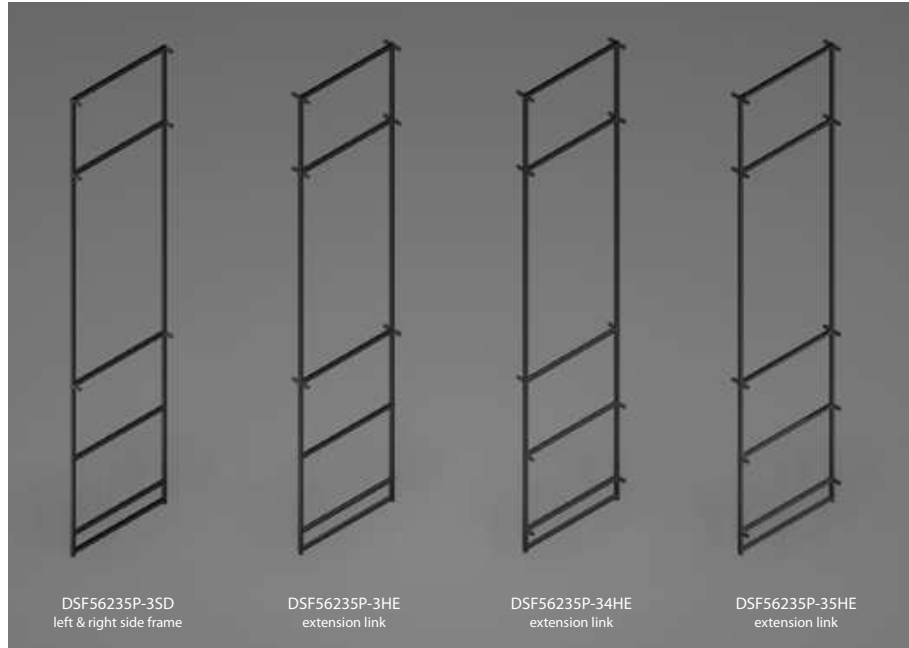
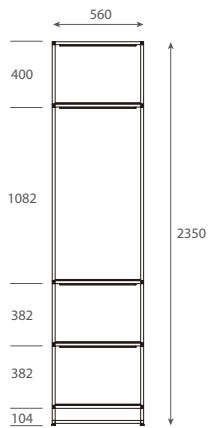
*Dimensions: (D) 560 x (H) 2350mm

*To be mounted with side panels (not included)

DSF56235P-3

Wardrobe Stand Frame

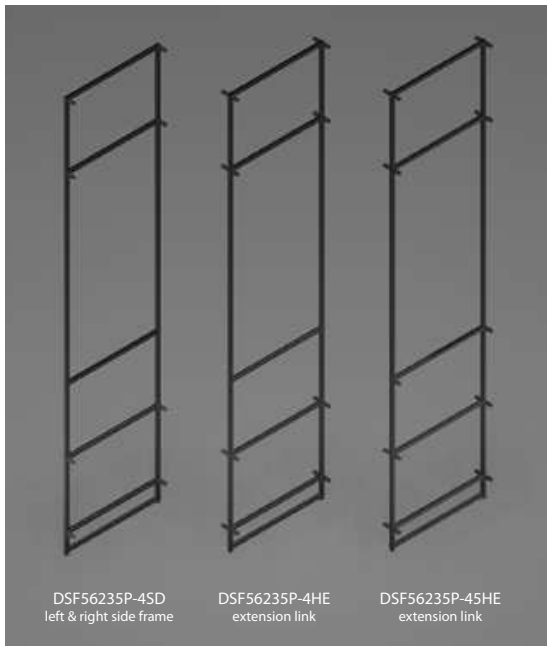
*With 3-tier link



DSF56235P-4

Wardrobe Stand Frame - 1 drawer

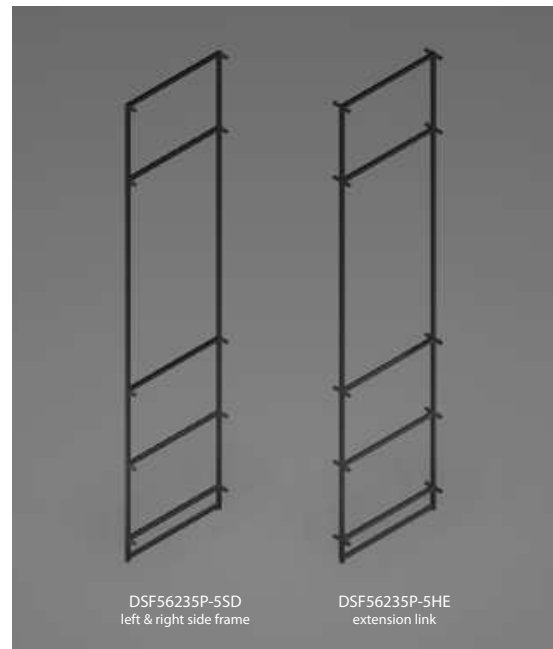
*With 4-tier link



DSF56235P-5

Wardrobe Stand Frame - 2 drawer

*With 5-tier link



SQ18-WS Wardrobe Frame Structure | SQ18 衣櫥鋁框結構

DSF56235P Wardrobe Structure 衣櫥櫃體結構

DSF56235P-3 Wardrobe

*2 x DSF56235P-3SD + 6 x CB16-80
+ 3 x shelf panel + 8 x side panel



DSF56235P-4 Wardrobe

*2 x DSF56235P-4SD + 8 x CB16-80
+ 4 x shelf panel + 8 x side panel



DSF56235P-5 Wardrobe

*2 x DSF56235P-5SD + 10 x CB16-80
+ 5 x shelf panel + 8 x side panel



DSF56235P-5 Wardrobe

*2 x DSF56235P-5SD + 10 x CB16-45
+ 5 x shelf panel + 8 x side panel

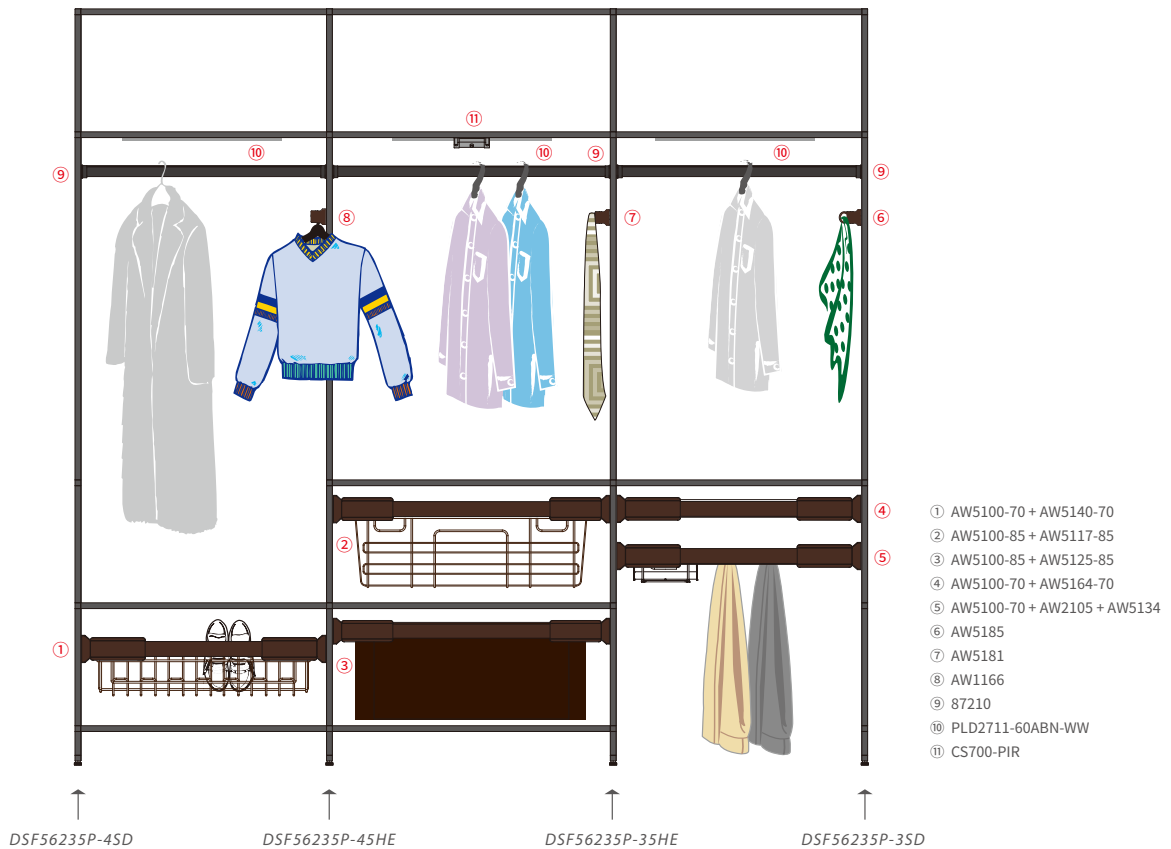
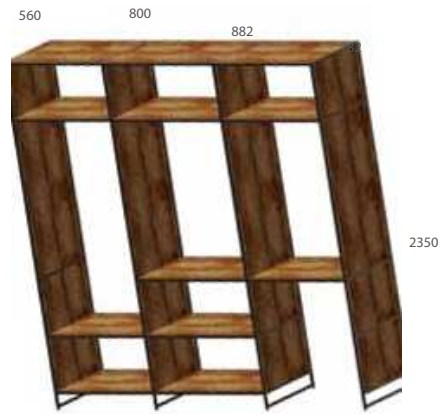


SQ18-WS Wardrobe Frame Structure | SQ18 衣櫥鋁框結構

DSF56235P Wardrobe Structure 衣櫥櫃體結構

*Dimensions: (L) 2464 x (D) 560 x (H) 2350mm

*With Album internal organizers



SQ18-WS Wardrobe Frame Structure | SQ18 衣櫥鋁框結構

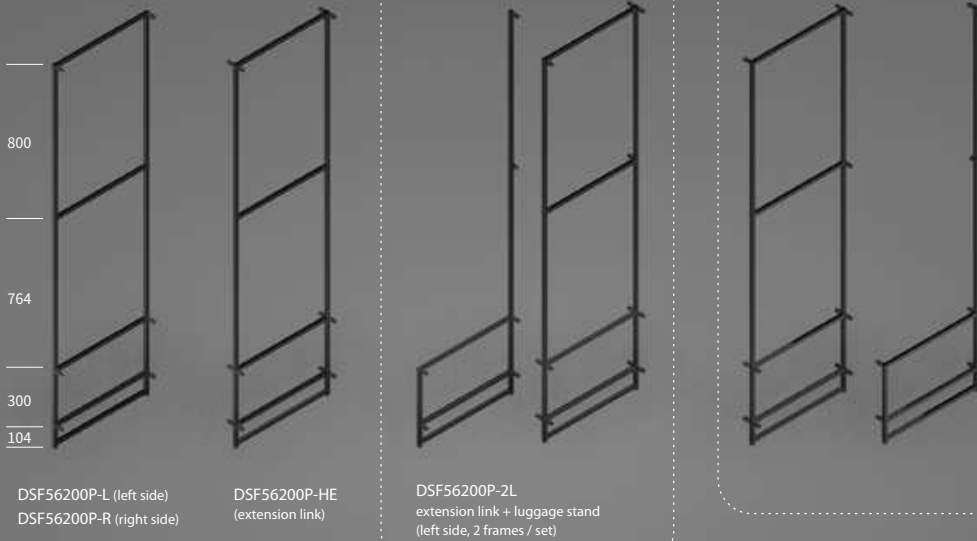
DSF56200P Wardrobe Structure 衣櫥櫃體結構

*Dimensions: (D) 560 x (H) 1968mm

*To be mounted with side panels (not included)

DSF56200P Wardrobe Stand Frame

*Dimensions: (D) 560 x (H) 1968mm



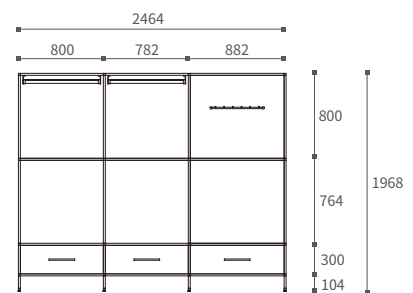
DSF56200P Wardrobe Structure 衣櫥櫃體結構

*Dimensions: (L) 2464 x (D) 560 x (H) 1968mm



Ingredients:

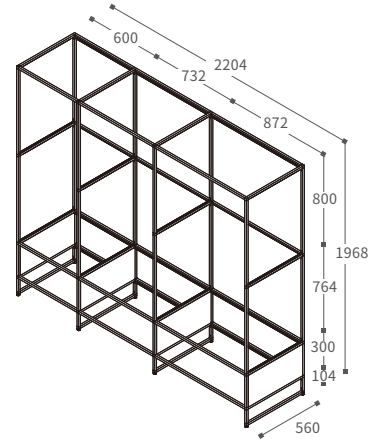
- 1 x DSF56200P-L
- 1 x DSF56200P-HE
- 1 x DSF56200P-2R
- 6 x CB16-764
- 2 x CB16-864
- 2 x CB16-T764
- 1 x CB-T864
- 2 x CB-I764
- 1 x CB-I864
- 2 x CB16-I764
- 1 x CB16-I864
- 2 x CB16-B764
- 1 x CB16-B864
- 6 x back panels
- 3 x drawer set
- 1 x DI-HKP66
- 2 x 87210



SQ18-WS Wardrobe Frame Structure | SQ18 衣櫥鋁框結構

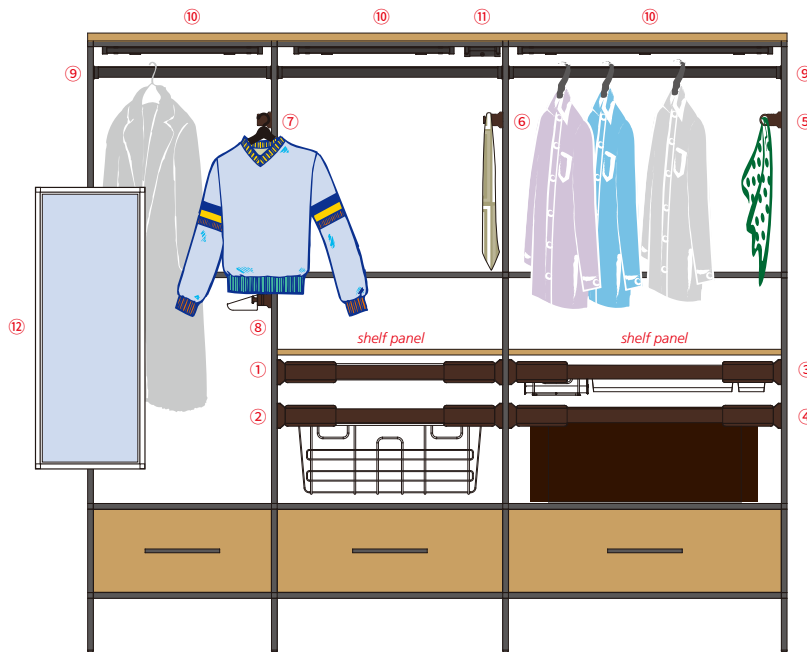
DSF56200P Wardrobe Structure 衣櫥櫃體結構

*Dimensions: (L) 2204 x (D) 560 x (H) 1968mm
 *To be mounted with side panels (not included)



- Ingredients:
- 1 x DSF56200P-L
 - 1 x DSF56200P-R
 - 2 x DSF56200P-HE
 - 1 x CB-564
 - 1 x CB-714
 - 1 x CB-854
 - 1 x CB16T-564
 - 1 x CB16T-714
 - 1 x CB16T-854
 - 1 x CB16B-564
 - 1 x CB16B-714
 - 1 x CB16B-854
 - 4 x CB16-564
 - 4 x CB16-714
 - 4 x CB16-854

DSF56200P Wardrobe with Album Internal Organizers



- ① AW5100-70 + AW5162-70
- ② AW5100-70 + AW5117-70
- ③ AW5100-70 + AW5130 + AW5133 + AW5134
- ④ AW5100-70 + AW5125-85
- ⑤ AW5185
- ⑥ AW5181
- ⑦ AW1166
- ⑧ AW5182
- ⑨ 87210
- ⑩ PLD2703-53 / 83
- ⑪ CS700-PIR
- ⑫ SQ18-mirror

SQ18-WS Wardrobe Frame Structure | SQ18 衣櫥鋁框結構

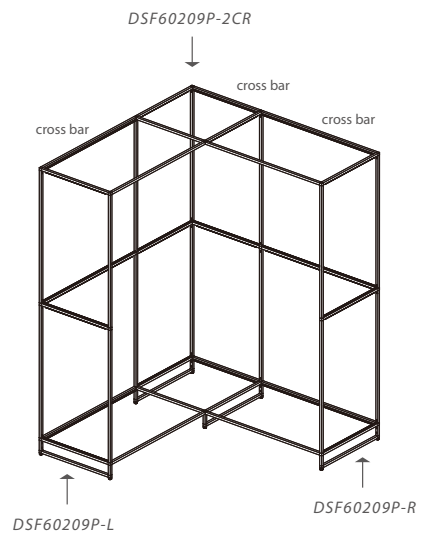
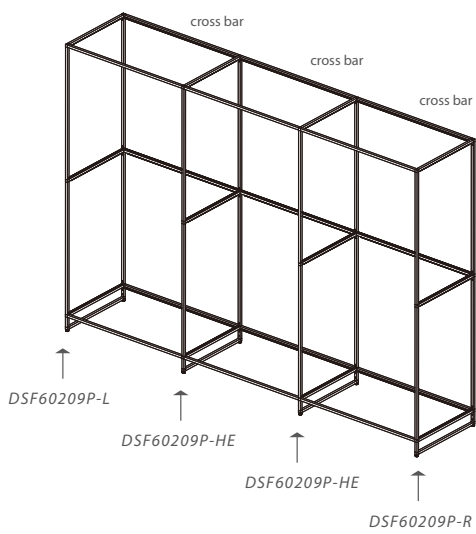
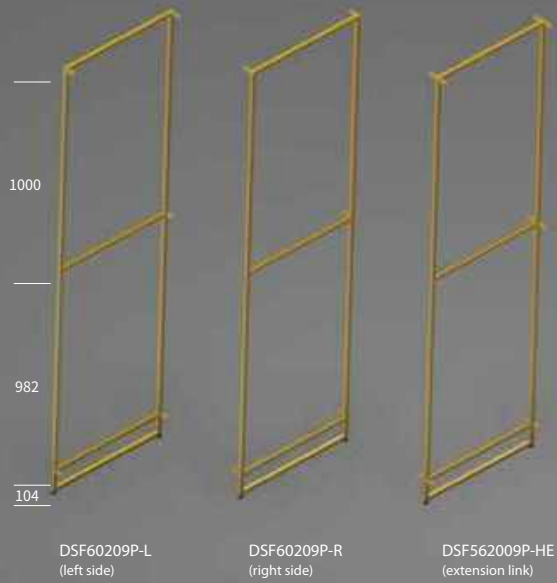
DSF60209P Wardrobe Structure 衣櫥櫃體結構

*Dimensions: (D) 600 x (H) 2086mm

*To be mounted with side panels (not included)

DSF60209P Wardrobe Stand Frame

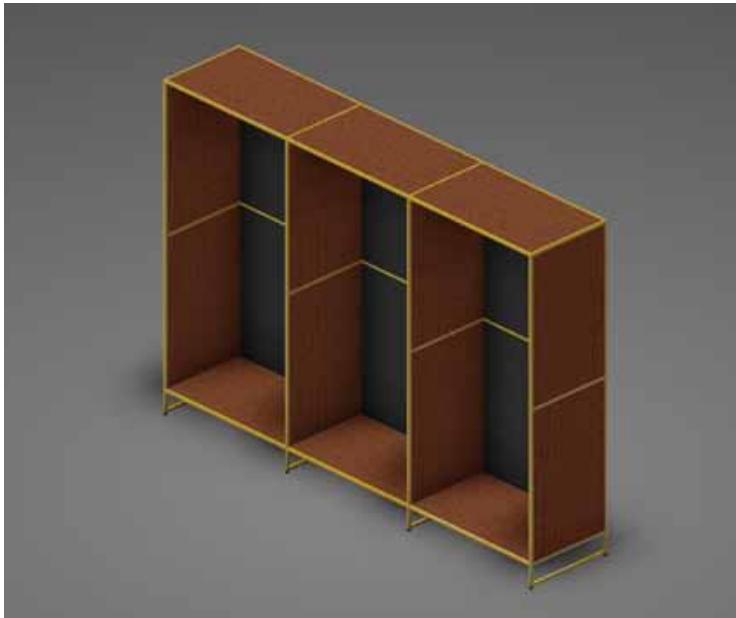
*Dimensions: (D) 600 x (H) 2086mm



SQ18-WS Wardrobe Frame Structure | SQ18 衣櫥鋁框結構

DSF60209P Wardrobe Structure 衣櫥櫃體結構

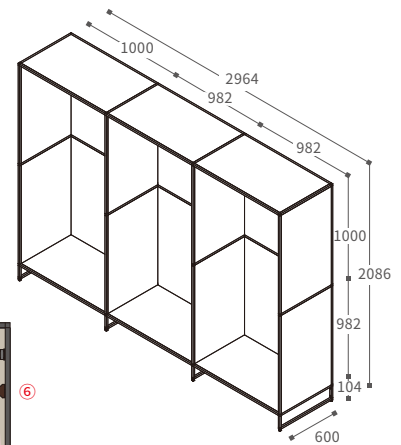
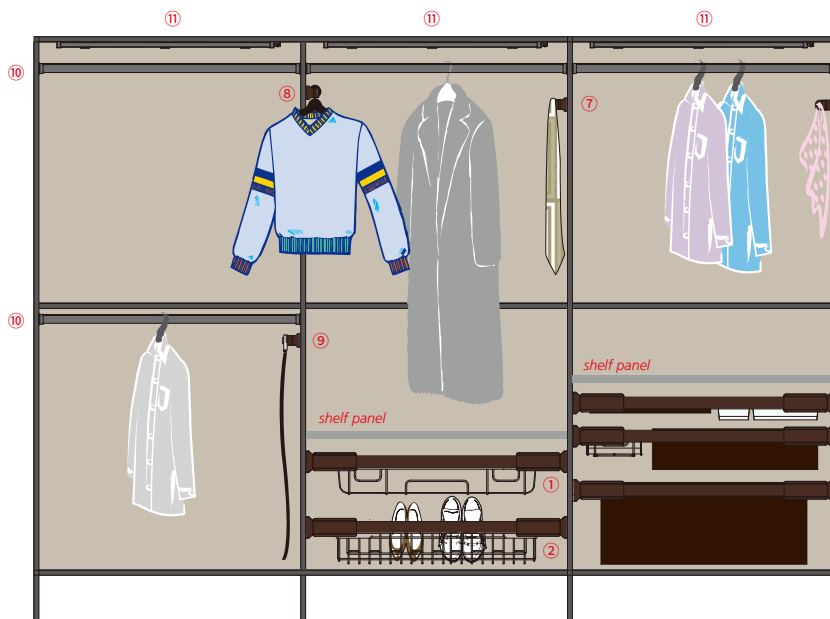
*Dimensions: (L) 2964 x (D) 600 x (H) 2086mm



Ingredients:

- 1 x DSF60209P-L
- 1 x DSF60209P-R
- 2 x DSF60209P-HE
- 6 x CB16-964
- 3 x CB16T-964
- 3 x CB16I-964
- 6 x back panel
- 6 x shelf panel

DSF60209P Wardrobe with Album Internal Organizers

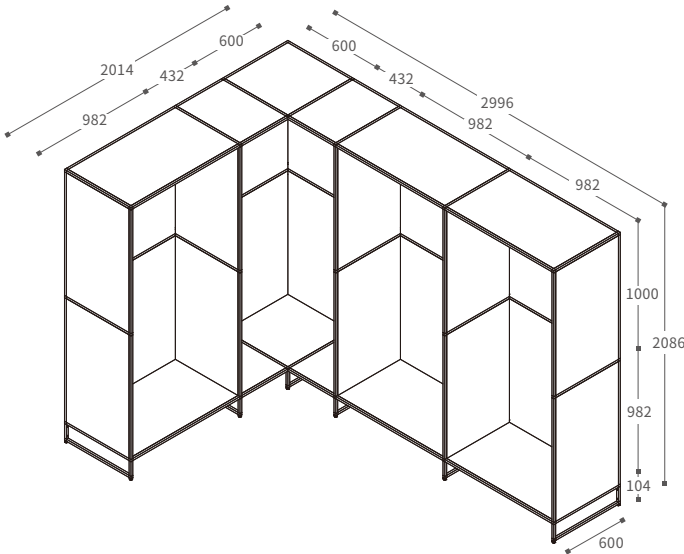
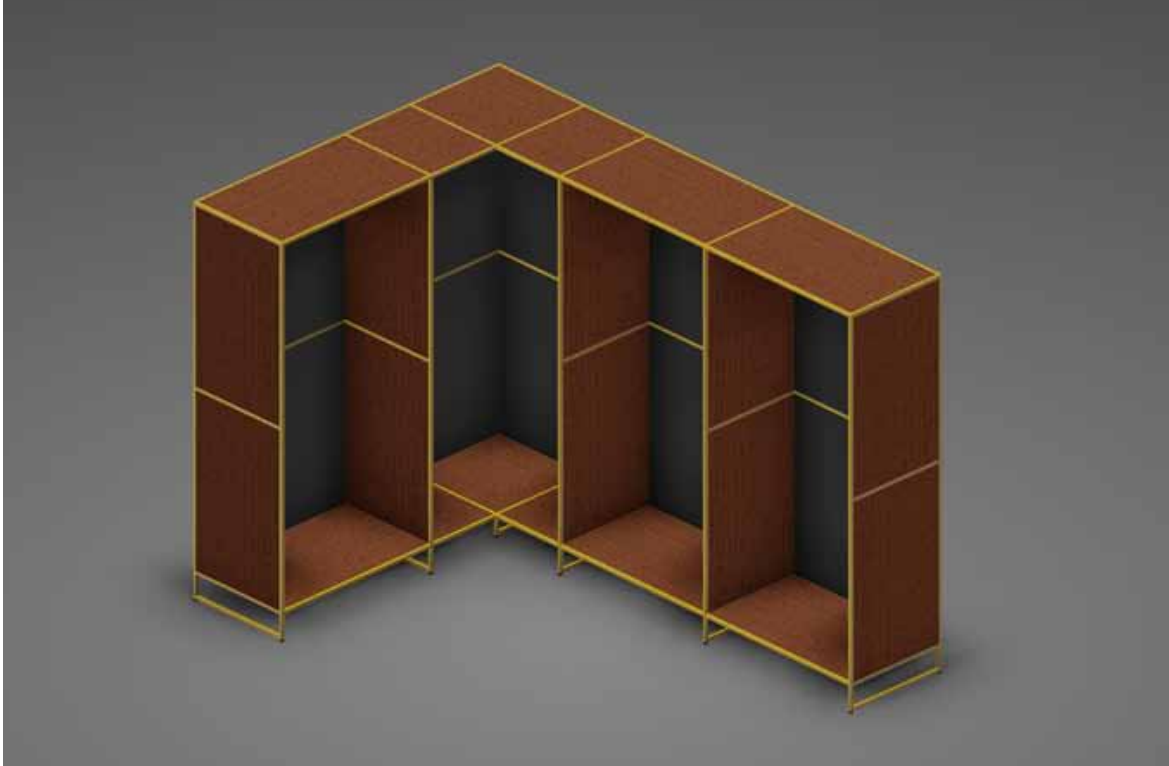


- ① AW5100-85 + AW5114-85
- ② AW5100-85 + AW5140-85
- ③ AW5100-85 + AW5162-55 + AW5131 + AW5132
- ④ AW5100-85 + AW5123-70 + AW5134
- ⑤ AW5100-85 + AW5125-85
- ⑥ AW5185
- ⑦ AW5181
- ⑧ AW1166
- ⑨ AW5183
- ⑩ 87210
- ⑪ XP2703PIR-83

SQ18-WS Wardrobe Frame Structure | SQ18 衣櫥鋁框結構

DSF60209P Wardrobe Structure 衣櫥櫃體結構

*Dimensions: (L) 2996 x (W) 2014 x (H) 2086mm



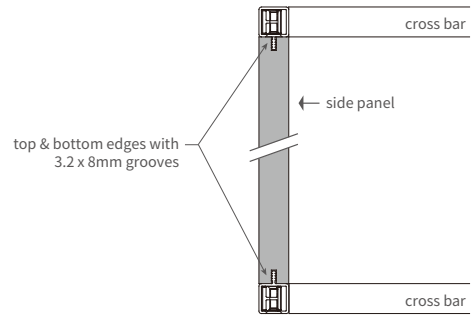
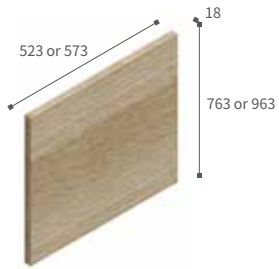
- Ingredients:
- 1 x DSF60209P-2CR
 - 1 x DSF60209P-L
 - 1 x DSF60209P-R
 - 3 x DSP60209P-HE
 - 6 x CB16-964
 - 3 x CB16T-964
 - 3 x CB16I-964
 - 2 x CB16-564
 - 2 x CB16T-564
 - 2 x CB16I-564
 - 4 x CB16-414
 - 2 x CB16T-414
 - 2 x CB16I-414
 - 14 x back panel
 - 12 x shelf panel

SQ18-WS Wardrobe Frame Structure | SQ18 衣櫥鋁框結構

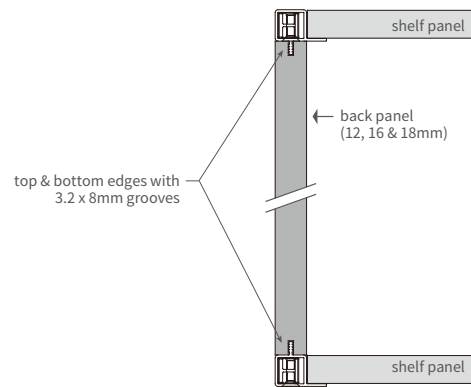
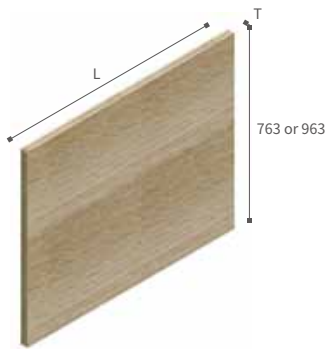
Side Panel

* 18mm thickness laminated chipboard

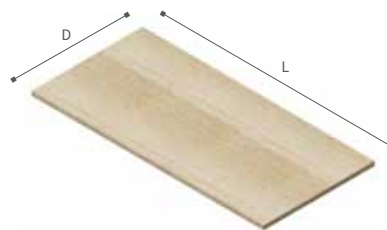
* Available with predrilled holes for door hinges or drawer slides



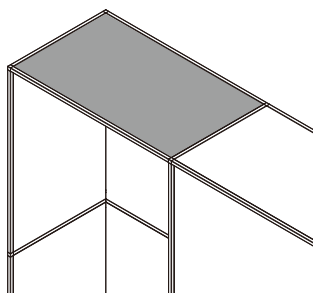
Back Panel - Laminated Chipboard



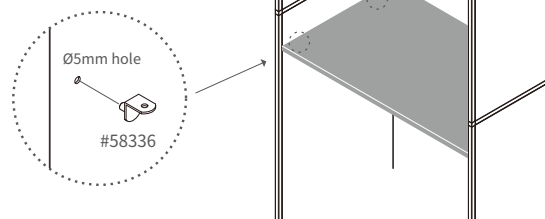
Shelf Panel - Laminated Chipboard



- 1) Inlay shelf panel on CB16 cross bar
 D= 522mm for 560mm depth cabinet
 D= 562mm for 600mm depth cabinet



- 2) Internal shelf panel on shelf supports (pins) mounted on side panel
 D= 522mm for 560mm depth cabinet
 D= 562mm for 600mm depth cabinet



SQ18-WS Wardrobe Frame Structure | SQ18 衣櫥鋁框結構

Shoes Storage Pull-out Drawer and 180° Swivel Mechanism

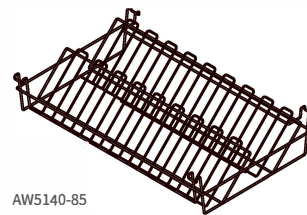
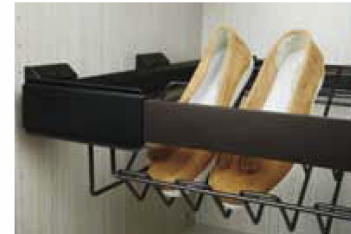
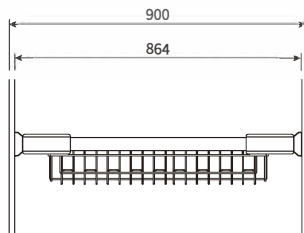
AW5100-85 Pull-out Drawer Frame

AW5140-85 Frontal Wire Shoes Rack

*For 560 ~ 600mm wardrobe cabinet depth

*Finishes: matt silver (NA) or dark bronzed (DB)

*Stores 6 pairs of shoes



AW5100-85 + AW5140-85

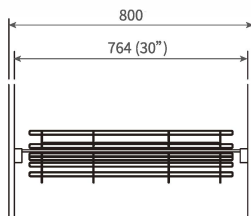
AW14045

Frontal Wire Shoes Rack

*For 16" (400mm) or 18" (450mm) depth wardrobe

*Finishes: matt silver (NA)

*Stores 6 pairs of shoes



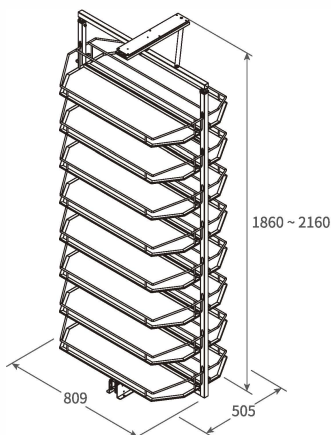
SWR19-48

Shoes Rack with 180° Swivel Mechanism

*Internal cabinet dimensions (Min.): (D) 520 x (W) 820mm

*Shoes brackets on both sides included

*Stores 48 pairs of shoes



Shoes Bracket: (W) 787 x (D) 238mm



SQ18-WS Wardrobe Frame Structure | SQ18 衣櫥鋁框結構

Shoes Storage Pull-out Drawer and 180° Swivel Mechanism

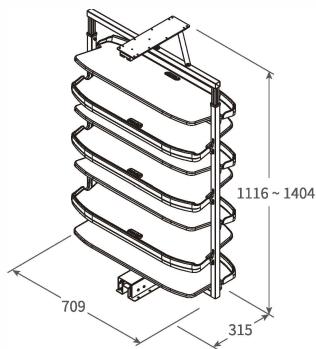
SWR18-21

Shoes Rack with 180° Swivel Mechanism

*Internal cabinet dimensions (Min.): (D) 320 x (W) 720 x (H) 1120 ~ 1400mm

*Shoes racks on both sides included

*Stores 21 pairs of shoes



Shoes Rack: (W) 692 x (D) 296mm



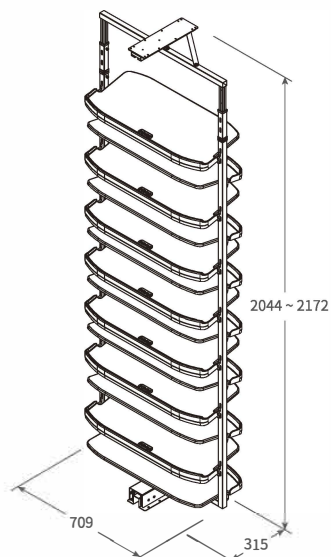
SWR18-42

Shoes Rack with 180° Swivel Mechanism

*Internal cabinet dimensions (Min.): (D) 320 x (W) 720 x (H) 2050 ~ 2170mm

*Shoes racks on both sides included

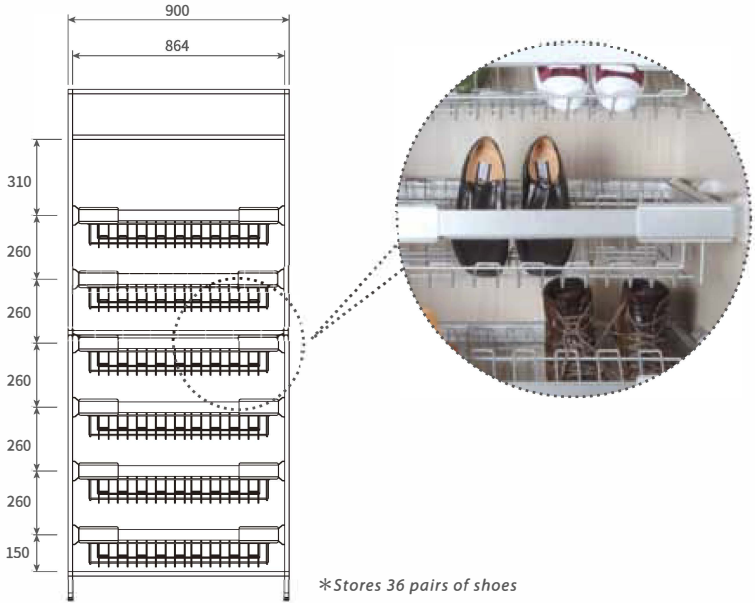
*Stores 42 pairs of shoes



SQ18-WS Wardrobe Frame Structure | SQ18 衣櫥鋁框結構

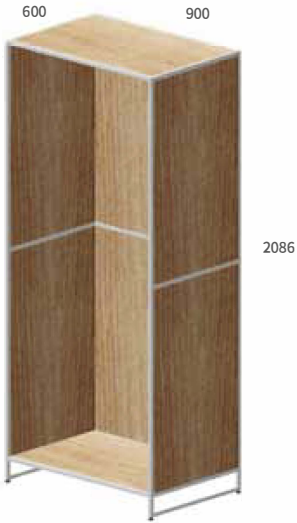
SQ18WS Shoes Storage 1

Installed with pull-out drawer (AW5100-85 + AW5140-85)



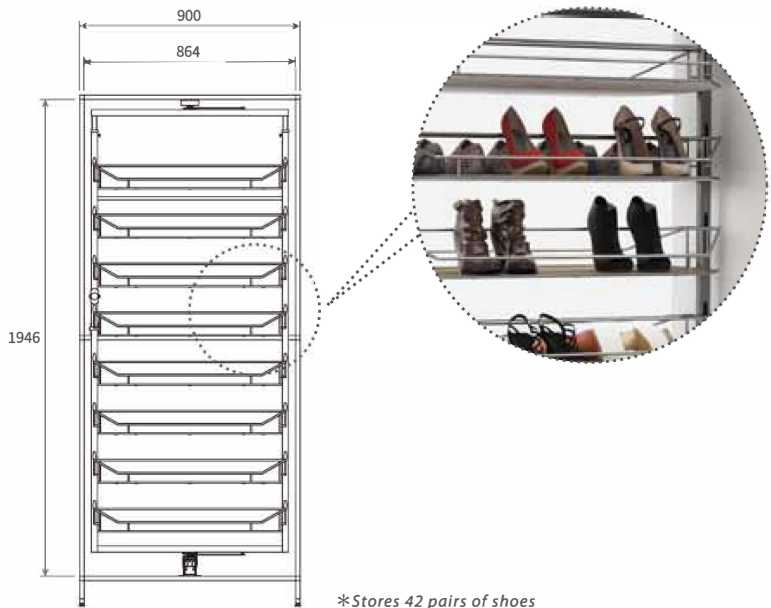
*Stores 36 pairs of shoes

DSF60209-90 Wardrobe
Dimensions: (L) 900 x (D) 600 x (H) 2086



SQ18WS Shoes Storage 2

Installed with SWR19-48 shoes rack with 180° swivel mechanism



*Stores 42 pairs of shoes

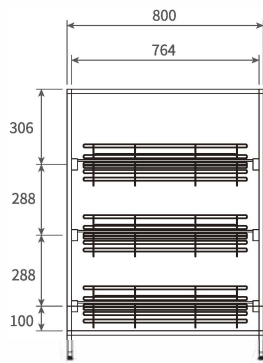
SQ18-WS Wardrobe Frame Structure | SQ18 衣櫥鋁框結構

SQ18WS Shoes Storage 3

Installed with 3 sets of AW14045-30

DSF40110-80 Wardrobe

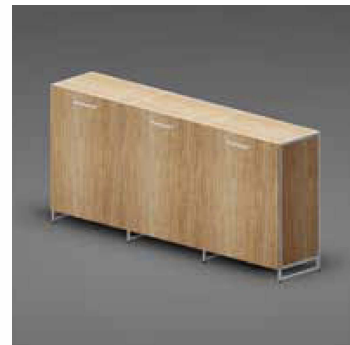
Dimensions: (L) 800 x (D) 400 x (H) 1104



*Stores 18 pairs of shoes

3DSF45110-80 Wardrobe

Dimensions: (L) 2364 x (D) 450 x (H) 1104



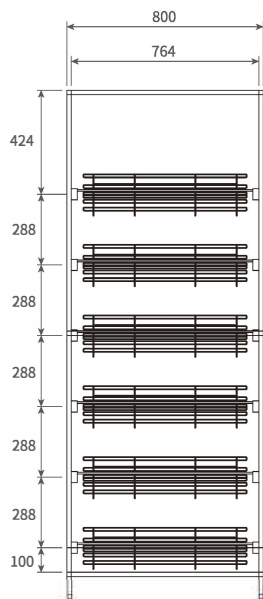
for wardrobe or hallway (適用於玄關)

SQ18WS Shoes Storage 4

Installed with 6 sets of AW14045-30

DSF40209-80 Wardrobe

Dimensions: (L) 800 x (D) 400 x (H) 2086



*Stores 36 pairs of shoes

2DSF45209-80 Wardrobe

Dimensions: (L) 1582 x (D) 450 x (H) 2086



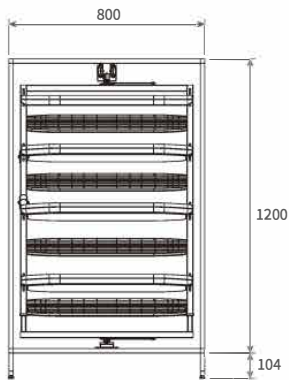
SQ18-WS Wardrobe Frame Structure | SQ18 衣櫥鋁框結構

SQ18WS Shoes Storage 5

Installed with SWR18-21 shoes rack with 180° swivel mechanism

DSF35131-80 Wardrobe

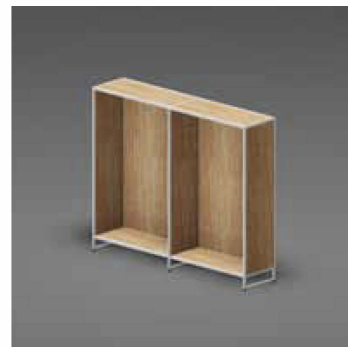
Dimensions: (L) 800 x (D) 350 x (H) 1304



*Stores 21 pairs of shoes

2DSF35131-80 Wardrobe

Dimensions: (L) 1582 x (D) 350 x (H) 1304



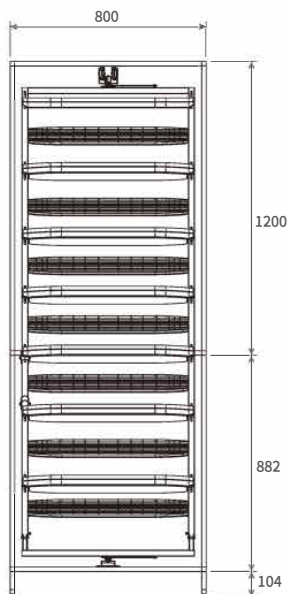
for wardrobe or hallway (適用於玄關)

SQ18WS Shoes Storage 6

Installed with SWR18-42 shoes rack with 180° swivel mechanism

DSF35219-80 Wardrobe

Dimensions: (L) 800 x (D) 350 x (H) 2186



*Stores 42 pairs of shoes

2DSF35219-80 Wardrobe

Dimensions: (L) 1582 x (D) 350 x (H) 2186



Album wardrobe organizers | 拉抽及各式配件組合

* Wardrobe depth: 560 ~ 600mm 櫥櫃深度: 560 ~ 600mm

* Effectively use wardrobe interior for optimal storage 極致運用衣櫥內部的每一寸空間

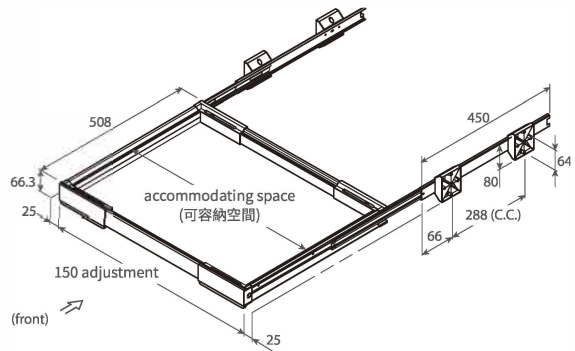
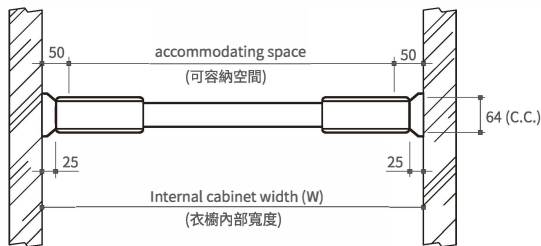
AW5100

Cabinet Pull-out Drawer Frame 衣櫥鋁框拉抽

* Aluminium frame with soft-closing 450mm L. full extension ball bearing slides

* For 560 ~ 600mm wardrobe cabinet depth

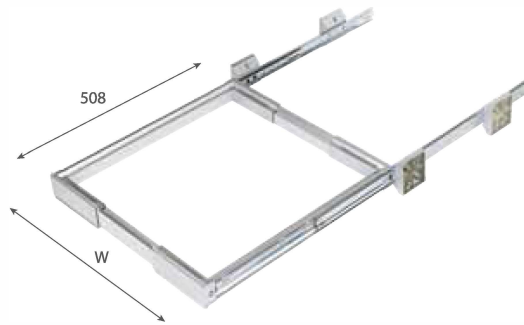
* Quick cabinet installation, with 150mm width adjustment



AW5100

Cabinet Pull-out Drawer Frame

* Finish: Matt silver 銀灰色

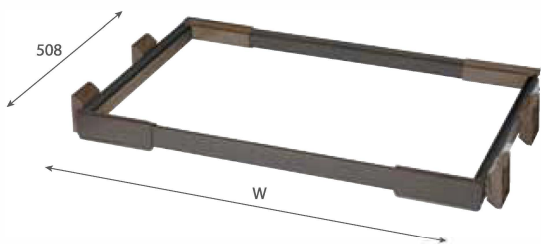


Item No	Internal Cabinet Width (W)
AW5100-55	555 ~ 705mm
AW5100-70	705 ~ 855mm
AW5100-85	855 ~ 1,000mm

AW5100DB

Cabinet Pull-out Drawer Frame

* Finish: Dark bronzed 深褐色

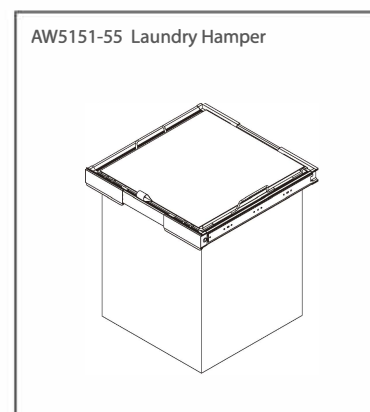
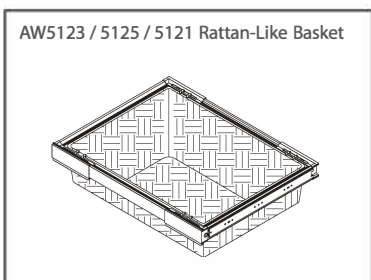
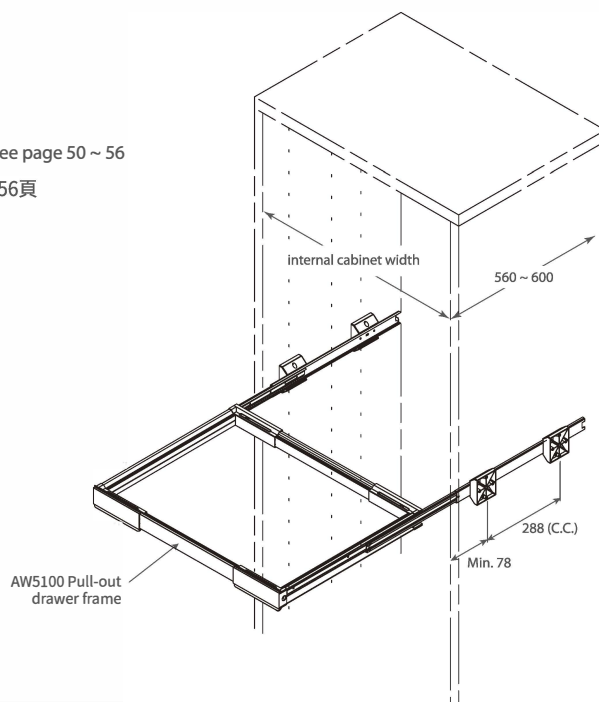
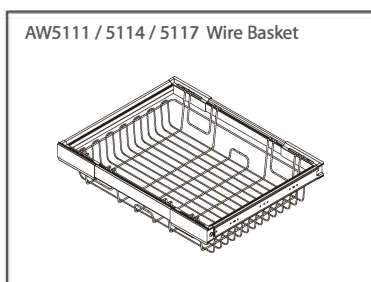


Item No	Internal Cabinet Width (W)
AW5100DB-55	555 ~ 705mm
AW5100DB-70	705 ~ 855mm
AW5100DB-85	855 ~ 1,000mm

Album wardrobe organizers | Pull-out Drawer & Accessories | 拉抽及各式配件組合

* Choose various storage units for AW5100 pull-out drawer frame, see page 50 ~ 56

可選擇以下各式的儲放配件於 AW5100 鋁框拉抽內, 見第 50 ~ 56 頁

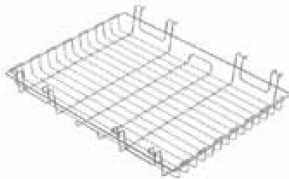


Album wardrobe organizers | 拉抽及各式配件組合

Album Wire Baskets 儲物收納線籃

* Silver powder coated steel wire 銀灰色

AW5111 Low Baskets



Item No	Dimensions (WxDxH)
AW5111-55	437 x 441 x 87 mm
AW5111-70	587 x 441 x 87 mm
AW5111-85	737 x 441 x 87 mm

AW5114 Medium Baskets

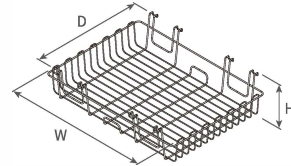


Item No	Dimensions (WxDxH)
AW5114-55	437 x 441 x 140 mm
AW5114-70	587 x 441 x 140 mm
AW5114-85	737 x 441 x 140 mm

AW5117 Deep Baskets



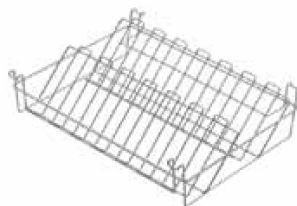
Item No	Dimensions (WxDxH)
AW5117-55	437 x 441 x 275 mm
AW5117-70	587 x 441 x 275 mm
AW5117-85	737 x 441 x 275 mm



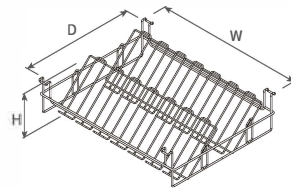
AW5140

Frontal Wire Shoes Racks 置鞋架

* Silver powder coated steel wire 銀灰色



Item No	Dimensions (WxDxH)
AW5140-55	445 x 441 x 156 mm
AW5140-70	595 x 441 x 156 mm
AW5140-85	745 x 441 x 156 mm

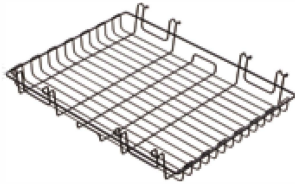


Album Pull-out Drawer & Accessories | 拉抽及各式配件組合

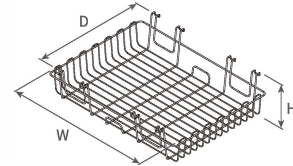
Album Wire Baskets 儲物收納線籃

* Dark bronze coated steel wire 深褐色

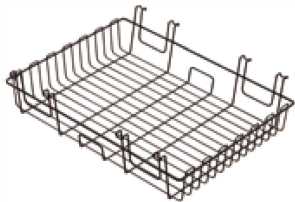
AW5111DB Low Baskets



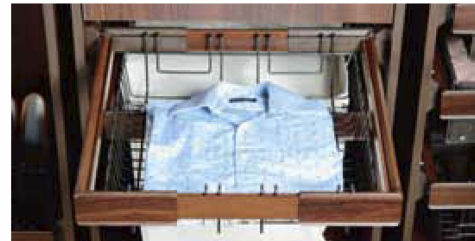
Item No	Dimensions (WxDxH)
AW5111DB-55	437 x 441 x 87 mm
AW5111DB-70	587 x 441 x 87 mm
AW5111DB-85	737 x 441 x 87 mm



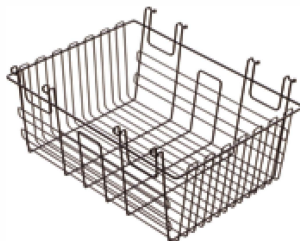
AW5114DB Medium Baskets



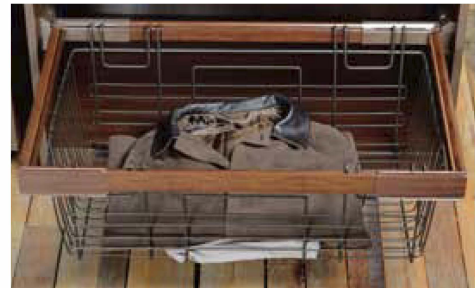
Item No	Dimensions (WxDxH)
AW5114DB-55	437 x 441 x 140 mm
AW5114DB-70	587 x 441 x 140 mm
AW5114DB-85	737 x 441 x 140 mm



AW5117DB Deep Baskets



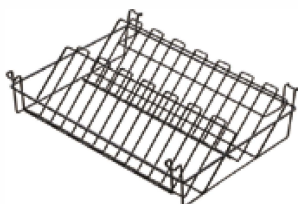
Item No	Dimensions (WxDxH)
AW5117DB-55	437 x 441 x 275 mm
AW5117DB-70	587 x 441 x 275 mm
AW5117DB-85	737 x 441 x 275 mm



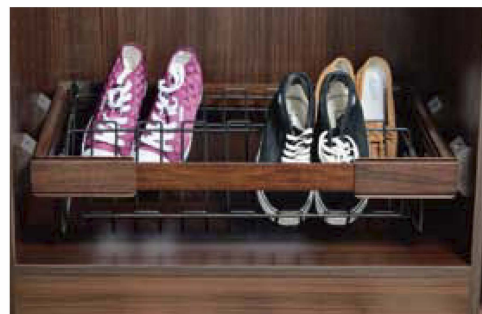
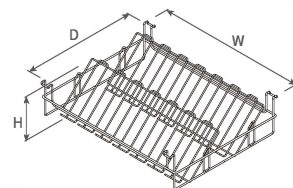
AW5140DB

Frontal Wire Shoes Racks 置鞋架

* Dark bronze coated steel wire 深褐色



Item No	Dimensions (WxDxH)
AW5140DB-55	445 x 441 x 156 mm
AW5140DB-70	595 x 441 x 156 mm
AW5140DB-85	745 x 441 x 156 mm



Album Pull-out Drawer & Accessories | 拉抽及各式配件組合

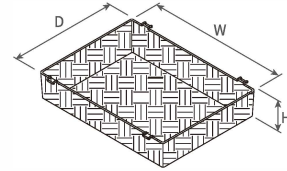
Album Rattan-Like Baskets 仿藤儲物收納籃

- * Material: cardboard lining with rattan-like paper mat
- * A green product, 100% recyclable

AW5123 Medium Baskets



Item No	Dimensions (WxDxH)
AW5123-55	460 x 441 x 150 mm
AW5123-70	610 x 441 x 150 mm
AW5123-85	760 x 441 x 150 mm



AW5125 Deep Baskets



Item No	Dimensions (WxDxH)
AW5125-55	460 x 441 x 300 mm
AW5125-70	610 x 441 x 300 mm
AW5125-85	760 x 441 x 300 mm



AW5121 Basket Covers



Item No	Dimensions (WxD)
AW5121-55	460 x 441 mm
AW5121-70	610 x 441 mm
AW5121-85	760 x 441 mm

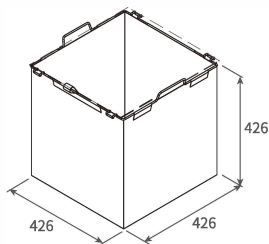


AW5123-55

AW5151-55

Laundry Hamper 洗衣籃

- * Steel frame with hooks
- * Dimensions: (W) 426 x (D) 426 x (H) 426mm

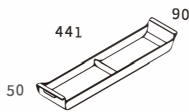


Album wardrobe organizers | Pull-out Drawer & Accessories | 拉抽及各式配件組合

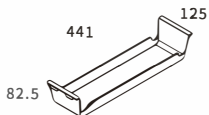
Album Plastic Trays & Socks Rack 塑膠收納盒

* Material: durable resin, translucent glass effect

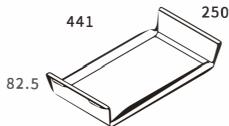
AW5130



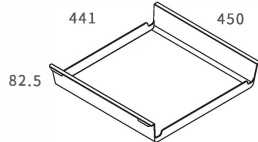
AW5131



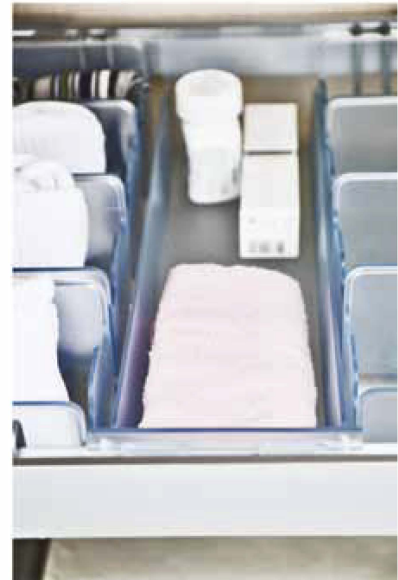
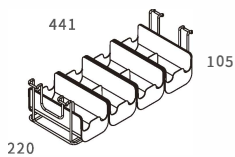
AW5132



AW5133



AW5134 Socks Rack



Album wardrobe organizers | Pull-out Drawer & Accessories | 拉抽及各式配件組合

AW51 Clothes Hangers 吊衣拉桿
AW1166
Valet Rod 側邊吊衣拉桿

* Side mounted

* Matt silver frame / black 銀灰/黑色



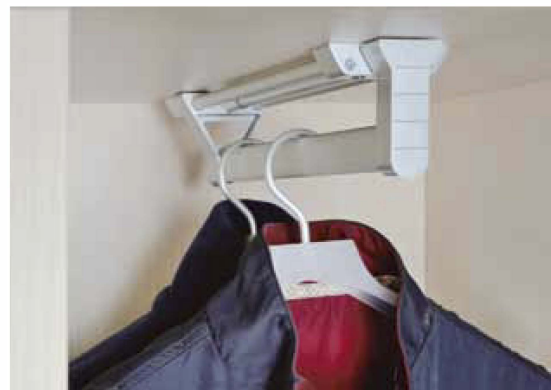
Item No	Overall length	Extension length	Cabinet depth
AW1166-12	310 mm	190 mm	12"
AW1166-14	360 mm	240 mm	14"

AW5191
Extractable Clothes Holder 吊衣拉桿

* Top mounted

* Overall length: 455mm

* Matt silver 銀灰色



Album wardrobe organizers | Pull-out Drawer & Accessories | 拉抽及各式配件組合

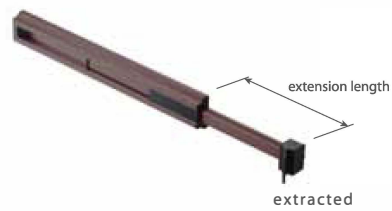
AW51 Clothes Hangers 吊衣拉桿

AW1166DB

Valet Rod 側邊吊衣拉桿

* Side mounted

* Dark bronzed / black 深褐 / 黑色



Item No	Overall length	Extension length	Cabinet depth
AW1166DB-12	310 mm	190 mm	12"
AW1166DB-14	360 mm	240 mm	14"

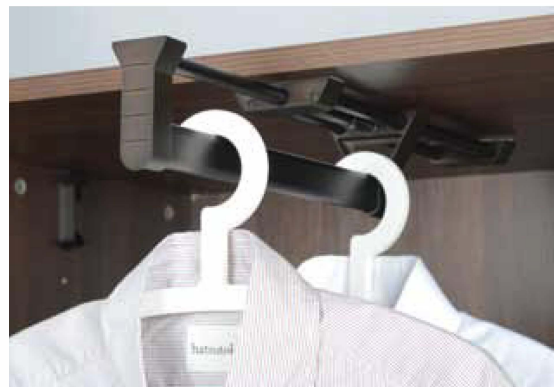
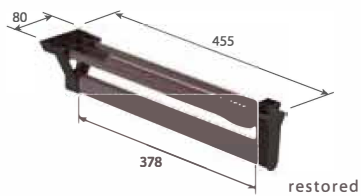
AW5191DB

Extractable Clothes Holder 吊衣拉桿

* Top mounted

* Overall length: 455mm

* Dark bronzed / black 深褐 / 黑色



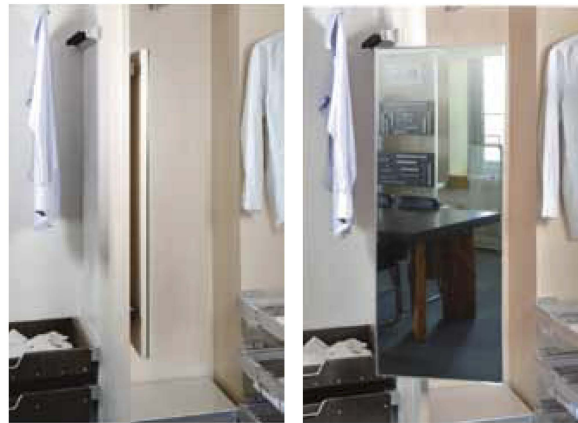
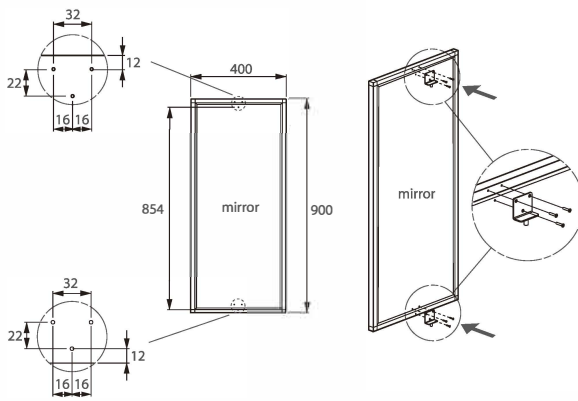
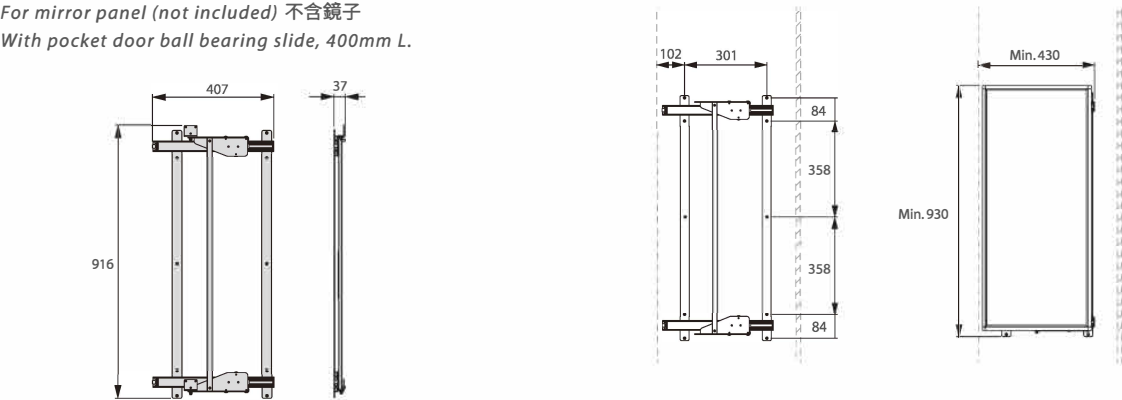
Album wardrobe organizers | 拉抽及各式配件組合

AW5179-IM

Lateral Pull-Out & Swivel Mechanism 側拉式可旋轉鏡架

* For mirror panel (not included) 不含鏡子

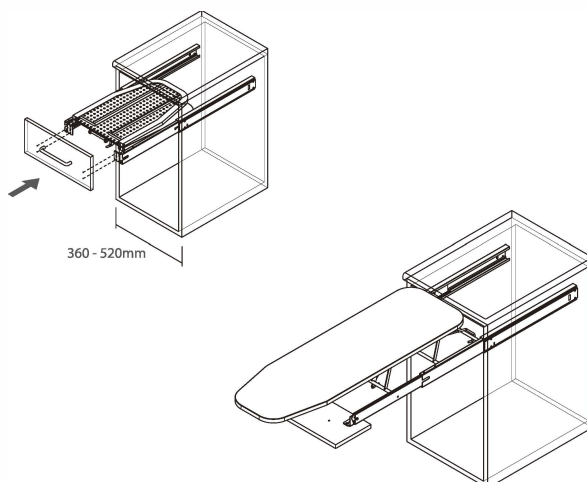
* With pocket door ball bearing slide, 400mm L.



AW2121E

Built-In Folding Ironing Board 折疊式燙衣板

* For width 360 ~ 520mm cabinet

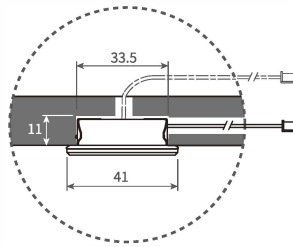
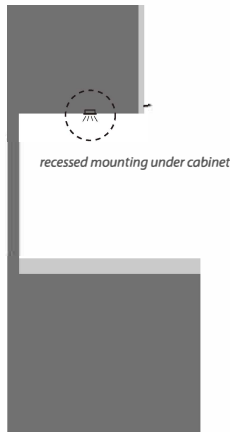


Album wardrobe organizers | Pull-out Drawer & Accessories | 拉抽及各式配件組合

PLD2711

Recessed Cabinet LED Linear Light

- *Application: under cabinet / shelf, for kitchen, bathroom, home and office
- *Aluminium housing in matt black (NK)
- *Recessed mounting
- *Power supply not included



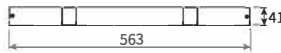
• Recessed mounting, routed dimensions: (L) x (W) 33.5 x (H) 11mm



Illustration

Model

PLD2711-60NK



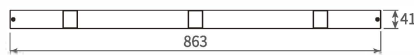
- PLD2711-60NK
- 563mm L. 5.5W / 2 x 3Vdc 700mA
 - Routed size: (L) 540x (W) 33.5 x (H) 11mm

PLD2711-60NK-CW cool white

PLD2711-60NK-WW warm white

PLD2711-60NK-NW neutral white

PLD2711-90NK



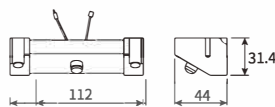
- PLD2711-90NK
- 863mm L. 8.1W / 3 x 3Vdc 700mA
 - Routed size: (L) 840x (W) 33.5 x (H) 11mm

PLD2711-90NK-CW cool white

PLD2711-90NK-WW warm white

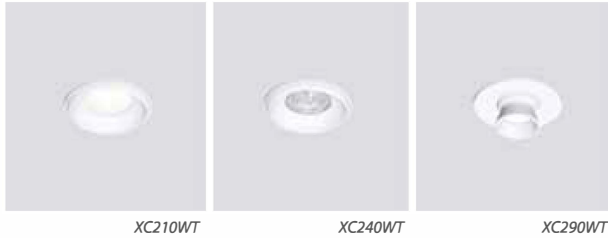
PLD2711-90NK-NW neutral white

CS700PIR-NK (motion detector)



- CS700PIR-NK DC Driver, PIR motion detector
- Corner surface mounting, (L) 112 x (W) 44 x (H) 31.4mm
 - 60 seconds auto-off, 3.5 ~ 4 meter detecting range
 - Input: 12 Vdc / 24 Vdc
 - Output: 0.7A constant current
 - Maximum consumption 18 Vdc 0.7A

Album wardrobe organizers | 拉抽及各式配件組合



XC210WT

XC240WT

XC290WT

8.5W LED Down Light Spotlight

XC210, XC240 & XC290

*Power consumption: 9 Vdc 0.7A constant current

*Ideal illumination height: 2 ~ 2.5 meters

*White lighting fixture, solid aluminium

*Drillhole: $\varnothing 70\text{mm}$ ($\varnothing 2\text{-}3/4\text{'}$), recessed mounting

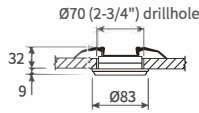
*Complete with LED driver 100 ~ 240 Vac 50 / 60 Hz

2 ~ 2.5M



Illustration

XC210WT



Model

XC210 8.5W LED Down Light

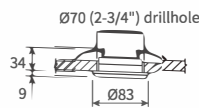
• Diffused

XC210WT-WW warm white

XC210WT-NW neutral white

XC210WT-CW cool white

XC240WT



XC240 8.5W LED Spotlight

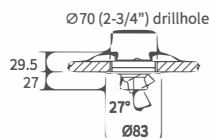
• 40° spot, non-swivel

XC240WT-WW warm white

XC240WT-NW neutral white

XC240WT-CW cool white

XC290WT



XC290 8.5W LED Swivel Spotlight

• 24° spot, 27° tilt & 360° swivel

XC290WT-WW warm white

XC290WT-NW neutral white

XC290WT-CW cool white

Алматы (7273)495-231
Ангарск (3955)60-70-56
Архангельск (8182)63-90-72
Астрахань (8512)99-46-04
Барнаул (3852)73-04-60
Белгород (4722)40-23-64
Благовещенск (4162)22-76-07
Брянск (4832)59-03-52
Владивосток (423)249-28-31
Владикавказ (8672)28-90-48
Владимир (4922)49-43-18
Волгоград (844)278-03-48
Вологда (8172)26-41-59
Воронеж (473)204-51-73
Екатеринбург (343)384-55-89

Иваново (4932)77-34-06
Ижевск (3412)26-03-58
Иркутск (395)279-98-46
Казань (843)206-01-48
Калининград (4012)72-03-81
Калуга (4842)92-23-67
Кемерово (3842)65-04-62
Киров (8332)68-02-04
Коломна (4966)23-41-49
Кострома (4942)77-07-48
Краснодар (861)203-40-90
Красноярск (391)204-63-61
Курск (4712)77-13-04
Курган (3522)50-90-47
Липецк (4742)52-20-81

Магнитогорск (3519)55-03-13
Москва (495)268-04-70
Мурманск (8152)59-64-93
Набережные Челны (8552)20-53-41
Нижний Новгород (831)429-08-12
Новокузнецк (3843)20-46-81
Ноябрьск (3496)41-32-12
Новосибирск (383)227-86-73
Омск (3812)21-46-40
Орел (4862)44-53-42
Оренбург (3532)37-68-04
Пенза (8412)22-31-16
Петрозаводск (8142)55-98-37
Псков (8112)59-10-37

Пермь (342)205-81-47
Ростов-на-Дону (863)308-18-15
Рязань (4912)46-61-64
Самара (846)206-03-16
Саранск (8342)22-96-24
Санкт-Петербург (812)309-46-40
Саратов (845)249-38-78
Севастополь (8692)22-31-93
Симферополь (3652)67-13-56
Смоленск (4812)29-41-54
Сочи (862)225-72-31
Ставрополь (8652)20-65-13
Сургут (3462)77-98-35
Сыктывкар (8212)25-95-17
Тамбов (4752)50-40-97

Тверь (4822)63-31-35
Тольятти (8482)63-91-07
Томск (3822)98-41-53
Тула (4872)33-79-87
Тюмень (3452)66-21-18
Ульяновск (8422)24-23-59
Улан-Удэ (3012)59-97-51
Уфа (347)229-48-12
Хабаровск (4212)92-98-04
Чебоксары (8352)28-53-07
Челябинск (351)202-03-61
Череповец (8202)49-02-64
Чита (3022)38-34-83
Якутск (4112)23-90-97
Ярославль (4852)69-52-93

Россия +7(495)268-04-70

Казахстан +7(7172)727-132

Киргизия +996(312)96-26-47

www.fourwinds.nt-rt.ru | | fse@nt-rt.ru