

Алматы (7273)495-231	Иваново (4932)77-34-06	Магнитогорск (3519)55-03-13	Пермь (342)205-81-47	Тверь (4822)63-31-35
Ангарск (3955)60-70-56	Ижевск (3412)26-03-58	Москва (495)268-04-70	Ростов-на-Дону (863)308-18-15	Тольятти (8482)63-91-07
Архангельск (8182)63-90-72	Иркутск (395)279-98-46	Мурманск (8152)59-64-93	Рязань (4912)46-61-64	Томск (3822)98-41-53
Астрахань (8512)99-46-04	Казань (843)206-01-48	Набережные Челны (8552)20-53-41	Самара (846)206-03-16	Тула (4872)33-79-87
Барнаул (3852)73-04-60	Калининград (4012)72-03-81	Нижний Новгород (831)429-08-12	Саранск (8342)22-96-24	Тюмень (3452)66-21-18
Белгород (4722)40-23-64	Калуга (4842)92-23-67	Новокузнецк (3843)20-46-81	Санкт-Петербург (812)309-46-40	Ульяновск (8422)24-23-59
Благовещенск (4162)22-76-07	Кемерово (3842)65-04-62	Ноябрьск (3496)41-32-12	Саратов (845)249-38-78	Улан-Удэ (3012)59-97-51
Брянск (4832)59-03-52	Киров (8332)68-02-04	Новосибирск (383)227-86-73	Севастополь (8692)22-31-93	Уфа (347)229-48-12
Владивосток (423)249-28-31	Коломна (4966)23-41-49	Омск (3812)21-46-40	Симферополь (3652)67-13-56	Хабаровск (4212)92-98-04
Владикавказ (8672)28-90-48	Кострома (4942)77-07-48	Орел (4862)44-53-42	Смоленск (4812)29-41-54	Чебоксары (8352)28-53-07
Владимир (4922)49-43-18	Краснодар (861)203-40-90	Оренбург (3532)37-68-04	Сочи (862)225-72-31	Челябинск (351)202-03-61
Волгоград (844)278-03-48	Красноярск (391)204-63-61	Пенза (8412)22-31-16	Ставрополь (8652)20-65-13	Череповец (8202)49-02-64
Вологда (8172)26-41-59	Курск (4712)77-13-04	Петрозаводск (8142)55-98-37	Сургут (3462)77-98-35	Чита (3022)38-34-83
Воронеж (473)204-51-73	Курган (3522)50-90-47	Псков (8112)59-10-37	Сыктывкар (8212)25-95-17	Якутск (4112)23-90-97
Екатеринбург (343)384-55-89	Липецк (4742)52-20-81		Тамбов (4752)50-40-97	Ярославль (4852)69-52-93

Россия +7(495)268-04-70

Казахстан +7(7172)727-132

Киргизия +996(312)96-26-47

www.fourwinds.nt-rt.ru | fse@nt-rt.ru

Технические характеристики на гардеробную фурнитуру компании **Four Winds**

Виды товаров: стальные круглые стержни для шкафа, стальные овальные стержни, стержневые опоры, подвесные опоры, рельсовые опоры, раздвижные направляющие, гардеробные подъемники, держатели выдвижного шкафа, держатели для одежды, квадратные крючки для одежды, вешалки и полки для обуви, встроенные гладильные доски, боковые выдвижные механизмы, органайзеры для шкафов/гардеробов, сборные шкафы, сборные гардеробные, держатели для одежды, аксессуары для хранения, боковые стойки и вешалки для одежды, выдвижные полки, вешалки для брюк, выдвижные полки, рейлы, центральные рельсовые опоры, боковые выдвижные и поворотные механизмы, наборы для крепления деревянной полки/ящика, подсветка, освещение с датчиками движения, адаптеры, ящики, корзины для белья, органайзеры из кедрового дерева, органайзеры для украшений, пластиковые лотки и подставки для носков для альбомов и др.

AW51 Wardrobe Cabinet Assembly 系統衣櫥組套件

* For wardrobe cabinet 56 ~ 60cm depth

page 5 ~ 17



APS51 Pole Closet Assembly 鋁柱更衣室組套件

* For pole closet depth approx. 53cm

page 19 ~ 28



5100 Pull-out Drawer & Storage Units 5100 鋁框拉抽及收納配件

page 29 ~ 38



AW14 Walk-in Closet Assembly 開放式衣櫥組合件

* For cabinet 40 ~ 45cm depth

page 39 ~ 44



Album Cloth Hanger & Storage Product 吊衣鉤及收納品

page 45 ~ 48



AW51

Wardrobe Cabinet Assembly

系統衣櫥組合作件

Wardrobe depth: 560 ~ 600mm
櫥櫃深度: 560 ~ 600mm

AW51



- Effectively use wardrobe interior for optimal storage

- 極致運用衣櫥內部的每一寸空間

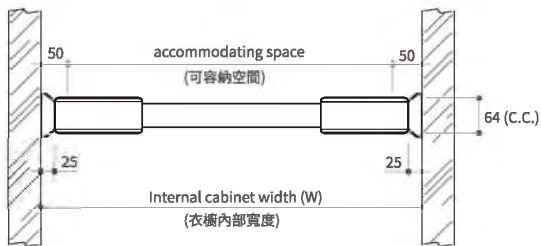
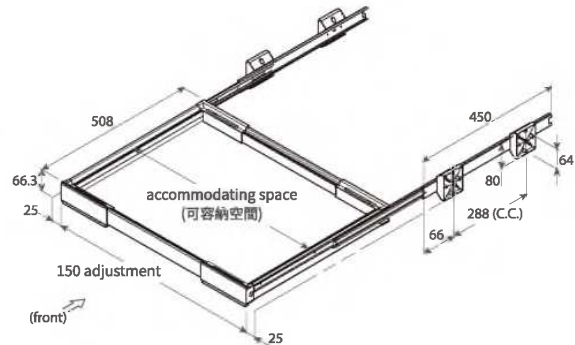


AW51 Wardrobe Cabinet Assembly

AW5100

Cabinet Pull-out Drawer Frame 衣櫥鋁框拉抽

- * Aluminium frame with soft-closing 450mm L. full extension ball bearing slides
- * For 560 ~ 600mm wardrobe cabinet depth
- * Quick cabinet installation, with 150mm width adjustment



AW5100 Cabinet Pull-out Drawer Frame

- * Finish: Matt silver 銀灰色



Item No	Internal Cabinet Width (W)
AW5100-55	555 ~ 705mm
AW5100-70	705 ~ 855mm
AW5100-85	855 ~ 1,000mm

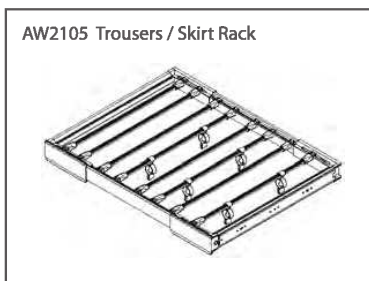
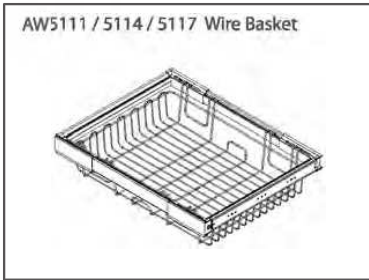
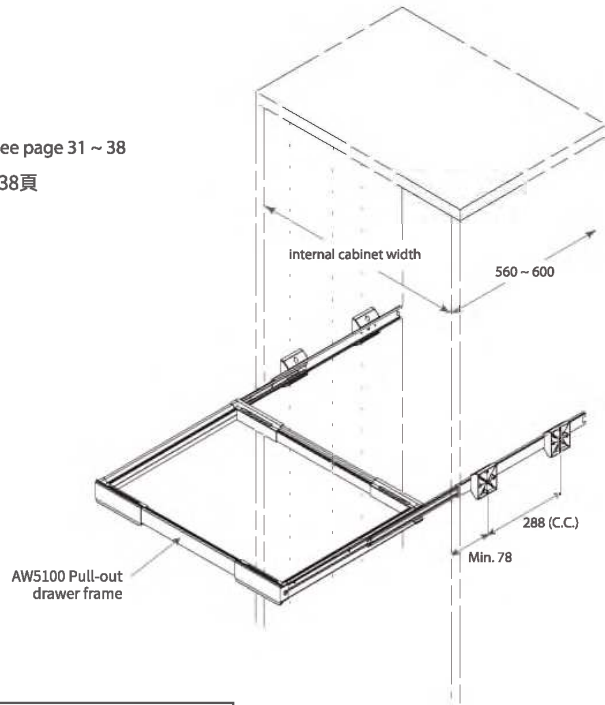
AW5100DB Cabinet Pull-out Drawer Frame

- * Finish: Dark bronzed 深褐色



Item No	Internal Cabinet Width (W)
AW5100DB-55	555 ~ 705mm
AW5100DB-70	705 ~ 855mm
AW5100DB-85	855 ~ 1,000mm

* Choose various storage units for AW5100 pull-out drawer frame, see page 31 ~ 38
可選擇以下各式的儲放配件於 AW5100 鋁框拉抽內, 見第 31 ~ 38 頁



AW51 Lateral Racks & Clothes Hangers

AW51 Lateral Racks 側拉收納架

- * With soft-closing 450mm L. full extension ball bearing slide
- * Overall length: 508mm
- * Matt silver frame / black hook 銀灰/黑色

AW5181 Lateral Tie Rack 側拉領帶架

- * 27 tie hooks



AW5182 Lateral Tie Rack and Tray 側拉領帶與托盤架

- * 17 tie hooks & 1 tray



AW5183 Lateral Belt Rack 側拉皮帶架

- * 9 belt hooks



AW5185 Lateral Scarf Rack 側拉絲巾架

- * 9 scarf loops



AW51 Lateral Racks 側拉收納架

- * With soft-closing 450mm L. full extension ball bearing slide
- * Overall length: 508mm
- * Dark bronzed frame / black hook 深褐/黑色

AW5181DB Lateral Tie Rack 側拉領帶架

- * 27 tie hooks



AW5182DB Lateral Tie Rack and Tray 側拉領帶與托盤架

- * 17 tie hooks & 1 tray



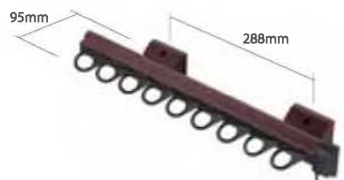
AW5183DB Lateral Belt Rack 側拉皮帶架

- * 9 belt hooks



AW5185DB Lateral Scarf Rack 側拉絲巾架

- * 9 scarf loops

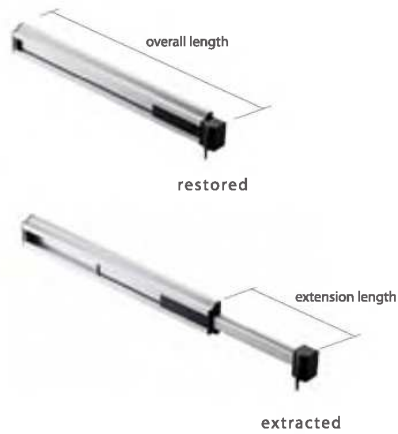


AW51 Clothes Hangers 吊衣拉桿

AW1166 Valet Rod 側邊吊衣拉桿

* Side mounted

* Matt silver frame / black 銀灰/黑色



Item No	Overall length	Extension length	Cabinet depth
AW1166-12	310 mm	190 mm	12"
AW1166-14	360 mm	240 mm	14"

AW5191 Extractable Clothes Holder 吊衣拉桿

* Top mounted

* Overall length: 455mm

* Matt silver 銀灰色



AW51 Clothes Hangers 吊衣拉桿

AW1166DB Valet Rod 側邊吊衣拉桿

* Side mounted

* Dark bronzed / black 深褐 / 黑色



Item No	Overall length	Extension length	Cabinet depth
AW1166DB-12	310 mm	190 mm	12"
AW1166DB-14	360 mm	240 mm	14"

AW5191DB Extractable Clothes Holder 吊衣拉桿

* Top mounted

* Overall length: 455mm

* Dark bronzed / black 深褐 / 黑色

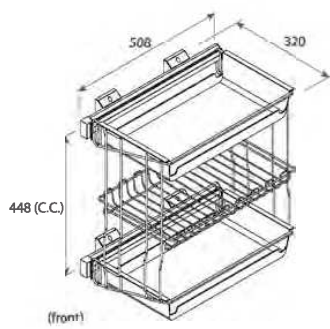


AW51 Lateral Pull-Out Shelving 側拉收納架

- * With double soft-closing 450mm L. full extension ball bearing slides
- * Overall length: 508mm
- * Finish: matt silver 銀灰色

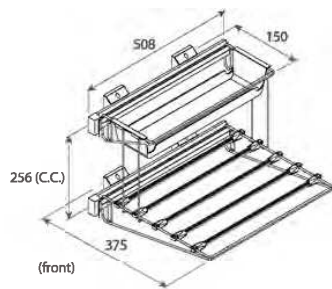
AW5176 Lateral Pull-Out Triple Shelving 側拉三層置物架

- * 2 plastic trays and 1 wire rack



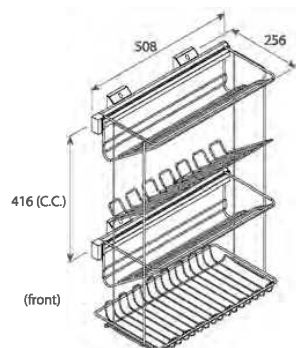
AW5177 Lateral Pull-Out Trousers Rack / Shelving 側拉吊褲架

- * 1 plastic trays and 5 AW2105 trousers sticks



AW5178 Lateral Pull-Out Shoes Rack / Shelving 側拉三層置鞋架

- * 3 shoes racks and 1 wire rack

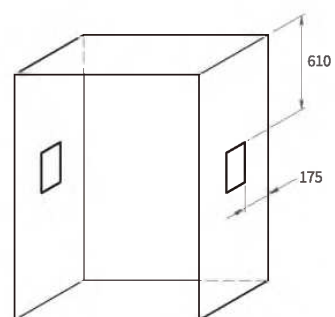
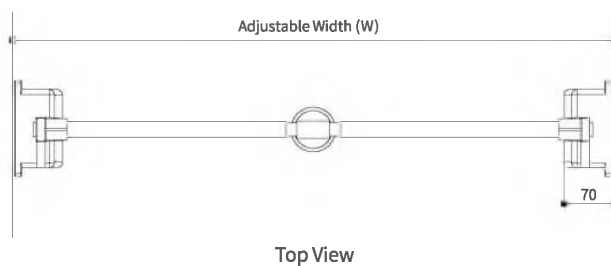
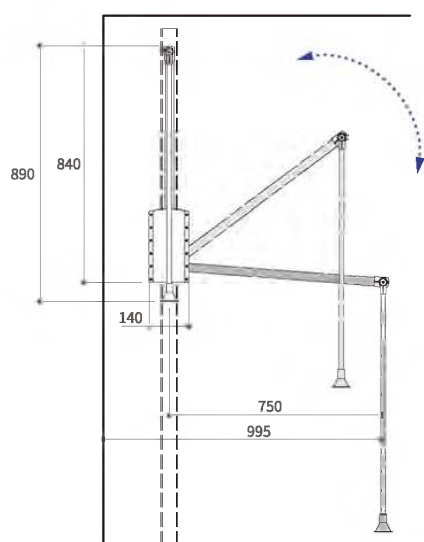


Clothes Hanging Rod & Wardrobe Accessories 吊衣桿及配件

AW1111 Wardrobe Lift / Pull-Down Closet Rod 上下升降式吊衣桿

* Side mounting, three adjustable widths

* Aluminium closet rod / silver plastic housing 銀灰色



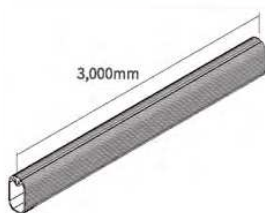
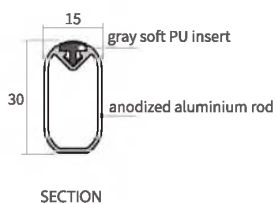
Item No	Adjustable Width (W)	Loading Weight
AW1111SV-11A	560 ~ 650 mm	8 kgs
AW1111SV-22A	660 ~ 750 mm	10 kgs
AW1111SV-33A	885 ~ 975 mm	12 kgs

AW1101 Album Wardrobe Rail & Support 吊衣桿

* Silver coating 銀灰色

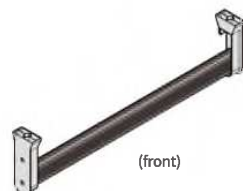
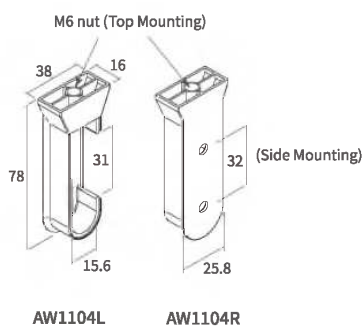
AW1101 Album Wardrobe Rail

* Extruded and anodized aluminium tube, topped with PU rubber-like insert to hold clothes hangers steadily and silently



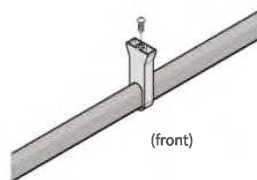
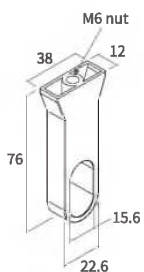
AW1104 Album Rail Support

* Side mounting with 32mm hole C.C. or top mounting with M6 nut and 40mm L. bolt
 * Each set includes one right hand and one left hand support



AW1105 Album Center Rail Support

* Top mounting only, with M6 nut and 40mm L. bolt
 * To be used with AW1104 rail support

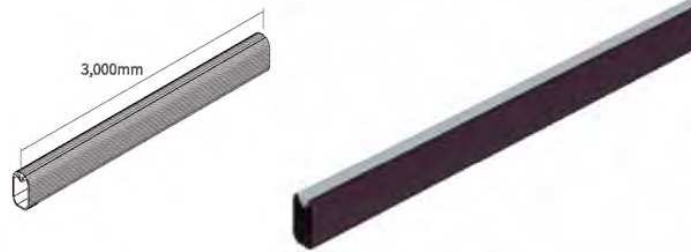
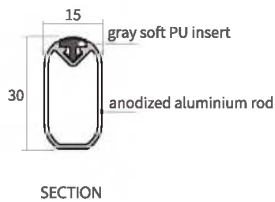


AW1101DB Album Wardrobe Rail & Support 吊衣桿

* Dark bronzed 深褐色

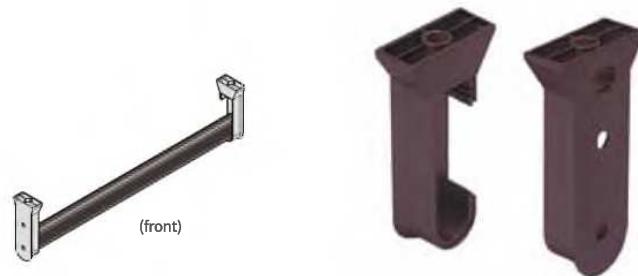
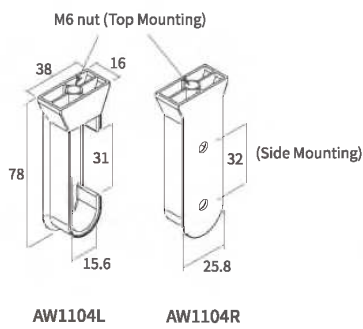
AW1101DB Album Wardrobe Rail

* Extruded and anodized aluminium tube, topped with PU rubber-like insert to hold clothes hangers steadily and silently



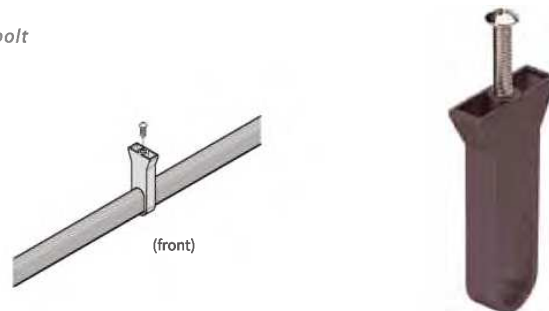
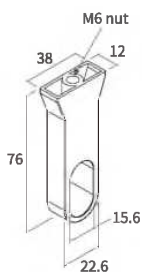
AW1104DB Album Rail Support

* Side mounting with 32mm hole C.C. or top mounting with M6 nut and 40mm L. bolt
 * Each set includes one right hand and one left hand support



AW1105DB Album Center Rail Support

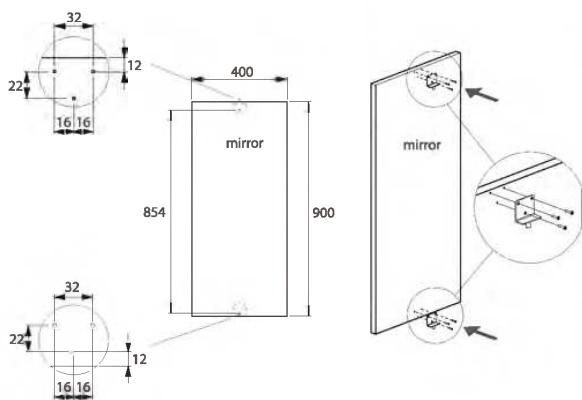
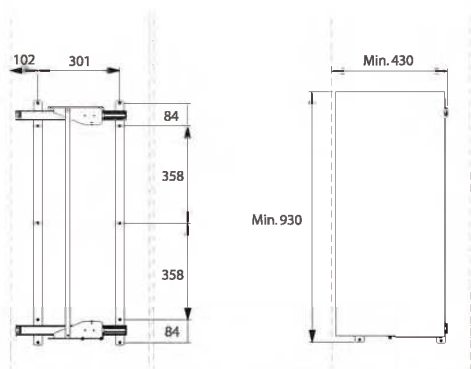
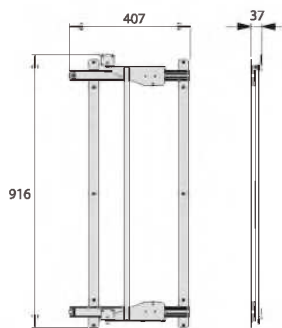
* Top mounting only, with M6 nut and 40mm L. bolt
 * To be used with AW1104 rail support



AW5179-IM Lateral Pull-Out & Swivel Mechanism 側拉式可旋轉鏡架

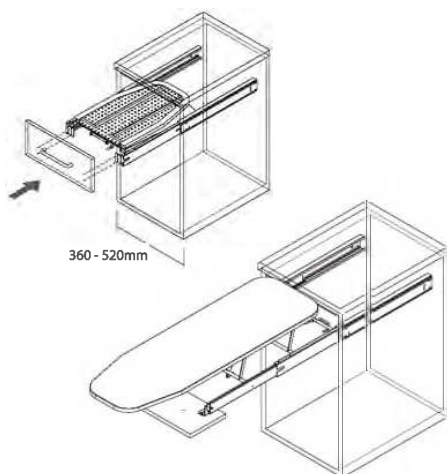
* For mirror panel (not included) 不含鏡子

* With pocket door ball bearing slide, 400mm L.



AW2121E Built-In Folding Ironing Board 折疊式燙衣板

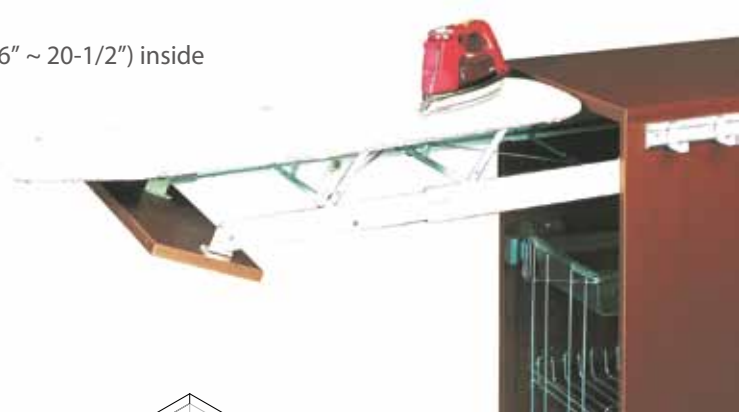
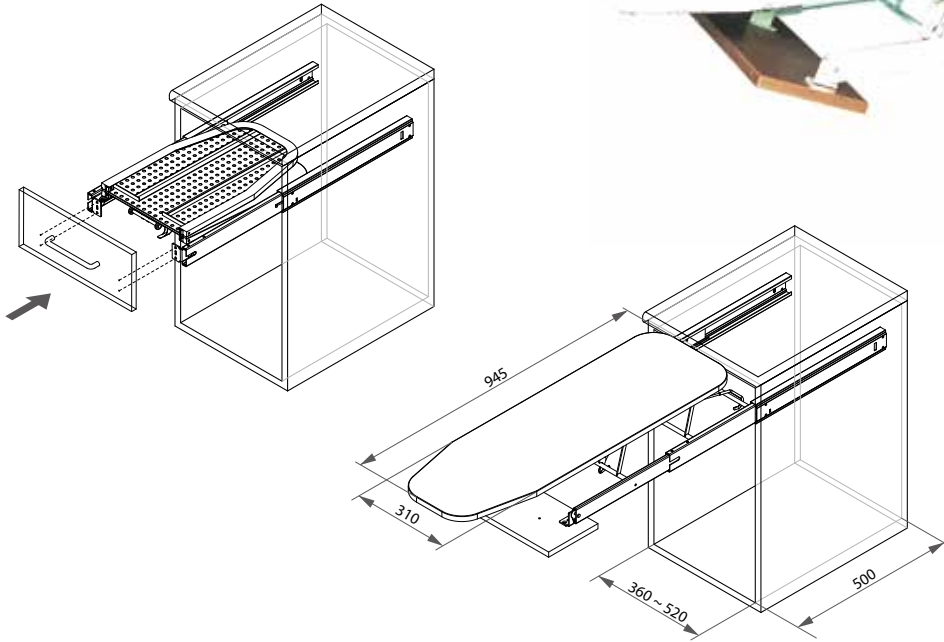
* For width 360 ~ 520mm cabinet



15-4 Wardrobe Accessories

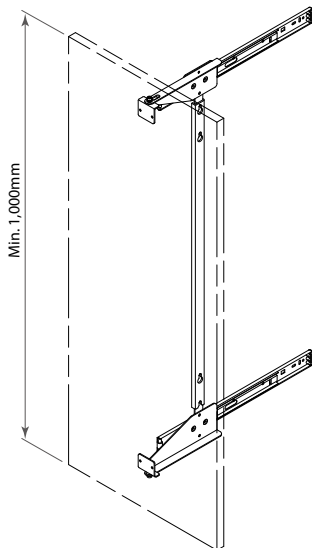
AW2121 Built-In Folding Ironing Board

- * Including mounting hardware, folding ironing board, runner and heat-resistant fabric cover
- * Cabinet drawer installation
- * Width adjustable to fit cabinet of 360 ~ 520mm (14-3/16" ~ 20-1/2") inside
- * Cabinet inner depth 500mm (19-11/16")
- * With fold-down drawer front supporter



AW5179 Lateral Pull-Out & Swivel Mechanism

- * For mirror panel (not included)
- * With pocket door ball bearing slides 400mm long



* Back mounting - for mirror panel between 1,000 ~ 1,700mm

Under Shelf LED Linear Light 頂板下方衣櫥 LED 燈

- * Installed inside the wardrobe cabinets, with PIR motion detector covering distance 4 meters, 60 seconds auto-off
走動式感應開關, 4 公尺高度以內, 60 秒後自動關閉(無人靜態下)
- * Screw mounting under top shelf



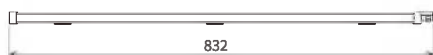
XP2703PIR-54NA

- * 2 LEDs, 6 Vdc/0.7A, 6 watts
- * L=542mm, matt silver (NA)
- * Not including switching AC/DC adapter



XP2703PIR-83NA

- * 3 LEDs, 9 Vdc/0.7A, 9 watts
- * L=832mm, matt silver (NA)
- * Not including switching AC/DC adapter



Switch AC/DC Adapter

- * Wide range input: 90 ~ 264Vdc, 47 ~ 63Hz overload
- * With worldwide safety certificates

WM12W

- * Wall mounted with various type of plug
- * Input: 90 ~ 264 Vac 47/63Hz
- * Output: 12 Vdc/1A, 12 watts, for 1 pc XP2703PIR



DT24W

- * Desk-top, 2 meters cable with various type of plug
- * Input: 90 ~ 264 Vac 47/63Hz
- * Output: 24 Vdc/1A, 24 watts, for 4 pcs XP2703PIR-54 or 2 pcs XP2703PIR-83



DD24304 4 Ports DC/DC Current Divider

- * Links 2 ~ 4 pcs DC current lighting



E1AJ100 Extension E1AJ Wire

- * 1 meter (1,000mm) long
- * Links DC/DC current driver and AC/DC adapter



APS51

Pole Closet Assembly

鋁柱更衣室組合件

Pole closet depth approx. 530mm
鋁柱衣櫥深度約 530mm

APS51



- APS51 Pole Closet System ideally builds elegant and organized walk-in closets or wide open wardrobes
- Comprehensive wardrobe fittings and functional storage accessories sufficiently use all the storage space and present the most convenience to users

- APS51 鋁柱系統結構適合安裝於穩固的牆面 (鎖牆式) 或天花板及地板間 (頂天立地式)
- 功能齊全的各式收納五金配件充分運用更衣室空間, 使用起來無比便利



APS51 Pole Closet System

APS51 Album Pole 長鋁柱

- * Aluminium pole natural silver anodized (NA) or dark bronzed (DB)
- 鋁柱, 銀灰色及深褐色二種

APS240BM

Wall-Mounted Aluminium Pole 鎖牆式鋁柱

- * Dimension: (H) 2400 x (D) 300 mm
- * With wall-mount fixing bracket and adjustable floor glide



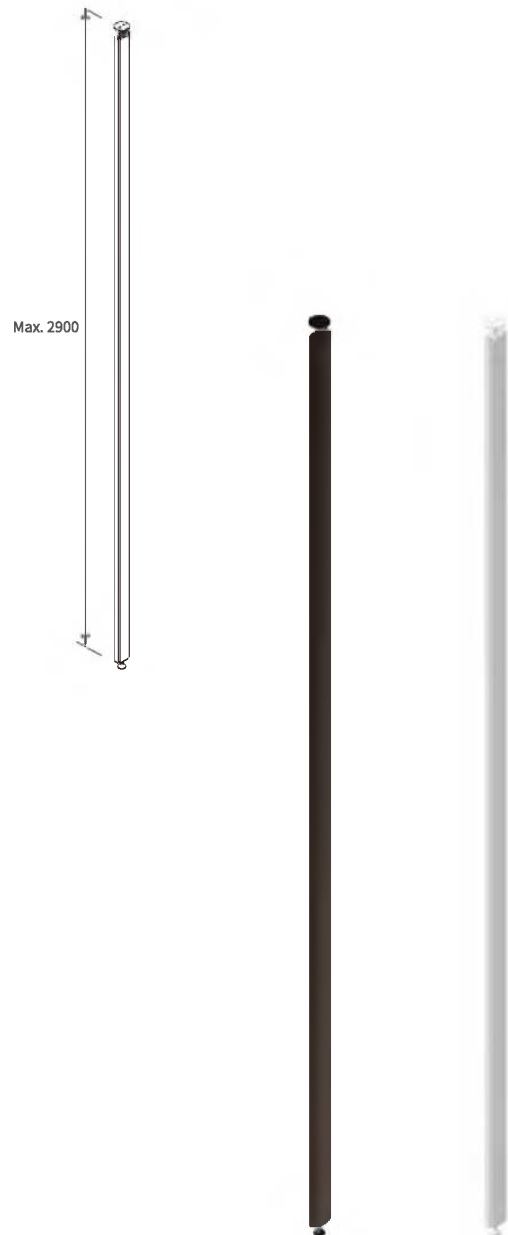
APS240BM-DB
(深褐色)

APS240BM
(銀灰色)

APS290TB

Top & Bottom Fixing Aluminium Pole 頂天立地式鋁柱

- * Height: 2900 mm, ready to cut
- 最長 290公分, 可依實際高度鋸切
- * With top and bottom fixing bracket (height adjustable)

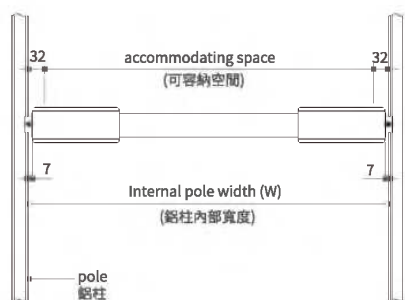
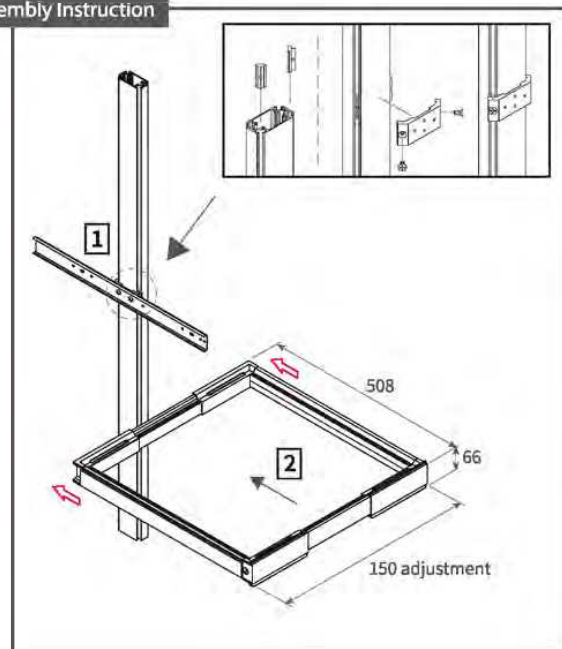


APS290TB-DB
(深褐色)

APS290TB
(銀灰色)

APS5100**On-Pole Pull-out Drawer Frame 鋁柱型鋁框拉抽**

- * Aluminium frame with soft-closing 450mm L. full extension ball bearing slides
- * With fittings to mount the drawer frame on APS51 aluminium pole
- * Easy installation with 150mm width adjustment

**Assembly Instruction****APS5100 On-Pole Pull-out Drawer Frame**

- * Finish: Matt silver 銀灰色



Item No	Internal Pole Width (W)
APS5100-55	520 ~ 670mm
APS5100-70	670 ~ 820mm
APS5100-85	820 ~ 970mm

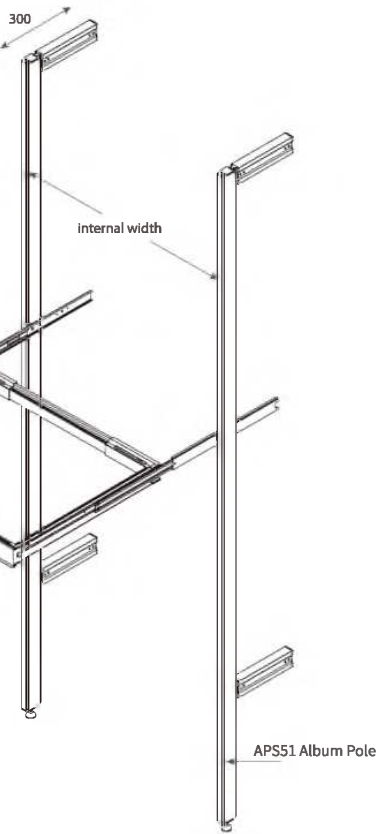
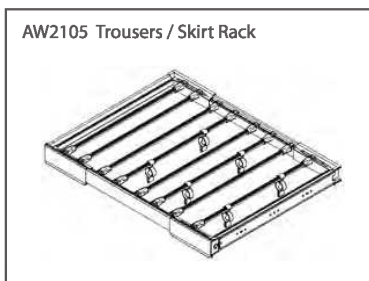
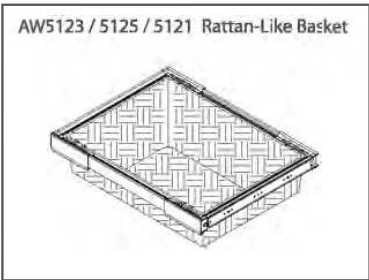
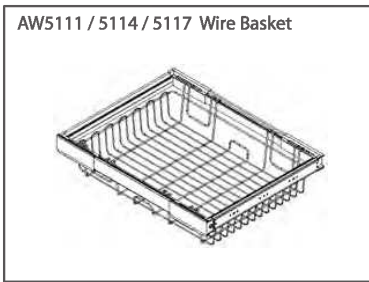
APS5100DB On-Pole Pull-out Drawer Frame

- * Finish: Dark bronzed 深褐色



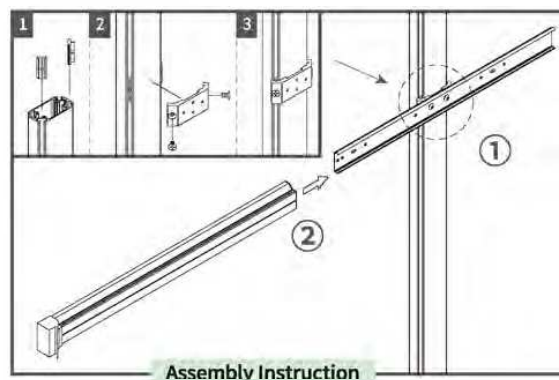
Item No	Internal Pole Width (W)
APS5100DB-55	520 ~ 670mm
APS5100DB-70	670 ~ 820mm
APS5100DB-85	820 ~ 970mm

* Choose various storage units for APS5100 pull-out drawer frame, see page 31 ~ 38
 可選擇以下各式的儲放配件於 APS5100 鋁框拉抽內, 見第 31 ~ 38頁



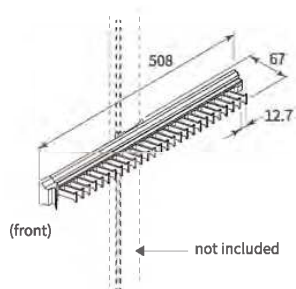
APSS1 Pole System Lateral Racks 側拉收納架

* With soft-closing 450mm L. full extension ball bearing slide and pole fixing set



APSS181 Pole System Lateral Tie Rack 側拉領帶架

* 27 tie hooks



APSS181

* Matt silver / black 銀灰/黑



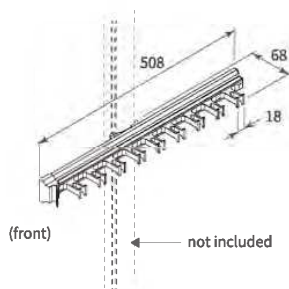
APSS181DB

* Dark bronzed / black 深褐/黑



APSS183 Pole System Lateral Belt Rack 側拉皮帶架

* 9 belt hooks



APSS183

* Matt silver / black 銀灰/黑



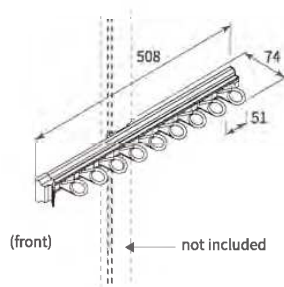
APSS183DB

* Dark bronzed / black 深褐/黑



APSS185 Pole System Lateral Scarf Rack 側拉絲巾架

* 9 scarf loops



APSS185

* Matt silver / black 銀灰/黑



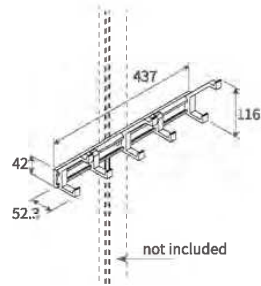
APSS185DB

* Dark bronzed / black 深褐/黑



APS1150-32 Album Pole Clothes Hooks 鋁製衣帽掛鈎

- * 437mm long, 3 double hooks and 2 single hooks
- * All aluminium 鋁製



APS1150-32
* Matt silver anodized 銀灰色

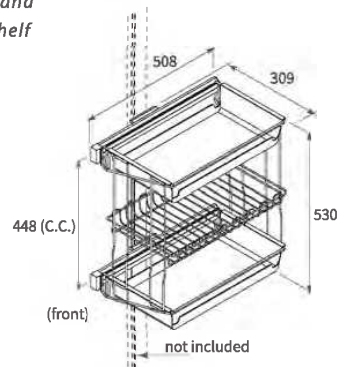


APS1150DB-32
* Dark bronzed 深褐色



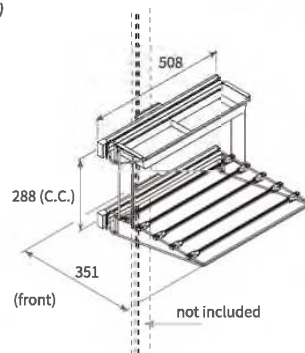
APS5176 Pole System Lateral Pull-out Triple Shelving 側拉三層置物架

- * Including 2 translucent plastic trays (top and bottom) and one silver coated wire shelf (middle)
- * 銀灰色 / 半透明塑膠盤
- * 可置放手提包 (hang bag) 及個人用品



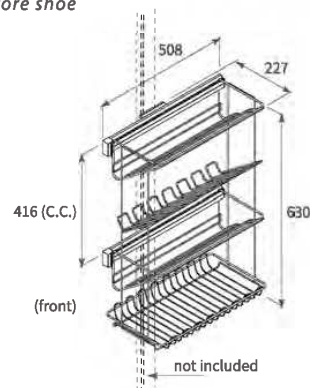
APS5177 Pole System Lateral Pull-out Trousers Rack / Shelving 側拉吊褲架

- * Including 1 translucent plastic trays (top) and 5 trousers sticks (bottom)
- * 銀灰色 / 半透明塑膠盤



APS5178 Pole System Lateral Pull-out Shoes Rack / Shelving 側拉三層置鞋架

- * Triple shoes racks plus one shelving to store shoe polishing items
- * 銀灰色
- * 可置放鞋子 (shoes) 及鞋類保養用品

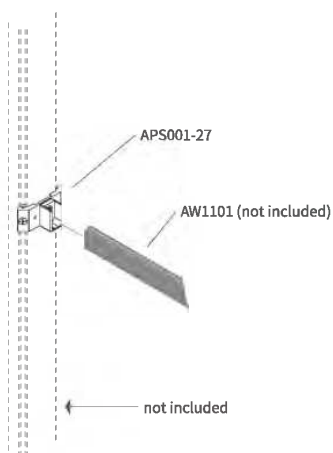


APS001-27 Wardrobe Rail Fixing Set 吊衣桿固定件

* Suitable for oval tube of AW1101 (not included)

* 2 pcs / set

* 不含吊衣桿, 2個/組



APS001-27

* Matt silver (NA) 銀灰色



APS001DB-27

* Dark bronzed (DB) 深褐色

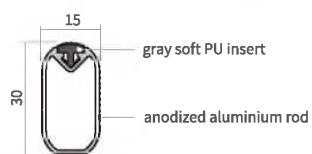


AW1101 Album Wardrobe Rail 鋁吊衣桿

* Aluminium rail with soft plastic insert

* 3,000mm L. ready to cut

* 鋁製, 3 公尺長, 可依實際尺寸裁切



SECTION

AW1101

* Matt silver (NA) 銀灰色



AW1101DB

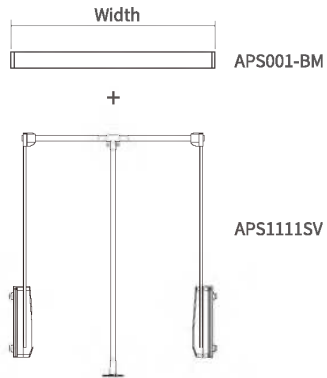
* Dark bronzed (DB) 深褐色



APS1111BM Wardrobe Lifter and Cross Beam 上下升降式吊衣桿

* APS001-BM + APS111SV

* Silver gray 銀灰色

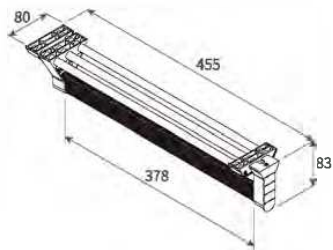


Item No	Cross Beam Width	Wardrobe Lifter
APS1111BM-60	60 cm	APS111SV-11
APS1111BM-75	75 cm	APS111SV-22
APS1111BM-90	90 cm	APS111SV-33

AW5191 Extractable Clothes Holder 吊衣拉桿

* Top mounted under shelf

* 安裝於層板下方



AW5191

* Matt silver (NA) 銀灰色



AW5191DB

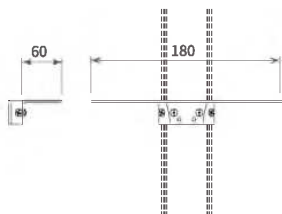
* Dark bronzed (DB) 深褐色



APS-WSS18 Wooden Shelf / Drawer Fixing Set
層板 / 抽屜櫃固定件

* Dimensions: (L) 180 x (W) 60mm

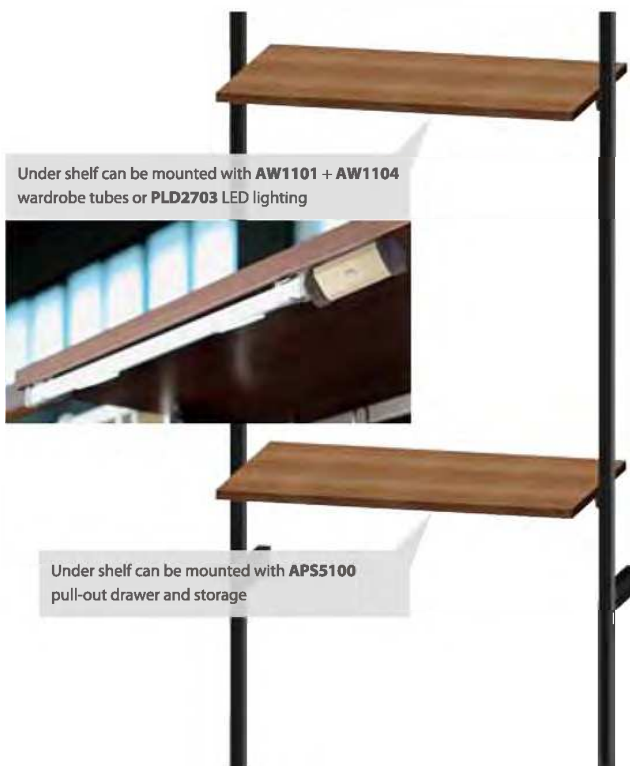
* 2 pcs / set



APS-WSS18 (matt silver 銀灰色)



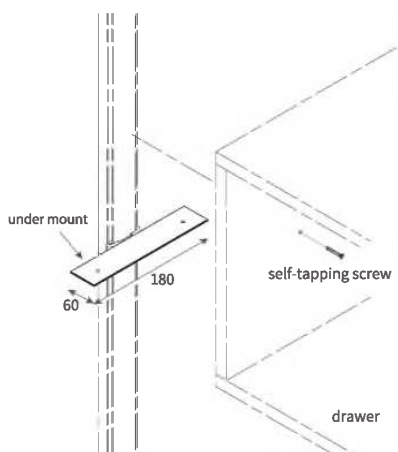
APS-WSS18DB (dark bronzed 深褐色)



Under shelf can be mounted with **AW1101 + AW1104** wardrobe tubes or **PLD2703** LED lighting



Under shelf can be mounted with **APS5100** pull-out drawer and storage



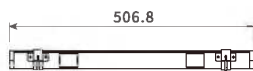
Under-shelf LED Linear Light 頂板下方衣櫥 LED 燈

- * PIR detecting distance 4 meters, 60 seconds auto-off
走動式感應開關, 4 公尺高度以內, 60 秒後自動關閉(無人靜態下)
- * Suitable for pole-system closet



PLD2703-53NA

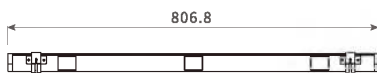
- * 2 LEDs, 6 Vdc / 0.7A 5.5 watts
- * L. 506.8mm, matt silver (NA)



with 2 nylon brackets

PLD2703-83NA

- * 3 LEDs, 9 Vdc / 0.7A 8.5 watts
- * L. 806.8mm, matt silver (NA)



with 2 nylon brackets

DS3 3-Pin Distributor

- * With 2 loop connectors



EW-100 Extension DC Wire

- * 1 meter (1,000mm) long



CS700PIR DC LED Driver, PIR motion detector

- * Corner surface mounting
- * 60 seconds auto-off, 3.5 ~ 4 meter detecting range
- * Input: 12 Vdc / 24 Vdc
- * Output: 0.7A constant current
- * Maximum consumption 18 Vdc 0.7A
- * Fit for 1 ~ 3pcs PLD2703-53 or 1 ~ 2pcs PLD2703-83



DT24W Switch AC/DC Adapter

- * Desk-top, 1.8 meters cable with various type of plug
- * Input: 100 ~ 240 Vac 50/60Hz
- * Output: 24 watts, 24 Vdc 1A

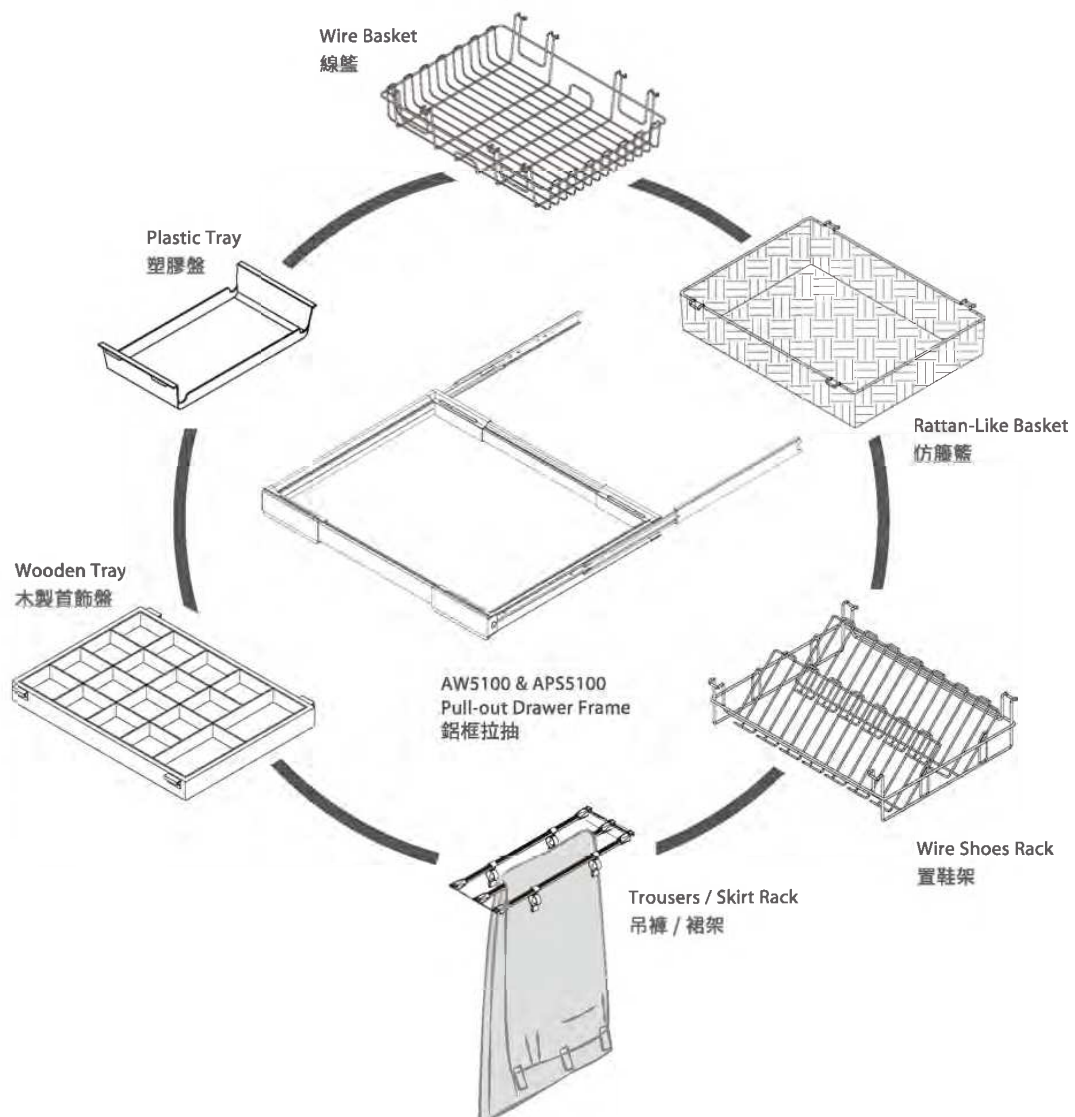


5100 Pull-out Drawer & Storage Units

5100 鋁框拉抽及收納配件

The Pull-out Drawer Frame (AW5100 & APS5100) holds various storage unit, suitable for AW51 & APS51 system

鋁框拉抽 (AW5100 & APS5100) 內可置放各式置物籃 / 盤 / 架, 適用於 AW51 & APS51 系列



AW5100
Cabinet Pull-out Drawer Frame 衣櫥鋁框拉抽

** For product specifications, please see page 05*



AW5100
(銀灰色)



AW5100DB
(深褐色)

APS5100
On-Pole Pull-out Drawer Frame 鋁柱型鋁框拉抽

** For product specifications, please see page 19*



APS5100
(銀灰色)



APS5100DB
(深褐色)

Album Rattan-Like Baskets 仿藤儲物收納籃

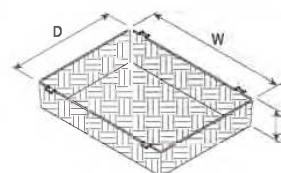
* Material: cardboard lining with rattan-like paper mat

* A green product, 100% recyclable

AW5123 Medium Baskets



Item No	Dimension (WxDxH)
AW5123-55	460 x 441 x 150 mm
AW5123-70	610 x 441 x 150 mm
AW5123-85	760 x 441 x 150 mm



AW5125 Deep Baskets



Item No	Dimension (WxDxH)
AW5125-55	460 x 441 x 300 mm
AW5125-70	610 x 441 x 300 mm
AW5125-85	760 x 441 x 300 mm



AW5121 Basket Covers



Item No	Dimension (WxD)
AW5121-55	460 x 441 mm
AW5121-70	610 x 441 mm
AW5121-85	760 x 441 mm

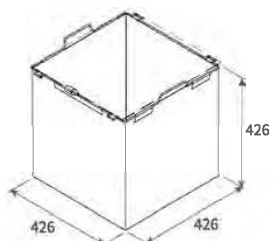


AW5123-55

AW5151-55 Laundry Hamper 洗衣籃

* Steel frame with hooks

* Dimensions: (W) 426 x (D) 426 x (H) 426mm



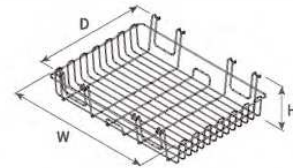
Album Wire Baskets 儲物收納線籃

* Silver powder coated steel wire 銀灰色

AW5111 Low Baskets



Item No	Dimension (WxDxH)
AW5111-55	437 x 441 x 87 mm
AW5111-70	587 x 441 x 87 mm
AW5111-85	737 x 441 x 87 mm



AW5114 Medium Baskets



Item No	Dimension (WxDxH)
AW5114-55	437 x 441 x 140 mm
AW5114-70	587 x 441 x 140 mm
AW5114-85	737 x 441 x 140 mm



AW5117 Deep Baskets



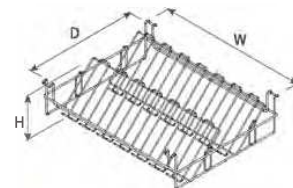
Item No	Dimension (WxDxH)
AW5117-55	437 x 441 x 275 mm
AW5117-70	587 x 441 x 275 mm
AW5117-85	737 x 441 x 275 mm

AW5140 Frontal Wire Shoes Racks 置鞋架

* Silver powder coated steel wire 銀灰色



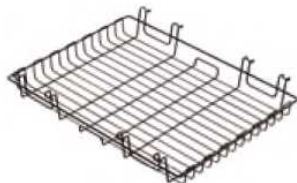
Item No	Dimension (WxDxH)
AW5140-55	445 x 441 x 156 mm
AW5140-70	595 x 441 x 156 mm
AW5140-85	745 x 441 x 156 mm



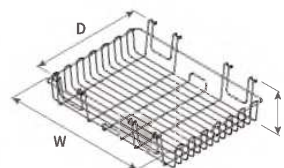
Album Wire Baskets 儲物收納線籃

* Dark bronze coated steel wire 深褐色

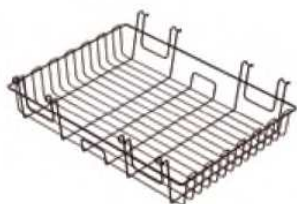
AW5111DB Low Baskets



Item No	Dimension (WxDxH)
AW5111DB-55	437 x 441 x 87 mm
AW5111DB-70	587 x 441 x 87 mm
AW5111DB-85	737 x 441 x 87 mm



AW5114DB Medium Baskets



Item No	Dimension (WxDxH)
AW5114DB-55	437 x 441 x 140 mm
AW5114DB-70	587 x 441 x 140 mm
AW5114DB-85	737 x 441 x 140 mm



AW5117DB Deep Baskets

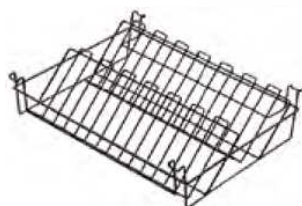


Item No	Dimension (WxDxH)
AW5117DB-55	437 x 441 x 275 mm
AW5117DB-70	587 x 441 x 275 mm
AW5117DB-85	737 x 441 x 275 mm

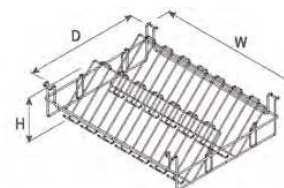


AW5140DB Frontal Wire Shoes Racks 置鞋架

* Dark bronze coated steel wire 深褐色



Item No	Dimension (WxDxH)
AW5140DB-55	445 x 441 x 156 mm
AW5140DB-70	595 x 441 x 156 mm
AW5140DB-85	745 x 441 x 156 mm



AW5162 Album Velvet Cedar Wood Accessory Trays 側柏實木配件盤

* Material: red cedar wood frame & dividers

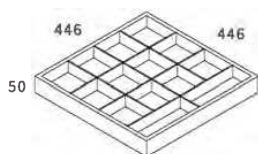
* Ideal for storing watches, necktie and belts etc.

Item No	Dimension (WxDxH)	Compartment No.
AW5162-55	446 x 446 x 50mm	14
AW5162-70	446 x 596 x 50mm	15
AW5162-85	446 x 746 x 50mm	19

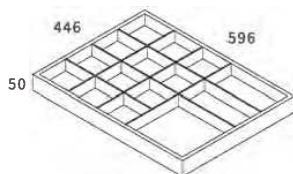


防霉·抗潮

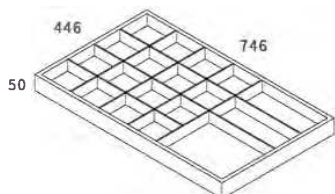
AW5162-55



AW5162-70



AW5162-85



Material Features

The new Album Accessory Trays are all made of Western Red Cedar, one of the most durable woods in the world. The soft red-brown timber has a tight, straight grain and few knots and light weight. It is valued for its distinct appearance, aroma, and its high natural resistance to decay, being extensively used for indoor and outdoor construction throughout Europe and America. Thujaplicin, a chemical substance, is found in mature trees and serves as a natural fungicide, thereby preventing the wood from rotting, and helping calming human's nerves.

The dried Western Red Cedar stably keeps its shape from curvature, deformation or crack. For the best quality of new Album Accessory Trays, we only use timber of #2 clr & BTR ranked by Western Wood Products Association (U.S.A.).

AW5164 Album Velvet Cedar Wood Accessory Trays 側柏實木珠寶盤

* Material: red cedar wood frame & dividers

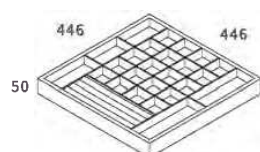
* Ideal for storing jewellery (ring, necklace and ear ring etc.,)

Item No	Dimension (WxDxH)	Compartment No.
AW5164-55	446 x 446 x 50mm	26
AW5164-70	446 x 596 x 50mm	28
AW5164-85	446 x 746 x 50mm	32

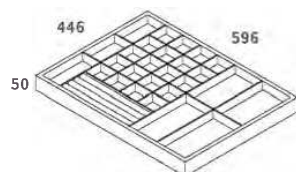


防霉·抗潮

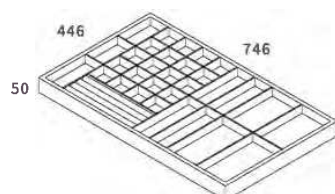
AW5164-55



AW5164-70



AW5164-85



珠寶 / 配件盤材質說明

本產品所使用木材為美西側柏 (Western Red Cedar)，俗稱北美紅檜或美檜，與台灣檜木同屬柏科，質地柔韌輕盈且具有濃郁香氣，抗性(防潮、防腐)及抗蟲性皆十分優越，自然損害極低，屬世上最耐久的木種之一。另有學者發現美西側柏含有檜酚類 Thujaplicin 精油原料成分，具有環境除菌力及抗白蟻特性，對人體則有鎮靜神經、提神等助益。

美西側柏乾燥成材後穩定性佳，不易彎曲變形或龜裂，在歐美地區是高級的建築裝潢材料，根據美國西部木材產品協會分級，本公司堅持採用最高等級 #2 clr & BTR 製作，以確保本產品的最佳品質。

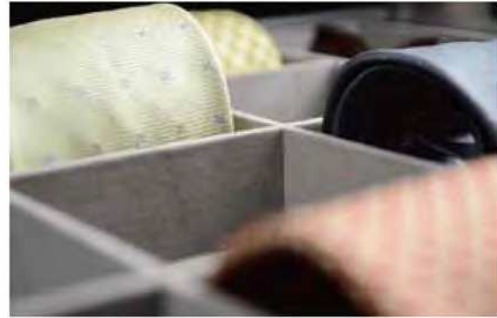
Album Velvet Accessory Trays 木製珠寶 / 配件盤

- * Material: solid wood frame, walnut lacquered
- * Gray velvet dividers

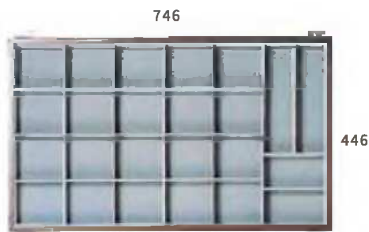


AW5161 Velvet Accessory Trays 木製配件盤

AW5161-70



AW5161-85



Item No	Dimension (WxDxH)	Compartment No.
AW5161-70	446 x 596 x 55mm	18
AW5161-85	446 x 746 x 55mm	24

AW5163 Velvet Jewellery Trays 木製珠寶盤

AW5163-70



AW5163-85

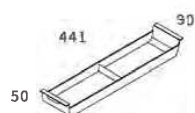


Item No	Dimension (WxDxH)	Compartment No.
AW5163-70	446 x 596 x 55mm	28
AW5163-85	446 x 746 x 55mm	31

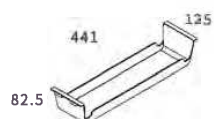
Album Plastic Trays & Socks Rack 塑膠收納盒

* Material: durable resin, translucent glass effect

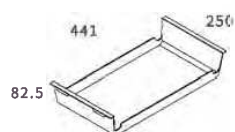
AW5130



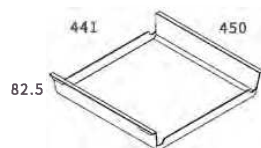
AW5131



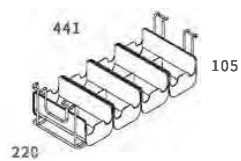
AW5132



AW5133

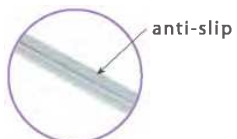


AW5134 Socks Rack



Album Trousers / Skirt Racks 吊褲 / 裙架

* Material: anodized aluminium rod topped with soft PU (rubber-like) insert to keep trousers steadily (not slipping away)



AW2105 Trousers Stick

* Silver powder coated



Item No	Contents
AW2105-55	7 pcs of AW2105 + 14 pcs of AW2106
AW2105-70	9 pcs of AW2105 + 18 pcs of AW2106
AW2105-85	11 pcs of AW2105 + 22 pcs of AW2106

AW2105DB Trousers Stick

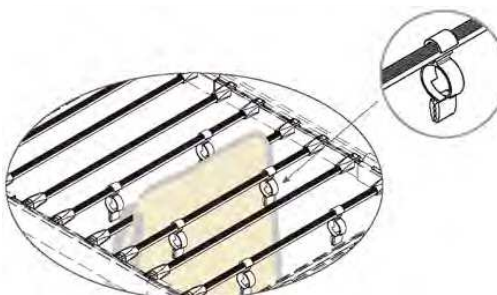
* Dark bronzed (DB)



Item No	Contents
AW2105DB-55	7 pcs of AW2105DB + 14 pcs of AW2106
AW2105DB-70	9 pcs of AW2105DB + 18 pcs of AW2106
AW2105DB-85	11 pcs of AW2105DB + 22 pcs of AW2106

AW2106 Garment Clip

* silver gray, 2 pcs/set



AW14

Walk-in Closet Assembly

開放式衣櫥組合件

Wardrobe depth: 400 ~ 450mm
櫥櫃深度: 400 ~ 450mm



AW14

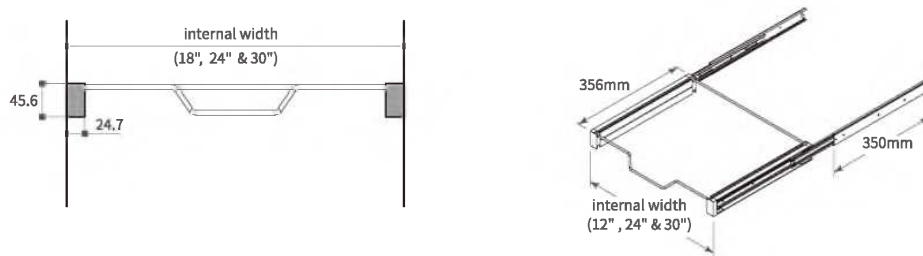
AW14 Drawer System

短式拉抽儲放系統

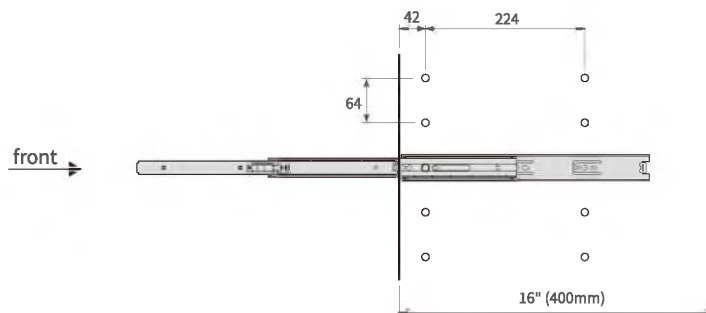
- For 16" (400mm) or 18" (450mm) depth wardrobe
- Taiwan patent 專利 M318676
- Convenient model 便利款式

1 Fixed (non-adjustable) drawer frame

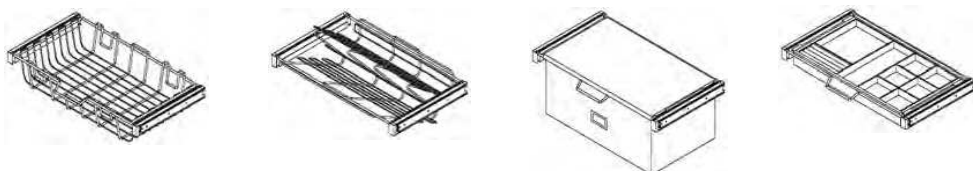
for 18" (457mm), 24" (610mm) & 30" (762mm), $\pm 2\text{mm}$ cabinet width



2 Self-closing 350mm L. full extension slide, easy installation for 32mm hole system



3 Various storages for wardrobe cabinets



AW14 Drawer System

* Complete with aluminium frame and 350mm full extension ball bearing slides

AW14 Wire Baskets 儲物收納線籃

* Matt silver frame & silver powder coated steel wire 銀灰色

AW14013 Medium Baskets



Item No	Dimension (WxDxH)
AW14013-18	457 x 356 x 143 mm (18" x 14" x 5-5/8")
AW14013-24	610 x 356 x 143 mm (24" x 14" x 5-5/8")
AW14013-30	762 x 356 x 143 mm (30" x 14" x 5-5/8")



AW14016 Deep Baskets



Item No	Dimension (WxDxH)
AW14016-18	457 x 356 x 254 mm (18" x 14" x 10")
AW14016-24	610 x 356 x 254 mm (24" x 14" x 10")
AW14016-30	762 x 356 x 254 mm (30" x 14" x 10")



AW14045 Frontal Wire Shoes Rack 置鞋架

* Matt silver frame & silver powder coated steel wire 銀灰色



Item No	Dimension (WxDxH)
AW14045-24	610 x 356 x 168 mm (24" x 14" x 6-5/8")
AW14045-30	762 x 356 x 168 mm (30" x 14" x 6-5/8")



AW14 Rattan-Like Baskets 仿籐儲物收納籃

- * Material: cardboard lining with rattan-like paper mat
- * A green product, 100% recyclable



AW14066 Low Baskets



Item No	Dimension (WxDxH)
AW14066-18	457 x 356 x 89 mm (18" x 14" x 3-1/2")
AW14066-24	610 x 356 x 89 mm (24" x 14" x 3-1/2")
AW14066-30	762 x 356 x 89mm (30" x 14" x 3-1/2")



AW14068 Medium Baskets



Item No	Dimension (WxDxH)
AW14068-18	457 x 356 x 146 mm (18" x 14" x 5-3/4")
AW14068-24	610 x 356 x 146 mm (24" x 14" x 5-3/4")
AW14068-30	762 x 356 x 146mm (30" x 14" x 5-3/4")

AW14 Textile Storage Bins 儲物箱 / 洗衣籃

- * Matt silver frame & silver powder coated steel wire

AW14025 Deep Storage Bins 衣物儲存箱



Item No	Dimension (WxDxH)
AW14025-18	457 x 356 x 280 mm (18" x 14" x 11")
AW14025-24	610 x 356 x 280 mm (24" x 14" x 11")
AW14025-30	762 x 356 x 280 mm (30" x 14" x 11")



AW14051 Laundry Hampers 洗衣籃



Item No	Dimension (WxDxH)
AW14051-24	610 x 356 x 483 mm (24" x 14" x 19")
AW14051-30	762 x 356 x 483 mm (30" x 14" x 19")



AW14062 Velet Wooden Trays 木製首飾盤

- * Matt silver frame & silver powder coated steel wire 銀灰色
- * Material: solid wood frame, walnut lacquered
- * Gray velvet dividers

AW14062-18



AW14062-24



AW14062-30



Item No	Dimension (WxDxH)
AW14062-18	457 x 356 x 56 mm (18" x 14" x 2-3/16")
AW14062-24	610 x 356 x 56 mm (24" x 14" x 2-3/16")
AW14062-30	762 x 356 x 56 mm (30" x 14" x 2-3/16")

AW14055 Trousers / Skirt Rack 吊褲 / 裙架

- * Matt silver frame & silver powder coated steel wire 銀灰色

AW2105 Trousers Stick

- * Material: anodized aluminium rod topped with soft PU (rubber-like) insert to keep trousers steadily (not slipping away)



AW2106 Garment Clip

- * Silver gray, 2pcs / set 銀灰色



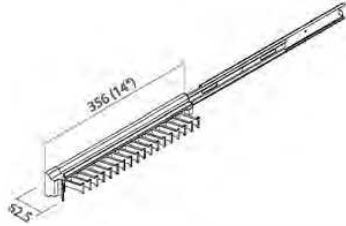
Item No	Dimension (WxDxH)	Contents
AW14055-18	457 x 476 x 51 mm (18" x 18-3/4" x 2")	5 pcs of AW2105 + 6 pcs of AW2106
AW14055-24	610 x 476 x 51 mm (24" x 18-3/4" x 2")	7 pcs of AW2105 + 8 pcs of AW2106
AW14055-30	762 x 476 x 51 mm (30" x 18-3/4" x 2")	9 pcs of AW2105 + 10 pcs of AW2106

AW14 Lateral Racks 側拉收納架

- * With 350mm L. full extension ball bearing slide
- * Overall length: 356mm
- * Mounting pattern: 224mm C.C.
- * Matt silver / black 銀灰 / 黑色

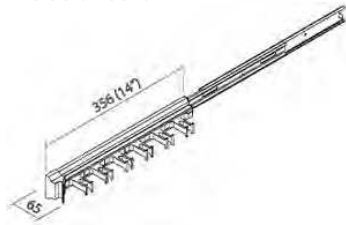
AW14081 Lateral Tie Rack 側拉領帶架

- * 18 tie hooks



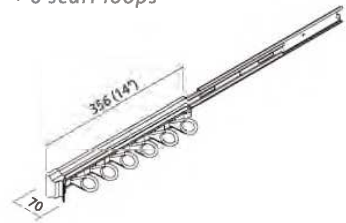
AW14083 Lateral Belt Rack 側拉皮帶架

- * 6 belt hooks



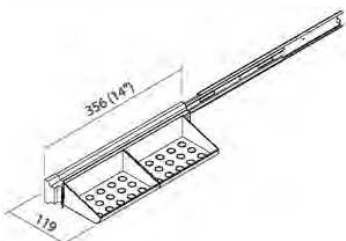
AW14085 Lateral Scarf Rack 側拉絲巾架

- * 6 scarf loops



AW14086 Lateral Tray Rack 側拉托盤架

- * 2 trays



Album Clothes Hanger & Storage Product

衣帽掛鉤及收納品

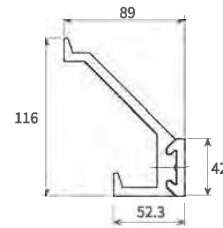




Album Clothes Hanger & Storage Product

AW1150 Album Coat & Hat Hooks 鋁製衣帽掛鈎

- * Made of aluminium 鋁製
- * Wall mounting



AW1150-32 Album Coat Hooks

- * 3 double hooks and 2 single hooks



AW1150-32

- * Matt silver 銀灰色



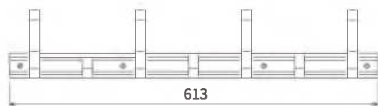
AW1150DB-32

- * Dark bronzed 深褐色



AW1150-43 Album Coat Hooks

- * 4 double hooks and 3 single hooks



AW1150-43

- * Matt silver 銀灰色



AW1150DB-43

- * Dark bronzed 深褐色

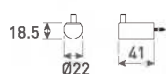


Album Clothes Hangers 衣帽鉤

* Solid aluminium formed by CNC machining
CNC 銑車床加工鋁合金件



DI-HKP11 Di Clothes Hanger 衣帽鉤

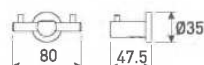


DI-HKP11WTNB
porcelain white / bright silver
磁白色 / 亮銀



DI-HKP11DB
dark bronzed
深褐色

DI-HKP22 Di Double Clothes Hanger 雙衣帽鉤



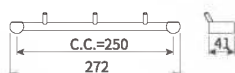
DI-HKP22WTNB
porcelain white / bright silver
磁白色 / 亮銀



DI-HKP22DB
dark bronzed
深褐色

DI-HKP33 Di Trio Clothes Hanger 衣帽鉤條, 三鉤

* With 3 stainless steel pins



DI-HKP33WTNB

* porcelain white / bright silver 磁白色 / 亮銀



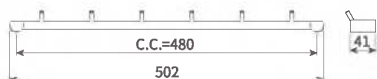
DI-HKP33DB

* Dark bronzed 深褐色



DI-HKP66 Di 6-Hooks Clothes Hanger 衣帽鉤條, 六鉤

* With 6 stainless steel pins



DI-HKP66WTNB

* porcelain white / bright silver 磁白色 / 亮銀



DI-HKP66DB

* Dark bronzed 深褐色



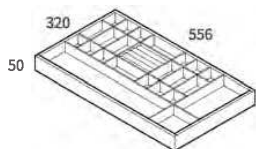
Velvet Cedar Wood Tray 側柏實木珠寶 / 配件盤

- * Material: red cedar wood frame & dividers
- * Stored inside the cabinet drawer 置於櫥櫃抽屜內



TY5532-1 Cedar Wood Jewellery Tray 側柏實木珠寶盤

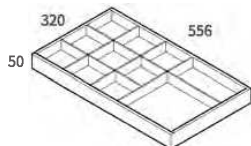
- * Dimensions: (W)556 x (D)320 x (H)50 mm



防霉·抗潮

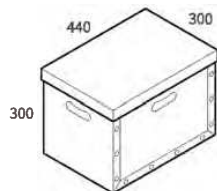
TY5532-2 Cedar Wood Accessory Tray 側柏實木配件盤

- * Dimensions: (W)556 x (D)320 x (H)50 mm

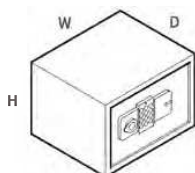


AW2110M Storage Box 厚紙卡儲藏箱

- * Dimensions: (W)440 x (D)300 x (H)300 mm



AW2125 & AW2130 Private Safe Box 個人用保險箱



Item No	Dimension (WxDxH)	Weight
AW2125	360 x 300 x 250 mm	13 kgs
AW2130	420 x 360 x 300 mm	16 kgs

Index

Model	Page	Model	Page	Model	Page
APS001-27	25	AW1166DB-12	11	AW2130	48
APS001DB-27	25	AW1166DB-14	11	AW5100-55	6
APS1111BM-60	26	AW14013-18	41	AW5100-70	6
APS1111BM-75	26	AW14013-24	41	AW5100-85	6
APS1111BM-90	26	AW14013-30	41	AW5100DB-55	6
APS1150-32	24	AW14016-18	41	AW5100DB-70	6
APS1150DB-32	24	AW14016-24	41	AW5100DB-85	6
APS240BM	20	AW14016-30	41	AW5111-55	32
APS240BM-DB	20	AW14025-18	42	AW5111-70	32
APS290TB	20	AW14025-24	42	AW5111-85	32
APS290TB-DB	20	AW14025-30	42	AW5111DB-55	33
APS5100-55	21	AW14045-24	41	AW5111DB-70	33
APS5100-70	21	AW14045-30	41	AW5111DB-85	33
APS5100-85	21	AW14051-24	42	AW5114-55	32
APS5100DB-55	21	AW14051-30	42	AW5114-70	32
APS5100DB-70	21	AW14055-18	43	AW5114-85	32
APS5100DB-85	21	AW14055-24	43	AW5114DB-55	33
APS5176	24	AW14055-30	43	AW5114DB-70	33
APS5177	24	AW14062-18	43	AW5114DB-85	33
APS5178	24	AW14062-24	43	AW5117-55	32
APS5181	23	AW14062-30	43	AW5117-70	32
APS5181DB	23	AW14066-18	42	AW5117-85	32
APS5183	23	AW14066-24	42	AW5117DB-55	33
APS5183DB	23	AW14066-30	42	AW5117DB-70	33
APS5185	23	AW14068-18	42	AW5117DB-85	33
APS5185DB	23	AW14068-24	42	AW5121-55	31
APS-WWS18	27	AW14068-30	42	AW5121-70	31
APS-WWS18DB	27	AW14081	44	AW5121-85	31
AW1101	14, 25	AW14083	44	AW5123-55	31
AW1101DB	15, 25	AW14085	44	AW5123-70	31
AW1104	14	AW14086	44	AW5123-85	31
AW1104DB	15	AW2105	38, 43	AW5125-55	31
AW1105	14	AW2105-55	38	AW5125-70	31
AW1105DB	15	AW2105-70	38	AW5125-85	31
AW1111SV-11A	13	AW2105-85	38	AW5130	37
AW1111SV-22A	13	AW2105DB	38	AW5131	37
AW1111SV-33A	13	AW2105DB-55	38	AW5132	37
AW1150-32	46	AW2105DB-70	38	AW5133	37
AW1150-43	46	AW2105DB-85	38	AW5134	37
AW1150DB-32	46	AW2106	38, 43	AW5140-55	32
AW1150DB-43	46	AW2110M	48	AW5140-70	32
AW1166-12	10	AW2121E	16	AW5140-85	32
AW1166-14	10	AW2125	48	AW5140DB-55	33

Index

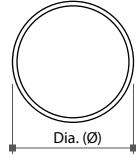
Model	Page
AW5140DB-70	33
AW5140DB-85	33
AW5151-55	31
AW5161-70	36
AW5161-85	36
AW5162-55	34
AW5162-70	34
AW5162-85	34
AW5163-70	36
AW5163-85	36
AW5164-55	35
AW5164-70	35
AW5164-85	35
AW5176	12
AW5177	12
AW5177	12
AW5179-IM	16
AW5181	8
AW5181DB	9
AW5182	8
AW5182DB	9
AW5183	8
AW5183DB	9
AW5185	8
AW5185DB	9
AW5191	10, 26
AW5191DB	11, 26
CS700PIR	28
DD24304	17
DI-HKPP11DB	47
DI-HKPP11WTNB	47
DI-HKPP22DB	47
DI-HKPP22WTNB	47
DI-HKPP33DB	47
DI-HKPP33WTNB	47
DI-HKPP66DB	47
DI-HKPP66WTNB	47
DS3	28
DT24W	17, 28
E1AJ100	17
EW-100	28
PLD2703-53NA	28
PLD2703-83NA	28

Model	Page
TY5532-1	48
TY5532-2	48
WM12W	17
XP2703PIR-54NA	17
XP2703PIR-83NA	17

15-1 Clothes Hanger Accessories

Steel Round Closet Rod

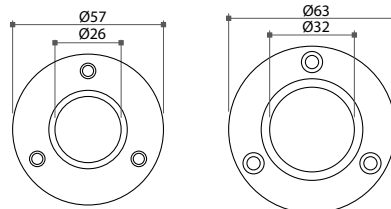
- * Thickness: 1.0 ~ 1.2mm
- * Finish: chrome or nickel plated
- * Length to be specified, up to 3 meters



Item No.	Dia. (Ø)
8706	Ø25mm (1")
8707	Ø27mm (1-1/16")
8708	Ø32mm (1-1/4")
8709	Ø33.3mm (1-5/16")

Rod Supports

- * Closed type
- * Material: zamak
- * Finish: chrome plated, nickel plated, brass plated



Item No.	Rod dia. (Ø)
83211	Ø25mm (1")
83212	Ø32mm (1-1/4")

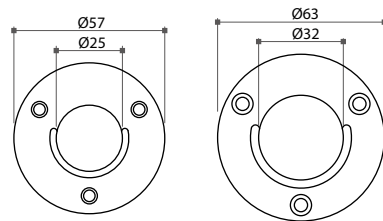
83211

83212



Rod Supports

- * Open type
- * Material: zamak
- * Finish: chrome plated, nickel plated, brass plated



Item No.	Rod dia. (Ø)
83231	Ø25mm (1")
83232	Ø32mm (1-1/4")

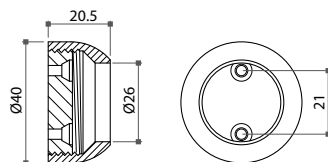
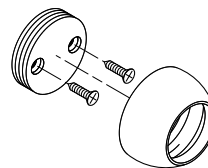
83231

83232



83371 Encircled Tube Support

- * Material: plastic
- * For Ø25mm closet rod
- * Screw fixing (21 mm C.C.)
- * Color: white or chrome plated



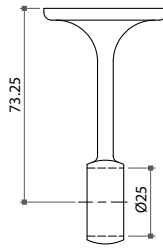
Item No.	Rod dia. (Ø)
83371	Ø25mm (1")



15-1 Clothes Hanger Accessories

83271 Rod Supports

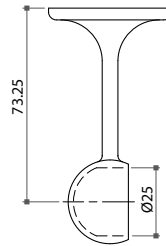
- * For $\varnothing 25\text{mm}$ (1") closet rod
- * Open type
- * Material: zamak
- * Finish: chrome plated, nickel plated, brass plated



Item No.	Rod dia. (\varnothing)
83271	$\varnothing 25\text{mm}$ (1")

83281 Rod Supports

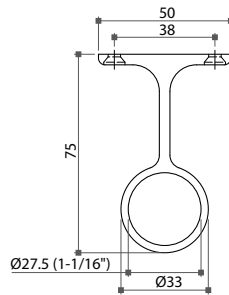
- * For $\varnothing 25\text{mm}$ (1") closet rod
- * Closed type
- * Material: zamak
- * Finish: chrome plated, nickel plated, brass plated



Item No.	Rod dia. (\varnothing)
83281	$\varnothing 25\text{mm}$ (1")

83329 Center Hanging Supports

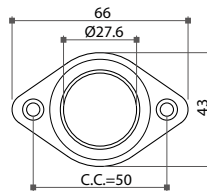
- * For $\varnothing 27\text{mm}$ (1-1/16") closet rod
- * Material: zamak
- * Finish: chrome plated, brass plated, nickel plated



Item No.	Rod dia. (\varnothing)
83329	$\varnothing 27\text{mm}$ (1-1/16")

83320 Rod Supports

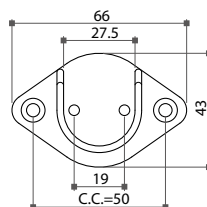
- * For $\varnothing 27\text{mm}$ (1-1/16") closet rod
- * Closed type
- * Material: zamak
- * Finish: chrome plated, brass plated



Item No.	Rod dia. (\varnothing)
83320	$\varnothing 27\text{mm}$ (1-1/16")

83340 Rod Supports

- * For $\varnothing 27\text{mm}$ (1-1/16") closet rod
- * Open type
- * Material: zamak
- * Finish: chrome plated, brass plated

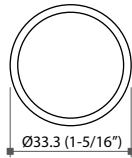


Item No.	Rod dia. (\varnothing)
83340	$\varnothing 27\text{mm}$ (1-1/16")

15-1 Clothes Hanger Accessories

87110 Aluminium Round Closet Rod

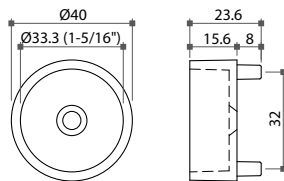
- * Rod diameter: $\text{Ø}1\text{-}5/16"$ (33.3mm)
- * Thickness: 2.0 mm
- * Finish: matt silver, dull nickel, dull brass, matt black, oil rubbed bronze, bright silver
- * Length to be specified, up to 3 meters



Item No.	Dia. (Ø)
87110	Ø33.3mm (1-5/16")

83311 Rod Supports

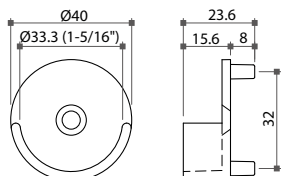
- * For $\text{Ø}33.3\text{mm}$ (1-5/16") closet rod
- * Closed type, with 2 pins ($\text{Ø}5\text{mm}$), 32mm C.C. and 1 screw hole
- * Material: zamak
- * Finish: chrome plated, nickel plated, brass plated, dull chrome, dull nickel, dull brass, matt black, oil rubbed bronze



Item No.	Rod dia. (Ø)
83311	Ø33.3mm (1-5/16")

83351 Rod Supports

- * For $\text{Ø}33.3\text{mm}$ (1-5/16") closet rod
- * Open type, with 2 pins ($\text{Ø}5\text{mm}$), 32mm C.C. and 1 screw hole
- * Material: zamak
- * Finish: chrome plated, nickel plated, brass plated, dull chrome, dull nickel, dull brass, matt black, oil rubbed bronze

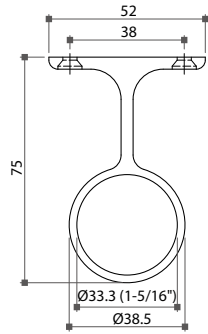


Item No.	Rod dia. (Ø)
83351	Ø33.3mm (1-5/16")

15-1 Clothes Hanger Accessories

83319 Center Hanging Supports

- * For $\varnothing 33.3\text{mm}$ (1-5/16") closet rod
- * Material: zamak
- * Finish: chrome plated, nickel plated, brass plated, dull chrome, dull nickel, dull brass, matt black, oil rubbed bronze

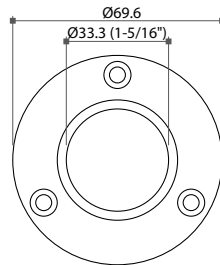


Item No.	Dia. (\varnothing)
83319	$\varnothing 33.3\text{mm}$ (1-5/16")



83310 Rod Supports

- * For $\varnothing 33.3\text{mm}$ (1-5/16") closet rod
- * Closed type, with 3 screw holes
- * Material: zamak
- * Finish: chrome plated, nickel plated, brass plated, dull chrome, dull nickel, dull brass, matt black, oil rubbed bronze

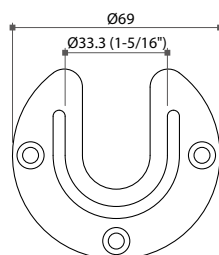


Item No.	Rod dia. (\varnothing)
83310	$\varnothing 33.3\text{mm}$ (1-5/16")



83350 Rod Supports

- * For $\varnothing 33.3\text{mm}$ (1-5/16") closet rod
- * Open type, with 3 screw holes
- * Material: zamak
- * Finish: chrome plated, nickel plated, brass plated, dull chrome, dull nickel, dull brass, matt black, oil rubbed bronze



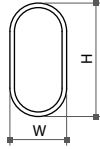
Item No.	Rod dia. (\varnothing)
83350	$\varnothing 33.3\text{mm}$ (1-5/16")



15-1 Clothes Hanger Accessories

Steel Oval Closet Rod

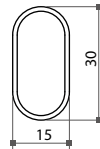
- * Size: 12x25mm or 15x30mm
- * Thickness: 0.9 ~ 1.2mm
- * Finish: chrome plated
- * Length to be specified, up to 3 meters



Item No.	Size (WxH)
87000	15x22mm
87001	15x30mm

8704 Aluminum Oval Closet Rod

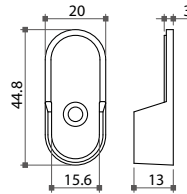
- * Size: 15x30mm, smooth surface
- * Thickness: 1.2mm
- * Finish: anodized
- * Length to be specified, up to 3 meters



Item No.	Size (WxH)
8704	15x30mm

83390 Oval Rail Support

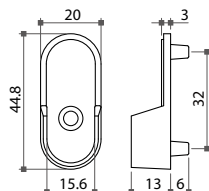
- * For 15x30mm closet rod
- * Material: zamak
- * Finish: chrome plated, nickel plated



Item No.	Rod size
83390	15x30mm

83391 Oval Rail Support

- * For 15x30mm closet rod
- * Material: zamak
- * Finish: chrome plated, nickel plated, brass plated, dull chrome, dull nickel, dull brass, matt black, oil rubbed bronze

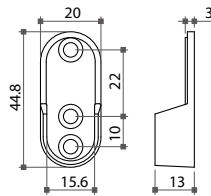


Item No.	Rod size
83391	15x30mm

15-1 Clothes Hanger Accessories

83392 Oval Rail Support

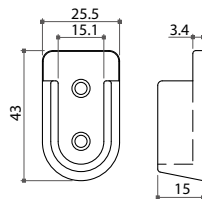
- * For 15x30mm closet rod
- * Material: zamak
- * Finish: chrome plated, nickel plated, brass plated, dull chrome, dull nickel, dull brass, matt black, oil rubbed bronze



Item No.	Rod size
83392	15x30mm

83393 Plastic Rail Support

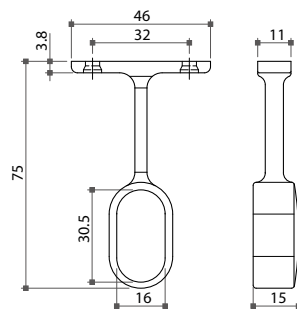
- * Size: 15x30mm
- * Screw fixing
- * Material: plastic
- * Color: white or chrome plated



Item No.	Rod size
83393	15x30mm

83398 Rail Support

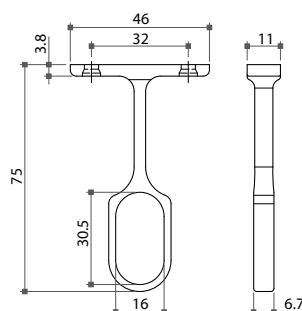
- * For 15x30mm closet rod, closed type
- * Material: zamak
- * Finish: chrome plated, nickel plated, brass plated, dull chrome, dull nickel, dull brass, matt black, oil rubbed bronze



Item No.	Rod size
83398	15x30mm

83399 Center Rail Support

- * For 15x30mm closet rod, open type
- * Material: zamak
- * Finish: chrome plated, nickel plated, brass plated, dull chrome, dull nickel, dull brass, matt black, oil rubbed bronze

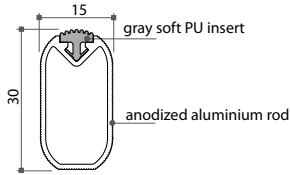


Item No.	Rod size
83399	15x30mm

15-1 Clothes Hanger Accessories

AW1101 Album Wardrobe Rail

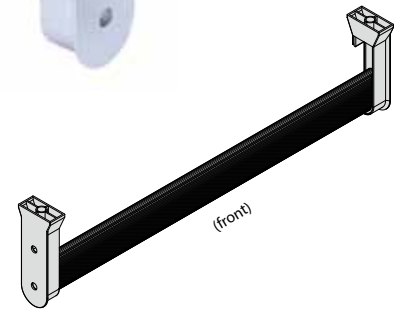
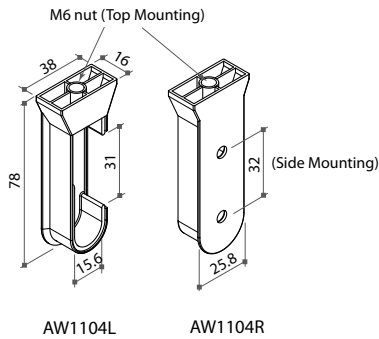
- * Extruded and anodized aluminium tube, topped with soft PU (rubber-like) insert to hold clothes hangers steadily and silently
- * 3 meters (10 feet) long



Item No.	Size
AW1101	15x30mm

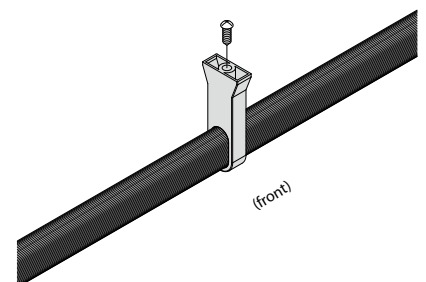
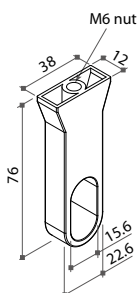
AW1104 Album Rail Support

- * Side mounting with 32mm hole C.C. or top mounting with M6 nut and 40mm L. bolt
- * Plastic, silver coated
- * Each set includes one right hand and one left hand support



AW1105 Album Center Rail Support

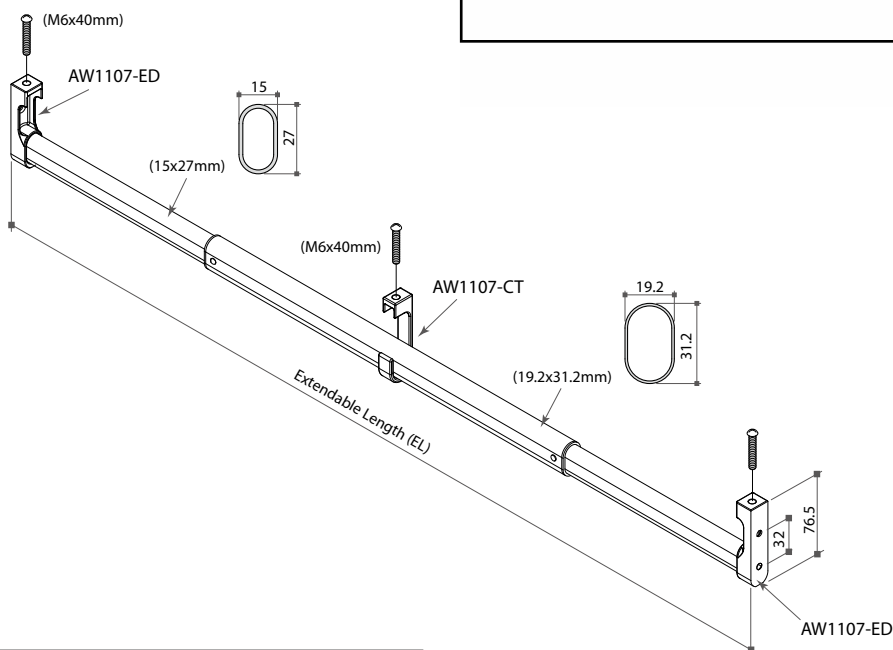
- * Top mounting only, with M6 nut and 40mm L. bolt
- * Plastic, silver coated
- * To be used with AW1104 rail support



15-1 Clothes Hanger Accessories

AW1107 Extendable Wardrobe Rail

- * Extruded aluminium, matt silver anodized
- * Three extendable lengths
- * Including **AW1107-ED** End Support and **AW1107-CT** Center Support (optional) each set

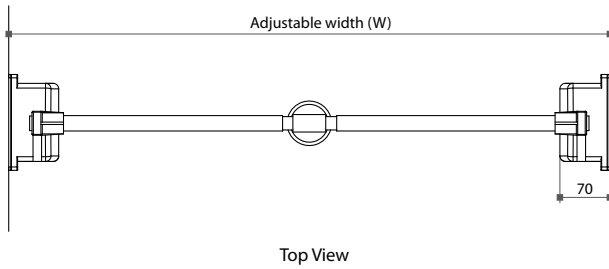


Item No.	Extendable length (EL)
AW1107-4171	410 ~ 711mm (16-1/8" ~ 28")
AW1107-7110	710 ~ 1,012mm (28" ~ 39-7/8")
AW1107-1013	1,010 ~ 1,362mm (39-7/8" ~ 53-5/8")

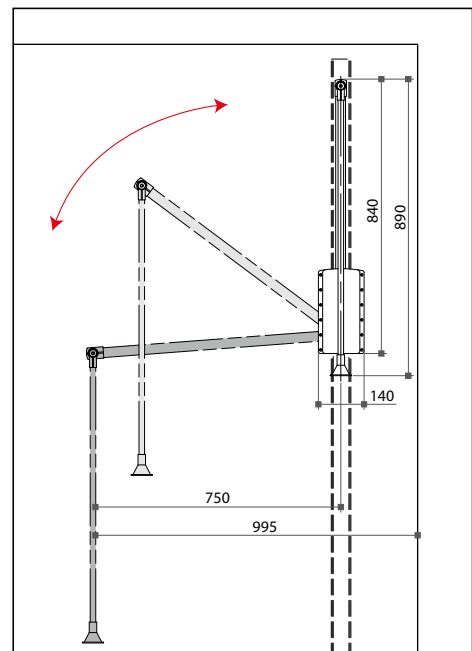
15-1 Clothes Hanger Accessories

AW1111 Wardrobe Lift (Pull-Down Closet Rod)

- * Side mount, three adjustable widths
- * Hydraulic spring loading 8, 10 and 12 kgs
- * Aluminium closet rod/silver plastic housing



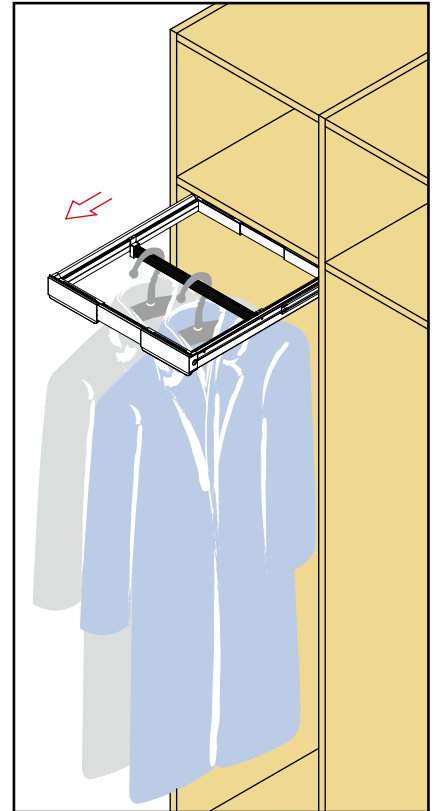
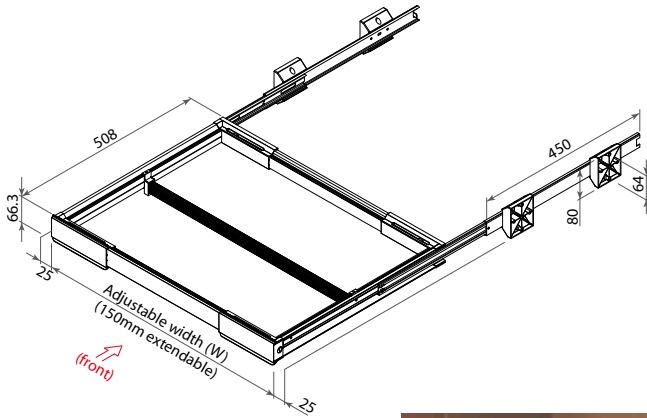
Item No.	Adjustable width (W)	Loading weight
AW1111SV-11	560 ~ 650mm	8 kgs
AW1111SV-22	660 ~ 750mm	10 kgs
AW1111SV-33	885 ~ 975mm	12 kgs



15-1 Clothes Hanger Accessories

AW5105BF Pull-Out Closet Rod Supporter

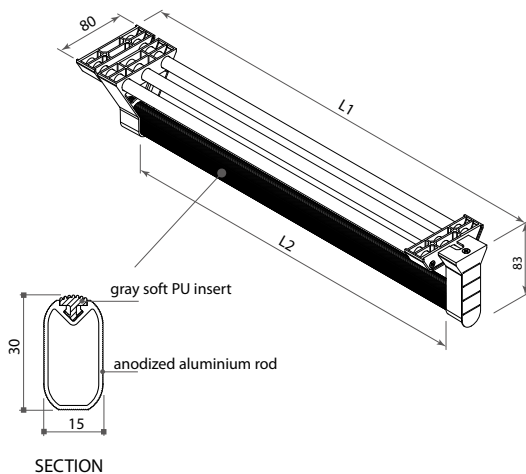
- * Ergonomic design for easier access to clothes hung under low shelf and better viewing from tall narrow cabinet
- * Consists of 1 pc of **AW51** series Basic Pull-Out Frame, 2 pcs of rod holder and 1 meter of wardrobe rail (**AW1101**)



Item No.	Internal width (W)
AW5105BF-40	400 ~ 550mm
AW5105BF-55	550 ~ 700mm
AW5105BF-70	700 ~ 850mm

Extractable Clothes Holder

- * Top mount
- * Rod material: extruded aluminium rod, topped with soft PU (rubber-like) insert to hold hangers in position steadily and silently



Item No.	L1	L2
AW5191	455mm	378mm
AW1491	355mm	278mm

15-2 Wardrobe Hooks

A7302 Square Coat Hooks

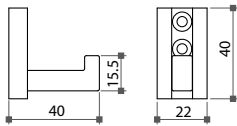
- * Aluminium, natural anodized (matt silver)
- * With visible screw hole



Item No.	Number of hook	L
A7302-3	3 pcs	216mm
A7302-5	5 pcs	376mm
A7302-7	7 pcs	536mm

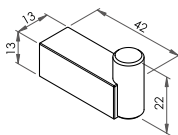
A7301 Single Coat Hook

- * Aluminium, natural anodized (matt silver)
- * With 2 visible screw holes



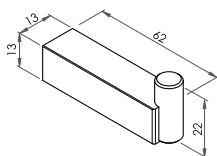
A7911 Single Coat Hook

- * Aluminium, natural anodized (matt silver)
- * With wall mounting accessories including brass dowel, set screw, plastic anchor and screw



A7912 Single Coat Hook

- * Aluminium, natural anodized (matt silver)
- * With wall mounting accessories including brass dowel, set screw, plastic anchor and screw



15-2 Wardrobe Hooks

65081-1 Coat & Hat Hook

- * Material: zamak
- * Finish: brass plated, chrome plated



65090 Single Wardrobe Hook

- * Material: zamak
- * Finish: brass plated, chrome plated



65092 Single Wardrobe Hook

- * Material: zamak
- * Finish: brass plated, chrome plated



65030 Coat & Hat Hook

- * Material: zamak
- * Finish: brass plated, chrome plated



65033 Coat & Hat Hook

- * Material: steel back plate, aluminum hook
- * Size: Ø60x98mm L.
- * Finish: white, black, champagne coated



65034 Coat & Hat Hook

- * Material: aluminium
- * Size: 92W.x105mm L.
- * Finish: white, black, champagne coated



65230 Coat & Hat Hook

- * Material: zamak
- * Finish: brass plated, chrome plated



65173 Coat & Hat Hook

- * Material: zamak
- * Finish: chrome or satin chrome plated



15-3 Hangers & Shoe Racks

Album Hanging Racks

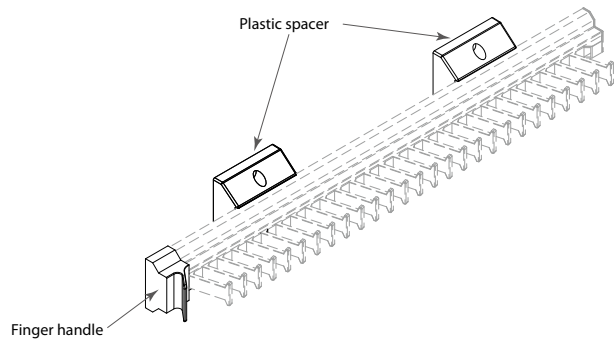
- * Aluminium in natural anodized
- * With silver coated plastic finger handle and silent soft-closing full extension ball bearing slide
- * Option feature: 25mm thickness plastic spacers

Plastic Spacer

- * Plastic in silver coated
- * 25mm thickness, 64mm C.C.
- * Make installation easier
- * Ensure drawers not to be blocked by door hinges

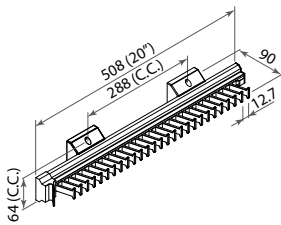
Finger Handle

- * Plastic in silver coated
- * For pull-out

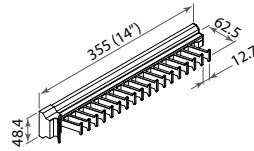


Tie Rack

- * Plastic hook in black



AW5181 (with spacer)



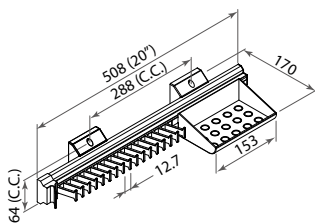
AW14081 (without spacer)



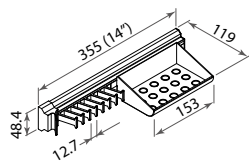
Item No.	Feature	Length
AW5181	27 tie hooks	508mm
AW14081	18 tie hooks	355mm

Tie and Tray Rack

- * Plastic hook in black and one translucent tray



AW5182 (with spacer)



AW14082 (without spacer)

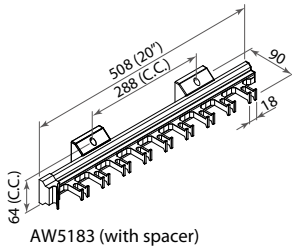


Item No.	Feature	Length
AW5182	17 tie hooks / 1 tray	508mm
AW14082	8 tie hooks / 1 tray	355mm

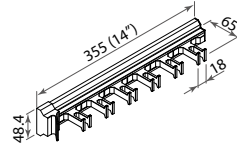
15-3 Hangers & Shoe Racks

Double Hook Hanger Rack

- * Plastic hook in black
- * Suitable for hanging belts, hand bags and hats



AW5183 (with spacer)



AW14083 (without spacer)

Item No.	Feature	Length
AW5183	9 hooks	508mm
AW14083	6 hooks	355mm



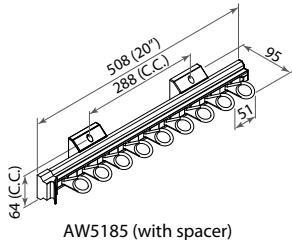
AW5183



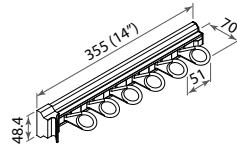
AW14083

Scarf Rack

- * Plastic loop in black



AW5185 (with spacer)



AW14085 (without spacer)

Item No.	Feature	Length
AW5185	9 loops	508mm
AW14085	6 loops	355mm



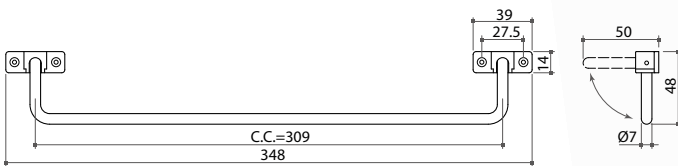
AW5185



AW14085

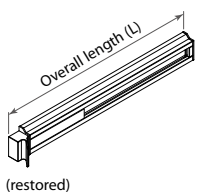
65098 Foldable Rack

- * Metal, chrome plated
- * Size: 50x310 mm (C.C.)

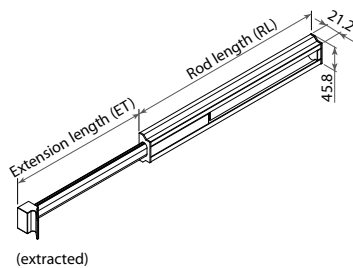


AW1166 Valet Rod

- * Material: aluminium frame in silver anodized and plastic part in black
- * Side mount
- * For bags or clothes



(restored)



(extracted)

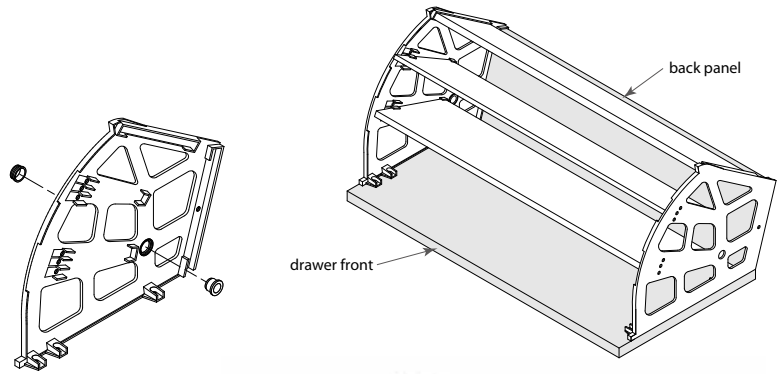


Item No.	Overall length (L)	Extension length (ET)	Rod length (RL)
AW1166-12	310mm	190mm	287mm
AW1166-14	360mm	240mm	337mm

15-3 Hangers & Shoe Racks

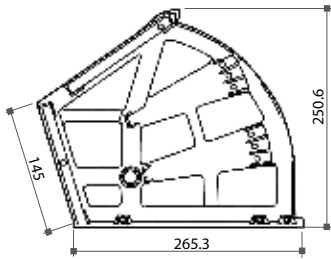
Shoe Racks

- * Material: plastic
- * Colors: white, ivory
- * Each set consists of one left & one right rack with inserts and stops



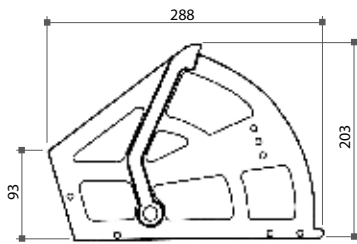
90600

- * Triple tiers



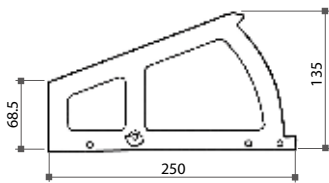
90601

- * Double tiers



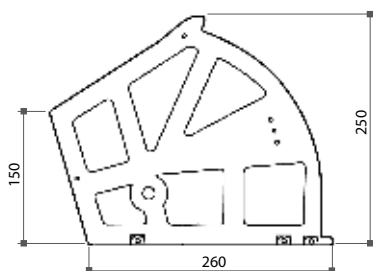
90602

- * Single tier



90603

- * Two tiers



Алматы (7273)495-231
Ангарск (3955)60-70-56
Архангельск (8182)63-90-72
Астрахань (8512)99-46-04
Барнаул (3852)73-04-60
Белгород (4722)40-23-64
Благовещенск (4162)22-76-07
Брянск (4832)59-03-52
Владивосток (423)249-28-31
Владикавказ (8672)28-90-48
Владимир (4922)49-43-18
Волгоград (844)278-03-48
Вологда (8172)26-41-59
Воронеж (473)204-51-73
Екатеринбург (343)384-55-89

Иваново (4932)77-34-06
Ижевск (3412)26-03-58
Иркутск (395)279-98-46
Казань (843)206-01-48
Калининград (4012)72-03-81
Калуга (4842)92-23-67
Кемерово (3842)65-04-62
Киров (8332)68-02-04
Коломна (4966)23-41-49
Кострома (4942)77-07-48
Краснодар (861)203-40-90
Красноярск (391)204-63-61
Курск (4712)77-13-04
Курган (3522)50-90-47
Липецк (4742)52-20-81

Магнитогорск (3519)55-03-13
Москва (495)268-04-70
Мурманск (8152)59-64-93
Набережные Челны (8552)20-53-41
Нижний Новгород (831)429-08-12
Новокузнецк (3843)20-46-81
Ноябрьск (3496)41-32-12
Новосибирск (383)227-86-73
Омск (3812)21-46-40
Орел (4862)44-53-42
Оренбург (3532)37-68-04
Пенза (8412)22-31-16
Петрозаводск (8142)55-98-37
Псков (8112)59-10-37

Пермь (342)205-81-47
Ростов-на-Дону (863)308-18-15
Рязань (4912)46-61-64
Самара (846)206-03-16
Саранск (8342)22-96-24
Санкт-Петербург (812)309-46-40
Саратов (845)249-38-78
Севастополь (8692)22-31-93
Симферополь (3652)67-13-56
Смоленск (4812)29-41-54
Сочи (862)225-72-31
Ставрополь (8652)20-65-13
Сургут (3462)77-98-35
Сыктывкар (8212)25-95-17
Тамбов (4752)50-40-97

Тверь (4822)63-31-35
Тольятти (8482)63-91-07
Томск (3822)98-41-53
Тула (4872)33-79-87
Тюмень (3452)66-21-18
Ульяновск (8422)24-23-59
Улан-Удэ (3012)59-97-51
Уфа (347)229-48-12
Хабаровск (4212)92-98-04
Чебоксары (8352)28-53-07
Челябинск (351)202-03-61
Череповец (8202)49-02-64
Чита (3022)38-34-83
Якутск (4112)23-90-97
Ярославль (4852)69-52-93

Россия +7(495)268-04-70

Казахстан +7(7172)727-132

Киргизия +996(312)96-26-47

www.fourwinds.nt-rt.ru | | fse@nt-rt.ru