

Алматы (7273)495-231	Иваново (4932)77-34-06	Магнитогорск (3519)55-03-13	Пермь (342)205-81-47	Тверь (4822)63-31-35
Ангарск (3955)60-70-56	Ижевск (3412)26-03-58	Москва (495)268-04-70	Ростов-на-Дону (863)308-18-15	Тольятти (8482)63-91-07
Архангельск (8182)63-90-72	Иркутск (395)279-98-46	Мурманск (8152)59-64-93	Рязань (4912)46-61-64	Томск (3822)98-41-53
Астрахань (8512)99-46-04	Казань (843)206-01-48	Набережные Челны (8552)20-53-41	Самара (846)206-03-16	Тула (4872)33-79-87
Барнаул (3852)73-04-60	Калининград (4012)72-03-81	Нижний Новгород (831)429-08-12	Саранск (8342)22-96-24	Тюмень (3452)66-21-18
Белгород (4722)40-23-64	Калуга (4842)92-23-67	Новокузнецк (3843)20-46-81	Санкт-Петербург (812)309-46-40	Ульяновск (8422)24-23-59
Благовещенск (4162)22-76-07	Кемерово (3842)65-04-62	Ноябрьск (3496)41-32-12	Саратов (845)249-38-78	Улан-Удэ (3012)59-97-51
Брянск (4832)59-03-52	Киров (8332)68-02-04	Новосибирск (383)227-86-73	Севастополь (8692)22-31-93	Уфа (347)229-48-12
Владивосток (423)249-28-31	Коломна (4966)23-41-49	Омск (3812)21-46-40	Симферополь (3652)67-13-56	Хабаровск (4212)92-98-04
Владикавказ (8672)28-90-48	Кострома (4942)77-07-48	Орел (4862)44-53-42	Смоленск (4812)29-41-54	Чебоксары (8352)28-53-07
Владимир (4922)49-43-18	Краснодар (861)203-40-90	Оренбург (3532)37-68-04	Сочи (862)225-72-31	Челябинск (351)202-03-61
Волгоград (844)278-03-48	Красноярск (391)204-63-61	Пенза (8412)22-31-16	Ставрополь (8652)20-65-13	Череповец (8202)49-02-64
Вологда (8172)26-41-59	Курск (4712)77-13-04	Петрозаводск (8142)55-98-37	Сургут (3462)77-98-35	Чита (3022)38-34-83
Воронеж (473)204-51-73	Курган (3522)50-90-47	Псков (8112)59-10-37	Сыктывкар (8212)25-95-17	Якутск (4112)23-90-97
Екатеринбург (343)384-55-89	Липецк (4742)52-20-81		Тамбов (4752)50-40-97	Ярославль (4852)69-52-93

Россия +7(495)268-04-70

Казахстан +7(7172)727-132

Киргизия +996(312)96-26-47

www.fourwinds.nt-rt.ru | fse@nt-rt.ru

Технические характеристики на мебельные ручки FW компании **Four Winds**

Виды товаров: антимикробные ручки, ручки-кнопки, ручки-штанги, алюминиевые ручки, ручки-скобы, ручки-рейлы, торцевые ручки, врезные ручки, накладные ручки и др.

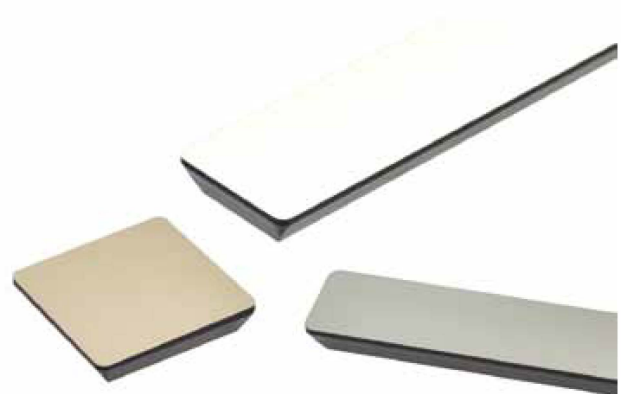
3) TRUE material brews clean atmosphere to interior space, long lasting and recyclable

真材料, 讓空間感更潔淨, 雋永且利於環保回收

Solid aluminium 純鋁合金



Antimicrobial high pressure laminate 富美家[®] 潔菌板[™]

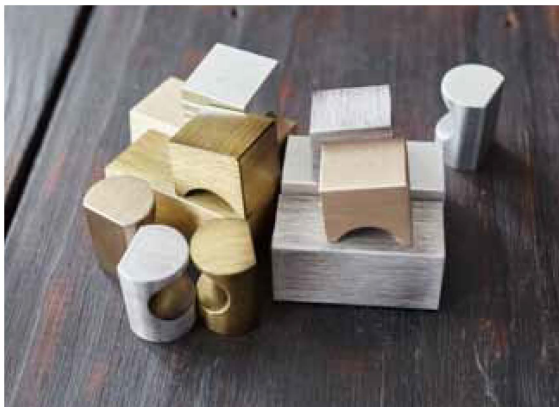


Fiber carbon tube 碳纖維管



4) Anodized finish and double layers of rigid coating maintain an eco-friendly environment and inject delight to interior design

陽極處理及雙重厚實烤漆, 具環保理念又能帶出室內設計的活潑愉悅感



Anodized and hairlined 陽極處理及拉絲工序



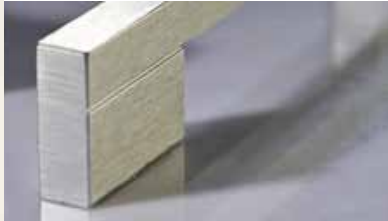
Rigid coating and macaron colors

Group 1 第一類

• Anodized and hairlined finish 陽極處理及拉絲工序



ABN - hairline inox
仿不銹鋼拉絲



BNB - hairline bright silver
亮銀拉絲



DNB - rustic iron
灰古銀拉絲



DBB - rustic brass
青古銅拉絲



ABB - hairline gold
鈦金拉絲

A1166 page 3, 4	A2121 page 7, 8	A2122 page 9, 10	A2153 page 5, 6
--------------------	--------------------	---------------------	--------------------



A2163 page 1, 2	A3181 page 19, 20	A3183 page 21, 22	A3212 page 11, 12
--------------------	----------------------	----------------------	----------------------



A3221 page 17, 18	A3222 page 13, 14	A3226 page 15, 16	A3551 page 27, 28
----------------------	----------------------	----------------------	----------------------



A4422 page 33	A5141 page 23, 24, 35	A5150 page 25, 26, 34	A5201 page 29, 30	A8108 page 31, 32, 35
------------------	--------------------------	--------------------------	----------------------	--------------------------



Group 2 第二類

- Double layers of rigid coating 雙重厚實烤漆

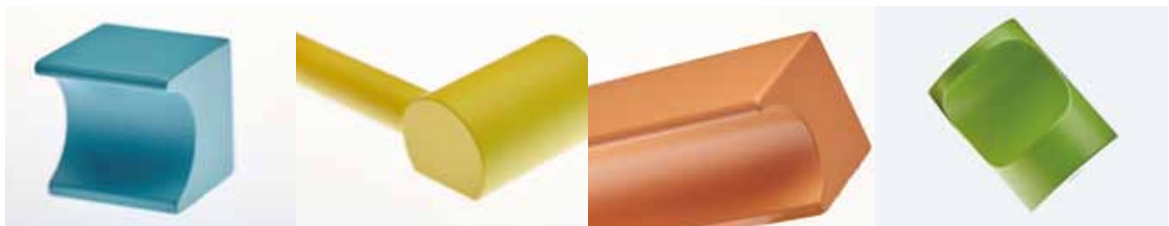


NKS - glazed pure black
亮瓷黑

WTS - glazed pure white
亮瓷白

BLS - glazed gentian blue
山花藍

TRS - glazed tomato red
蕃茄紅



MBL - macaron blue
馬卡龍藍

MYE - macaron yellow
馬卡龍黃

MOR - macaron orange
馬卡龍橘

MGR - macaron green
馬卡龍綠

A1122
page 54



A1238
page 53



A2151
page 37, 38



A2161
page 43, 44



A2162
page 39, 40



A2172
page 41, 42



A3182
page 49, 50



A3223
page 47, 48



A4422
page 53



A4428
page 33



A5151
page 36, 55



A5161
page 36, 45, 46



A8107
page 51, 52



Group 3 第三類

- TRUE material antimicrobial high pressure laminate and fiber carbon tube

真材質, 具抗菌保護的富美家® 潔菌板™ 及質輕堅韌的碳纖管



antimicrobial high pressure laminate
富美家® 潔菌板



fiber carbon tube
碳纖管

- Antimicrobial handle & knob

PT2400
page 57



PT2400BGA-128



PT2400WTA-160

PT3200
page 58



PT3200GRA-160



PT3200WTA-256

PT4848
page 56



GRA



BGA



WTA

- Fiber carbon tubular handle

RFW122
page 59, 60



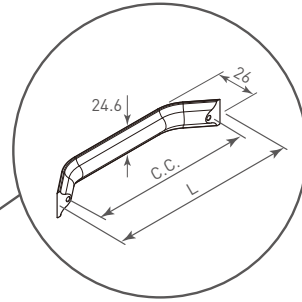
RFW144
page 61, 62



Aluminium Bent Handle

A2163

A2163



Rustic iron (aluminium anodized) 灰古銀拉絲

A2163DNB



A2163DNB-480
C.C.=480mm
L=504mm

A2163DNB-352
C.C.=352mm
L=376mm

A2163DNB-224
C.C.=224mm
L=248mm

A2163DNB-160
C.C.=160mm
L=184mm

Hairline inox (aluminium anodized) 仿不銹鋼拉絲

A2163ABN



A2163ABN-480
C.C.=480mm
L=504mm

A2163ABN-352
C.C.=352mm
L=376mm

A2163ABN-224
C.C.=224mm
L=248mm

A2163ABN-160
C.C.=160mm
L=184mm



Hairline inox A2163ABN



Rustic iron A2163DNB

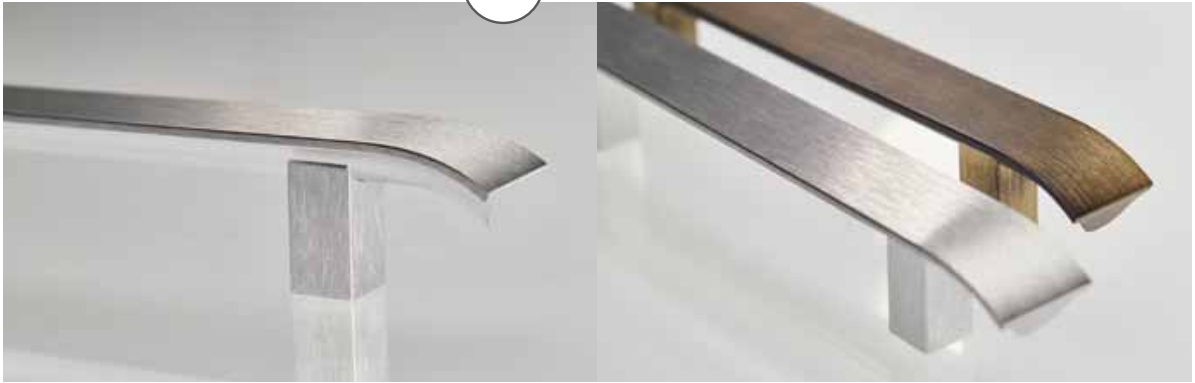
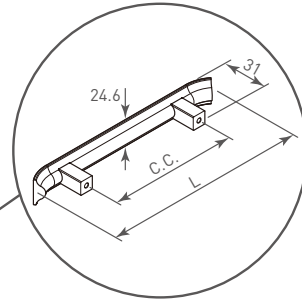


Rustic brass A2163DBB

Aluminium Bar Handle

A1166

A1166



Rustic iron (aluminium anodized) 灰古銀拉絲

A1166DNB



A1166DNB-448
C.C.=448mm
L=522mm

A1166DNB-320
C.C.=320mm
L=394mm

A1166DNB-192
C.C.=192mm
L=266mm

A1166DNB-128
C.C.=128mm
L=202mm

Rustic brass (aluminium anodized) 青古銅拉絲

A1166DBB



A1166DBB-448
C.C.=448mm
L=522mm

A1166DBB-320
C.C.=320mm
L=394mm

A1166DBB-192
C.C.=192mm
L=266mm

A1166DBB-128
C.C.=128mm
L=202mm



Rustic brass A1166DBB



Hairline inox A1166ABN



Rustic iron A1166DNB

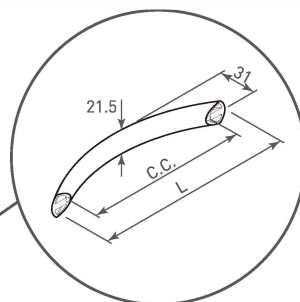


Hairline bright silver A1166BNB

Aluminium Arch 21 Handle

A2153

A2153



Hairline bright silver (aluminium anodized) 亮銀拉絲

A2153BNB



A2153BNB-352
C.C.=352mm
L=425mm

A2153BNB-224
C.C.=224mm
L=269mm

A2153BNB-160
C.C.=160mm
L=193mm

Rustic brass (aluminium anodized) 青古銅拉絲

A2153DBB



A2153DBB-352
C.C.=352mm
L=425mm

A2153DBB-224
C.C.=224mm
L=269mm

A2153DBB-160
C.C.=160mm
L=193mm



Hairline bright silver A2153BNB



Rustic iron A2153DNB

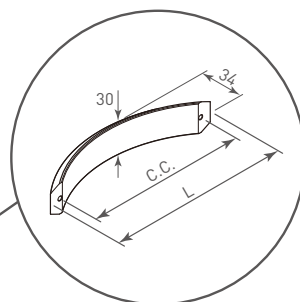


Rustic brass A2153DBB

Aluminium ST-Bow Handle

A2121

A2121



Rustic brass (aluminium anodized) 青古銅拉絲

A2121DBB



A2121DBB-480
C.C.=480mm
L=547mm

A2121DBB-352
C.C.=352mm
L=402mm

A2121DBB-224
C.C.=224mm
L=255mm

A2121DBB-160
C.C.=160mm
L=182mm

Hairline inox (aluminium anodized) 仿不銹鋼拉絲

A2121ABN



A2121ABN-480
C.C.=480mm
L=547mm

A2121ABN-352
C.C.=352mm
L=402mm

A2121ABN-224
C.C.=224mm
L=255mm

A2121ABN-160
C.C.=160mm
L=182mm



Hairline bright silver A2121BNB



Rustic brass A2121DBB

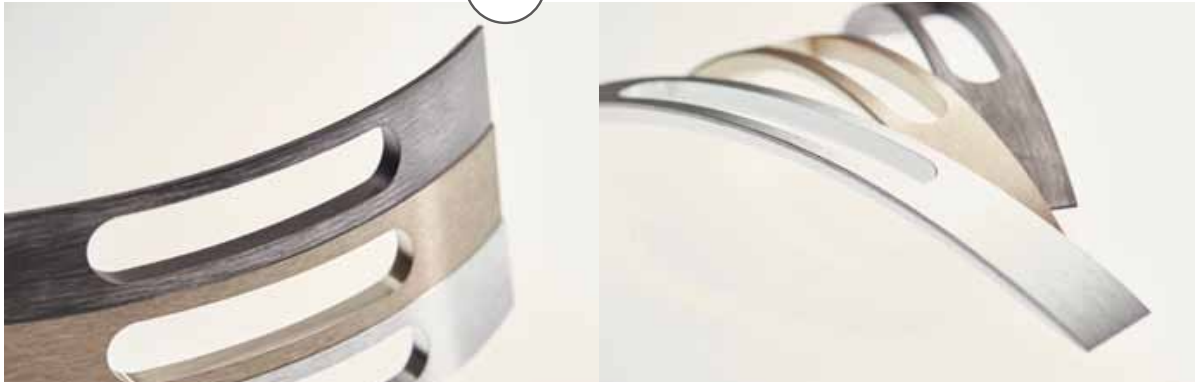
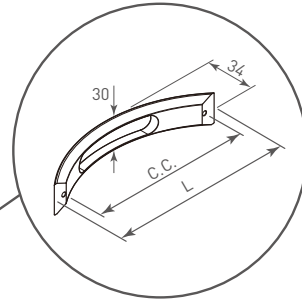


Hairline inox A2121ABN

Aluminium HL-Bow Handle

A2122

A2122



Rustic brass (aluminium anodized) 青古銅拉絲

A2122DBB



A2122DBB-224
C.C.=224mm
L=255mm

A2122DBB-160
C.C.=160mm
L=182mm

Rustic iron (aluminium anodized) 灰古銀拉絲

A2122DNB



A2122DNB-224
C.C.=224mm
L=255mm

A2122DNB-160
C.C.=160mm
L=182mm



Hairline inox A2122ABN



Hairline bright silver A2122BNB



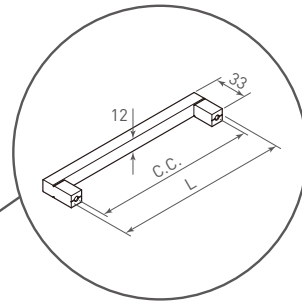
Rustic iron A2122DNB



Rustic brass A2122DBB

Aluminium Square-U Handle

A3212



A3212



Rustic iron (aluminium anodized) 灰古銀拉絲

A3212DNB



A3212DNB-480
C.C.=480mm
L=492mm

A3212DNB-352
C.C.=352mm
L=364mm

A3212DNB-224
C.C.=224mm
L=236mm

A3212DNB-160
C.C.=160mm
L=172mm

Rustic brass (aluminium anodized) 青古銅拉絲

A3212DBB



A3212DBB-480
C.C.=480mm
L=492mm

A3212DBB-352
C.C.=352mm
L=364mm

A3212DBB-224
C.C.=224mm
L=236mm

A3212DBB-160
C.C.=160mm
L=172mm



Rustic brass A3212DBB



Rustic iron A3212DNB

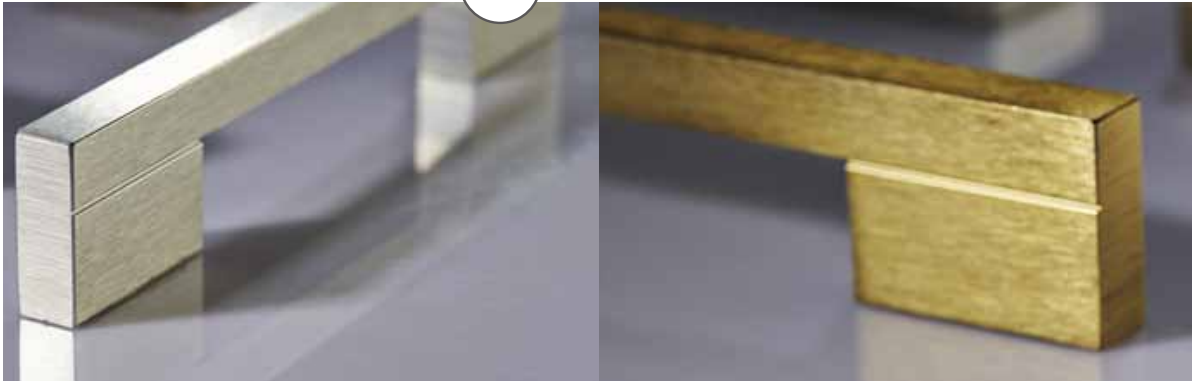
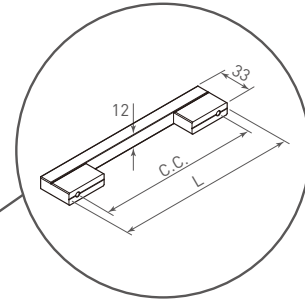


Hairline bright silver A3212BNB

Aluminium Square-E Handle

A3222

A3222



Hairline inox (aluminium anodized) 仿不銹鋼拉絲

A3222ABN



A3222ABN-480
C.C.=480mm
L=500mm

A3222ABN-352
C.C.=352mm
L=372mm

A3222ABN-224
C.C.=224mm
L=244mm

A3222ABN-160
C.C.=160mm
L=180mm

Hairline bright silver (aluminium anodized) 亮銀拉絲

A3222BNB



A3222BNB-480
C.C.=480mm
L=500mm

A3222BNB-352
C.C.=352mm
L=372mm

A3222BNB-224
C.C.=224mm
L=244mm

A3222BNB-160
C.C.=160mm
L=180mm



Hairline bright silver A3222BNB



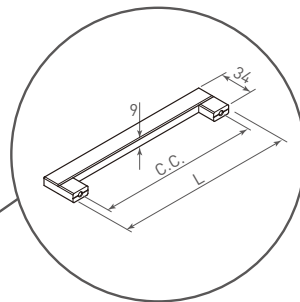
Hairline inox A3222ABN



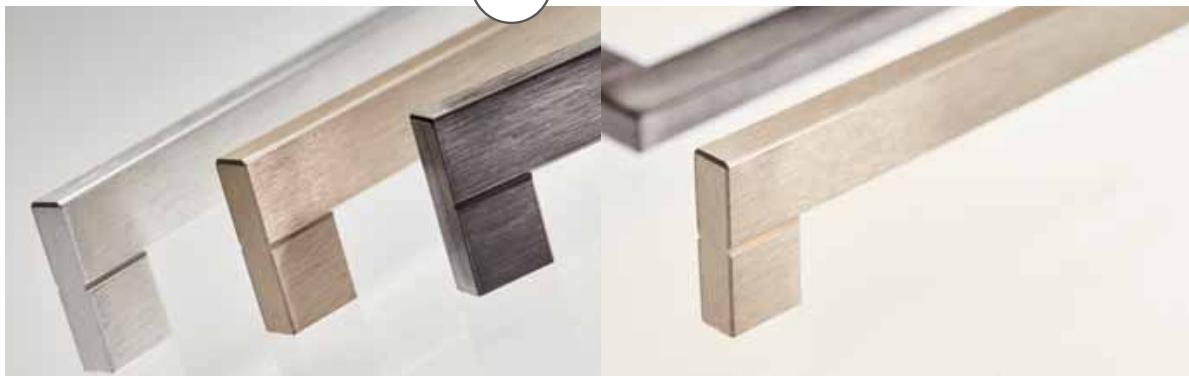
Rustic brass A2163DBB

Aluminium Flat-U Handle

A3226



A3226



Hairline gold (aluminium anodized) 鈦金拉絲

A3226ABB



A3226ABB-480
C.C.=480mm
L=497mm

A3226ABB-352
C.C.=352mm
L=369mm

A3226ABB-224
C.C.=224mm
L=241mm

A3226ABB-160
C.C.=160mm
L=177mm

Hairline bright silver (aluminium anodized) 亮銀拉絲

A3226BNB



A3226BNB-480
C.C.=480mm
L=497mm

A3226BNB-352
C.C.=352mm
L=369mm

A3226BNB-224
C.C.=224mm
L=241mm

A3226BNB-160
C.C.=160mm
L=177mm



Hairline gold A3226ABB



Rustic iron A3226DNB



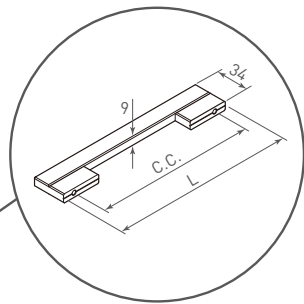
Hairline inox A3226ABN



Hairline bright silver A3226BNB

Aluminium Flat-E Handle

A3221



A3221



Rustic brass (aluminium anodized) 青古銅拉絲

A3221DBB



A3221DBB-480
C.C.=480mm
L=500mm

A3221DBB-352
C.C.=352mm
L=372mm

A3221DBB-224
C.C.=224mm
L=244mm

A3221DBB-160
C.C.=160mm
L=180mm

Hairline inox (aluminium anodized) 仿不銹鋼拉絲

A3221ABN



A3221ABN-480
C.C.=480mm
L=500mm

A3221ABN-352
C.C.=352mm
L=372mm

A3221ABN-224
C.C.=224mm
L=244mm

A3221ABN-160
C.C.=160mm
L=180mm



Hairline bright silver A3221BNB



Rustic brass A3221DBB

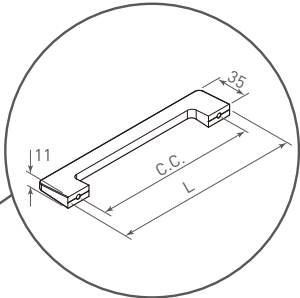


Hairline inox A3221ABN

Aluminium Peak-F Handle

A3181

A3181



Hairline inox (aluminium anodized) 仿不銹鋼拉絲

A3181ABN



A3181ABN-352
C.C.=352mm
L=376mm

A3181ABN-224
C.C.=224mm
L=248mm

A3181ABN-160
C.C.=160mm
L=184mm

Rustic brass (aluminium anodized) 青古銅拉絲

A3181DBB

Rustic iron (aluminium anodized) 灰古銀拉絲

A3181DNB



A3181DBB-352
C.C.=352mm
L=376mm

A3181DBB-224
C.C.=224mm
L=248mm

A3181DNB-352
C.C.=352mm
L=376mm

A3181DNB-160
C.C.=160mm
L=184mm



Rustic brass A3181DBB



Hairline inox A3181ABN



Rustic iron A3181DNB

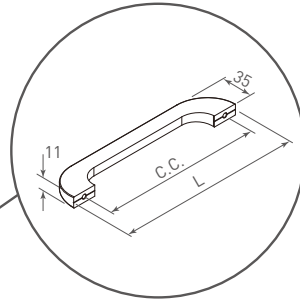


Hairline bright silver A3181BNB

Aluminium Peak-R Handle

A3183

A3183



Hairline bright silver (aluminium anodized) 亮銀拉絲

A3183BNB



A3183BNB-352
C.C.=352mm
L=376mm

A3183BNB-224
C.C.=224mm
L=248mm

A3183BNB-160
C.C.=160mm
L=184mm

Rustic brass (aluminium anodized) 青古銅拉絲

A3183DBB

Rustic iron (aluminium anodized) 灰古銀拉絲

A3183DNB



A3183DBB-352
C.C.=352mm
L=376mm

A3183DBB-160
C.C.=160mm
L=184mm

A3183DNB-224
C.C.=224mm
L=248mm

A3183DNB-160
C.C.=160mm
L=184mm



Hairline inox A3183ABN



Rustic brass A3183DBB



Rustic iron A3183DNB

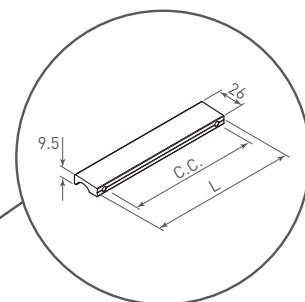


Hairline bright silver A3183BNB

Aluminium Grip-I Handle

A5141

A5141



Rustic iron (aluminium anodized) 灰古銀拉絲

A5141DNB



A5141DNB-480
C.C.=480mm
L=496mm

A5141DNB-288
C.C.=288mm
L=304mm

A5141DNB-192
C.C.=192mm
L=208mm

A5141DNB-128
C.C.=128mm
L=144mm

Rustic brass (aluminium anodized) 青古銅拉絲

A5141DBB



A5141DBB-480
C.C.=480mm
L=496mm

A5141DBB-288
C.C.=288mm
L=304mm

A5141DBB-192
C.C.=192mm
L=208mm

A5141DBB-128
C.C.=128mm
L=144mm



Rustic brass A5141DBB



Rustic iron A5141DNB

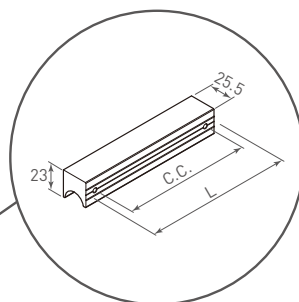


Hairline bright silver A5141BNB

Aluminium Grip-Cubic Handle

A5150

A5150



Hairline inox (aluminium anodized) 仿不銹鋼拉絲

A5150ABN



A5150ABN-288
C.C.=288mm
L=308mm

A5150ABN-160
C.C.=160mm
L=180mm

A5150ABN-128
C.C.=128mm
L=148mm

A5150ABN-96
C.C.=96mm
L=116mm

Rustic iron (aluminium anodized) 灰古銀拉絲

A5150DNB



A5150DNB-288
C.C.=288mm
L=308mm

A5150DNB-160
C.C.=160mm
L=180mm

A5150DNB-128
C.C.=128mm
L=148mm

A5150DNB-96
C.C.=96mm
L=116mm



Hairline inox A5150ABN



Rustic brass A5150DBB

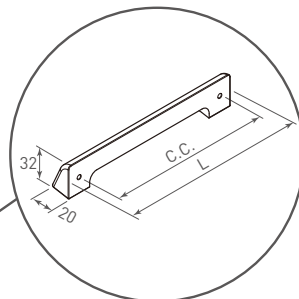


Rustic iron A5150DNB

Aluminium Cover Handle

A3551

A3551



Hairline gold (aluminium anodized) 鈦金拉絲

A3551ABB



A3551ABB-352
C.C.=352mm
L=376mm

A3551ABB-224
C.C.=224mm
L=248mm

A3551ABB-160
C.C.=160mm
L=184mm

A3551ABB-96
C.C.=96mm
L=120mm

Hairline bright silver (aluminium anodized) 亮銀拉絲

A3551BNB



A3551BNB-352
C.C.=352mm
L=376mm

A3551BNB-224
C.C.=224mm
L=248mm

A3551BNB-160
C.C.=160mm
L=184mm

A3551BNB-96
C.C.=96mm
L=120mm



Hairline bright silver A3551BNB



Hairline inox A3551ABN

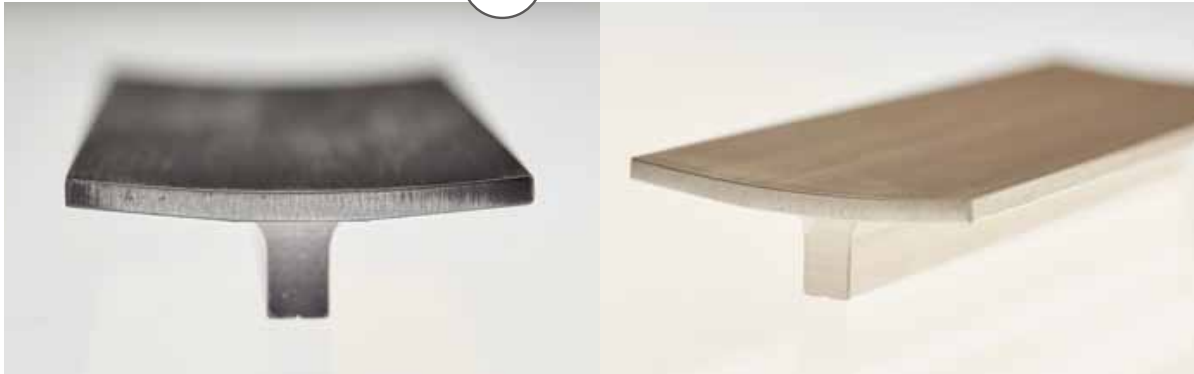
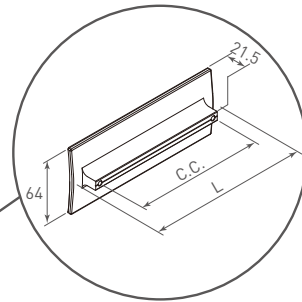


Hairline gold A3551ABB

Aluminium PAD 64 Handle

A5201

A5201



Rustic brass (aluminium anodized) 青古銅拉絲

A5201DBB



A5201DBB-128
C.C.=128mm
L=160mm

A5201DBB-64
C.C.=64mm
L=96mm

A5201DBB-32
C.C.=32mm
L=64mm

Rustic iron (aluminium anodized) 灰古銀拉絲

A5201DNB



A5201DNB-128
C.C.=128mm
L=160mm

A5201DNB-64
C.C.=64mm
L=96mm

A5201DNB-32
C.C.=32mm
L=64mm



Rustic brass A5201DBB



Hairline inox A5201ABN



Rustic iron A5201DNB

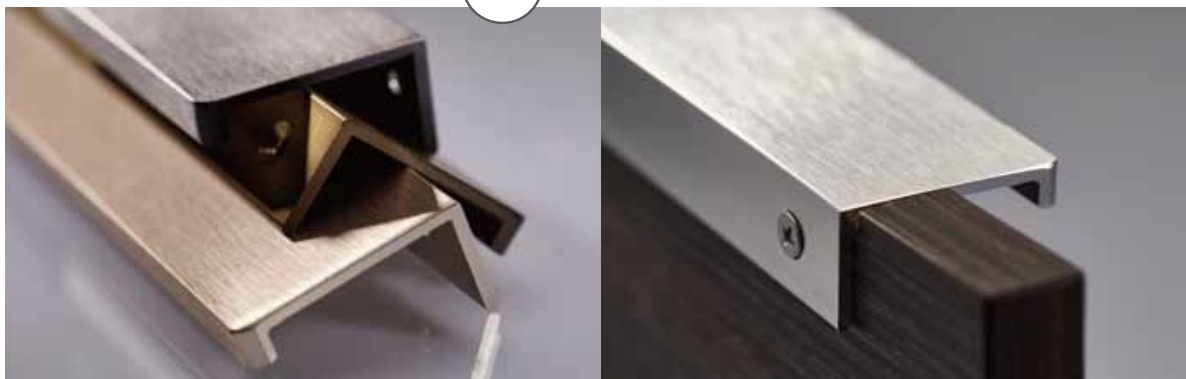
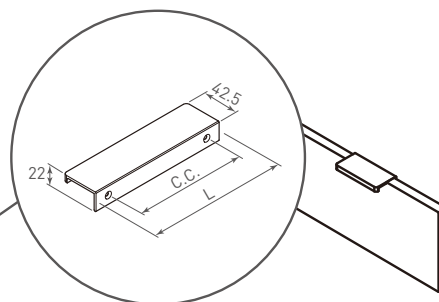


Hairline bright silver A5201BNB

Aluminium Edge Handle

A8108 back mounted, with wood screws

A8108



Hairline inox (aluminium anodized) 仿不銹鋼拉絲

A8108ABN



A8108ABN-320
C.C.=288mm
L=320mm

A8108ABN-160
C.C.=128mm
L=160mm

A8108ABN-84
C.C.=64mm
L=84mm

Rustic iron (aluminium anodized) 灰古銀拉絲

A8108DNB



A8108DNB-320
C.C.=288mm
L=320mm

A8108DNB-160
C.C.=128mm
L=160mm

A8108DNB-84
C.C.=64mm
L=84mm



Hairline inox A8108ABN



Rustic brass A8108DBB



Hairline bright silver A8108BNB



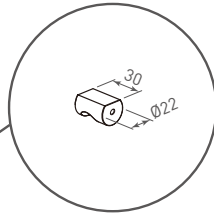
Rustic iron A8108DNB

Aluminium Small Handle & Knob

Aluminium Di-S Knob

A4422

A4422



A4422DNB

A4422BNB

A4422DBB

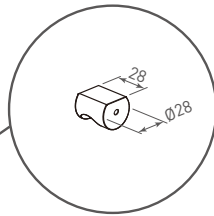
A4422ABN

A4422ABB

Aluminium Di-L Knob

A4428

A4428



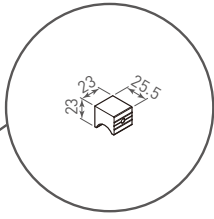
A4428BLS

A4428WTS

A4428TRS

Aluminium Cubic Knob
A5150

A5150



A5150ABN

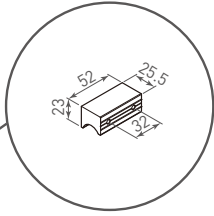
A5150DBB

A5150BNB

A5150DNB

Aluminium Cubic Handle
A5150-32

A5150-32



A5150ABN-32

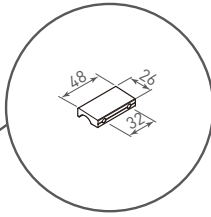
A5150DBB-32

A5150BNB-32

A5150DNB-32

Aluminium Grip-I Handle
A5141-32

A5141-32



A5141BNB-32

A5141DBB-32

A5141ABN-32

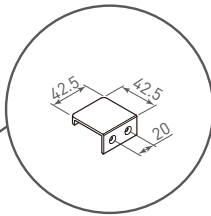
A5141DNB-32

A5141ABB-32

Aluminium Edge Handle

• Back mounted, with wood screws

A8108-42



A8108BNB-42

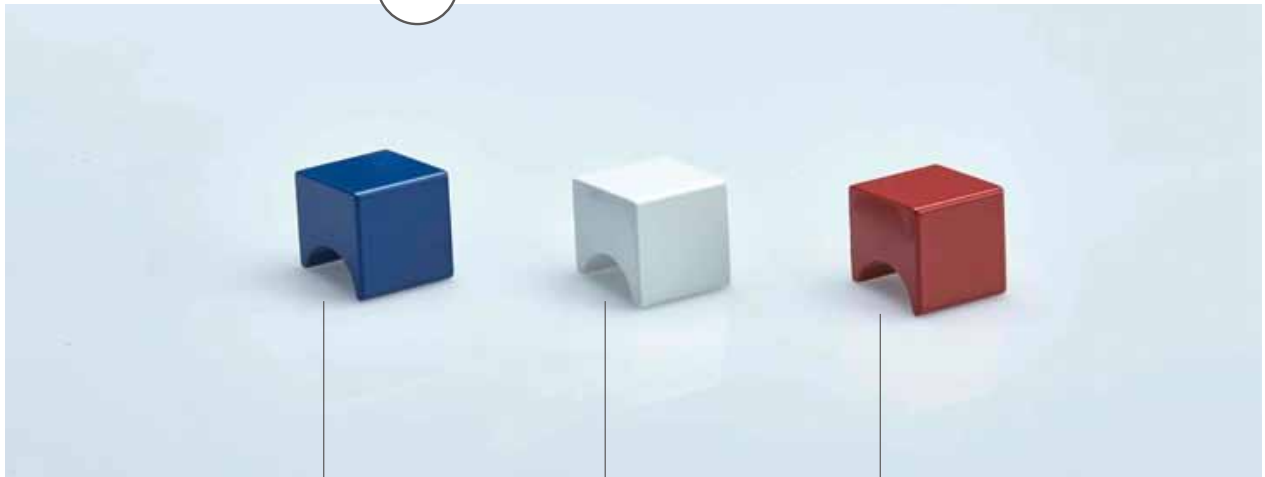
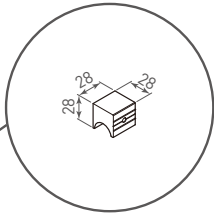
A8108DBB-42

A8108ABN-42

A8108DNB-42

Aluminium Cubic Knob
A5151

A5151



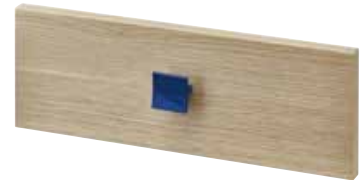
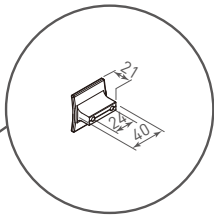
A5151BLS

A5151WTS

A5151TRS

Aluminium PAD 40 Handle
A5161-24

A5161-24



A5161BLS-24

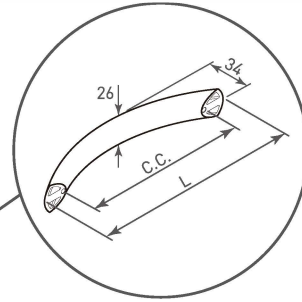
A5161WTS-24

A5161TRS-24

Aluminium Arch 26 Handle

A2151

A2151



Glazed fiber webbing 編織紋

A2151FWS



A2151FWS-480
C.C.=480mm
L=595mm

A2151FWS-352
C.C.=352mm
L=438mm

A2151FWS-224
C.C.=224mm
L=280mm

A2151FWS-160
C.C.=160mm
L=203mm

Glazed tomato red 蕃茄紅

A2151TRS



A2151TRS-480
C.C.=480mm
L=595mm

A2151TRS-352
C.C.=352mm
L=438mm

A2151TRS-224
C.C.=224mm
L=280mm

A2151TRS-160
C.C.=160mm
L=203mm



Glazed fiber webbing A2151FWS



Glazed tomato red A2151TRS



Glazed pure white A2151WTS

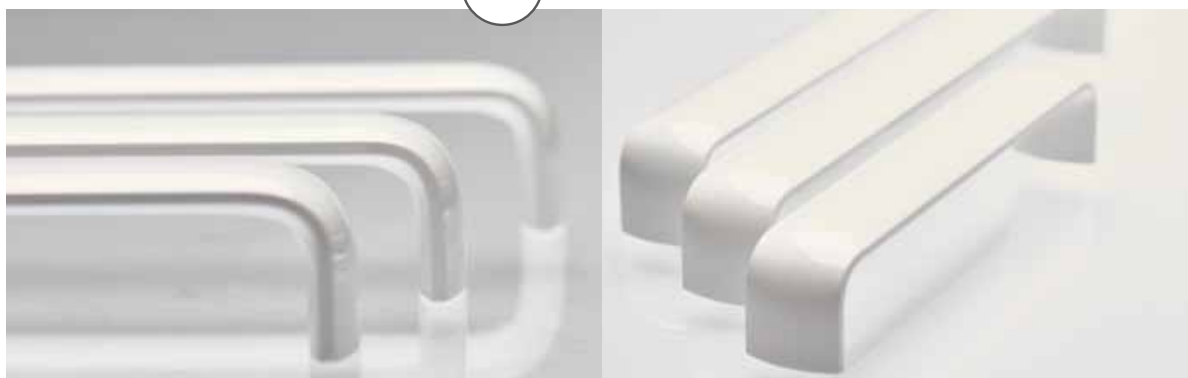
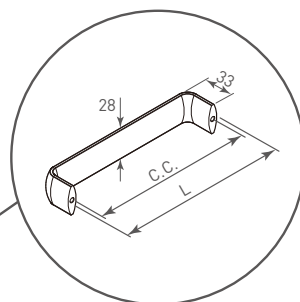


Glazed gentian blue A2151BLS

Aluminium Soft Handle

A2162

A2162



Glazed gentian blue 山花藍

A2162BLS



A2162BLS-480
C.C.=480mm
L=489mm

A2162BLS-352
C.C.=352mm
L=361mm

A2162BLS-224
C.C.=224mm
L=233mm

A2162BLS-160
C.C.=160mm
L=169mm

Glazed pure black 亮瓷黑

A2162NKS



A2162NKS-480
C.C.=480mm
L=489mm

A2162NKS-352
C.C.=352mm
L=361mm

A2162NKS-224
C.C.=224mm
L=233mm

A2162NKS-160
C.C.=160mm
L=169mm



Glazed gentian blue A2162BLS



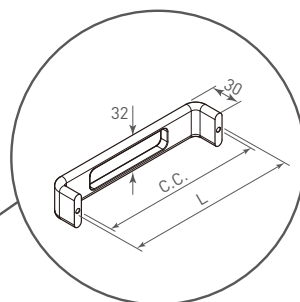
Glazed pure white A2162WTS



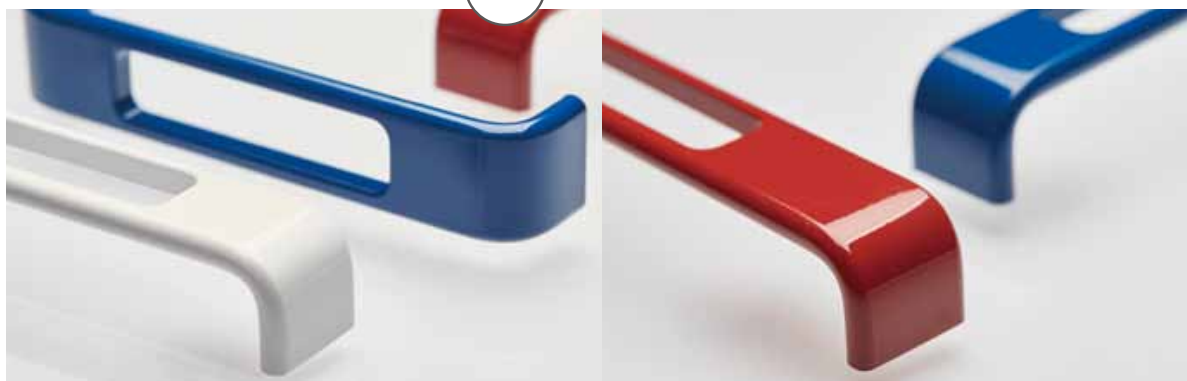
Glazed pure black A2162NKS

Aluminium Framed Handle

A2172



A2172



Glazed pure white 亮瓷白

A2172WTS



A2172WTS-480
C.C.=480mm
L=488mm

A2172WTS-352
C.C.=352mm
L=360mm

A2172WTS-224
C.C.=224mm
L=232mm

A2172WTS-160
C.C.=160mm
L=168mm

Glazed tomato red 蕃茄紅

A2172TRS



A2172TRS-480
C.C.=480mm
L=488mm

A2172TRS-352
C.C.=352mm
L=360mm

A2172TRS-224
C.C.=224mm
L=232mm

A2172TRS-160
C.C.=160mm
L=168mm



Glazed tomato red A2172TRS



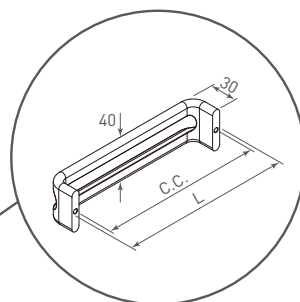
Glazed pure white A2172WTS



Glazed gentian blue A2172BLS

Aluminium Twin-Line Handle

A2161



A2161



Glazed pure white 亮瓷白 A2161WTS

Glazed pure black 亮瓷黑 A2161NKS



A2161NKS-160
C.C.=160mm
L=168mm

A2161NKS-96
C.C.=96mm
L=104mm

A2161WTS-160
C.C.=160mm
L=168mm

A2161WTS-96
C.C.=96mm
L=104mm

Glazed gentian blue 山花藍

A2161BLS

Glazed tomato red 蕃茄紅

A2161TRS



A2161BLS-160
C.C.=160mm
L=168mm

A2161BLS-96
C.C.=96mm
L=104mm

A2161TRS-160
C.C.=160mm
L=168mm

A2161TRS-96
C.C.=96mm
L=104mm



Glazed pure white A2161WTS



Glazed pure black A2161NKS



Glazed gentian blue A2161BLS

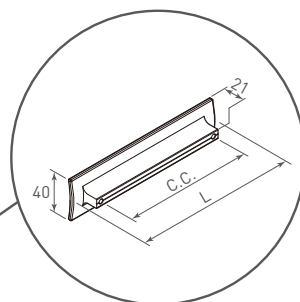


Glazed tomato red A2161TRS

Aluminium PAD 40 Handle

A5161

A5161



Glazed gentian blue 山花藍

A5161BLS



A5161BLS-448
C.C.=448mm
L=482mm

A5161BLS-288
C.C.=288mm
L=322mm

A5161BLS-192
C.C.=192mm
L=226mm

A5161BLS-128
C.C.=128mm
L=162mm

Glazed tomato red 蕃茄紅

A5161TRS



A5161TRS-448
C.C.=448mm
L=482mm

A5161TRS-288
C.C.=288mm
L=322mm

A5161TRS-192
C.C.=192mm
L=226mm

A5161TRS-128
C.C.=128mm
L=162mm



Glazed gentian blue A5161BLS



Glazed pure white A5161WTS

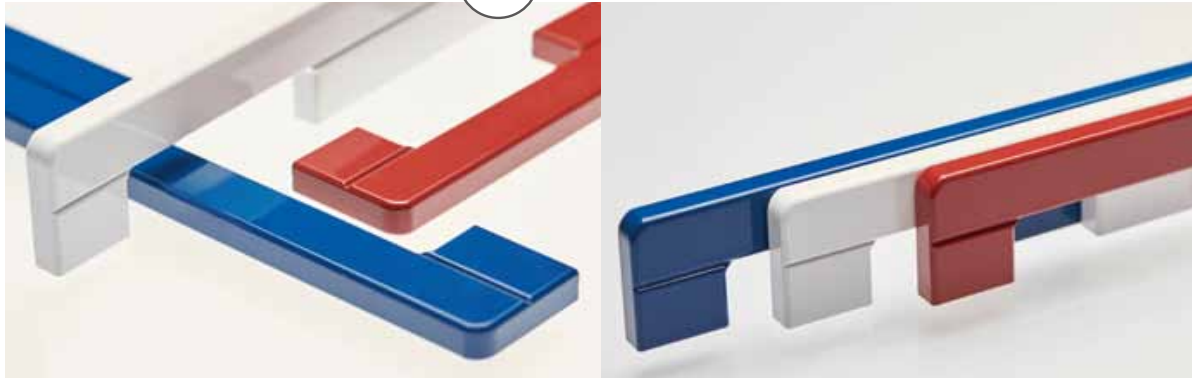
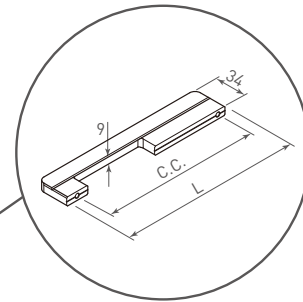


Glazed tomato red A5161TRS

Aluminium Flat-G Handle

A3223

A3223



Glazed pure white 亮瓷白

A3223WTS



A3223WTS-480
C.C.=480mm
L=500mm

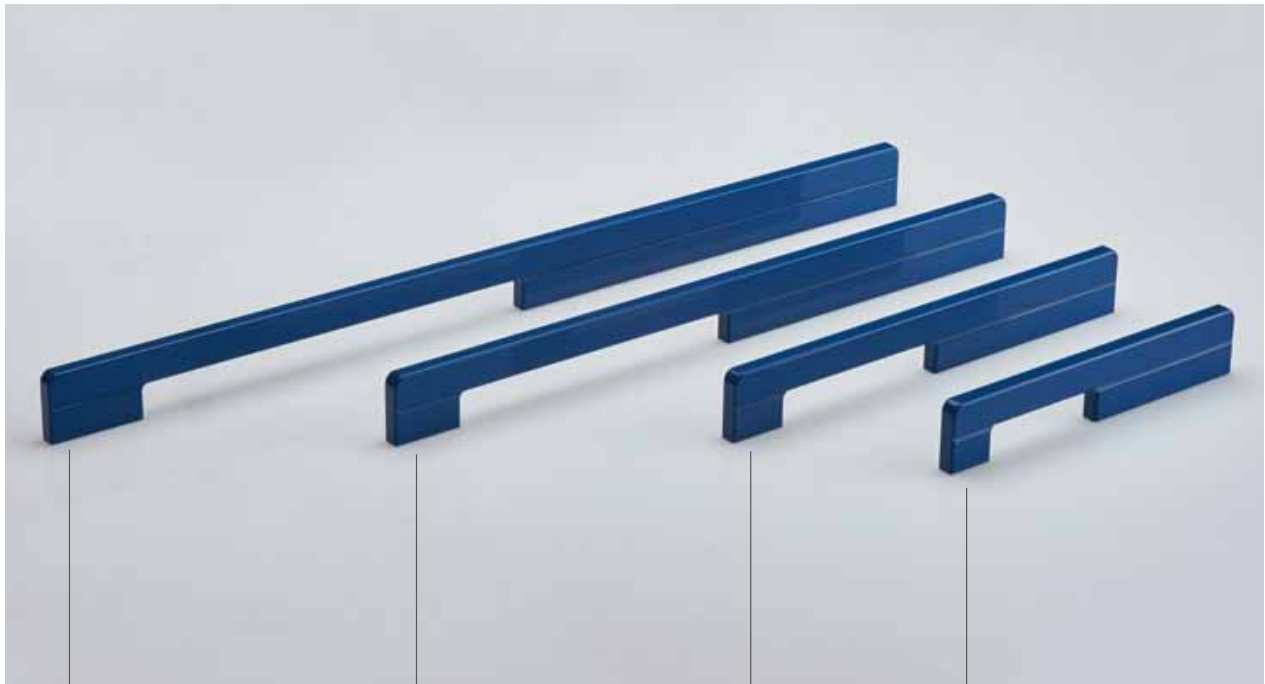
A3223WTS-352
C.C.=352mm
L=372mm

A3223WTS-224
C.C.=224mm
L=244mm

A3223WTS-160
C.C.=160mm
L=180mm

Glazed gentian blue 山花藍

A3223BLS



A3223BLS-480
C.C.=480mm
L=500mm

A3223BLS-352
C.C.=352mm
L=372mm

A3223BLS-224
C.C.=224mm
L=244mm

A3223BLS-160
C.C.=160mm
L=180mm



Glazed gentian blue A3223BLS



Glazed tomato red A3223TRS

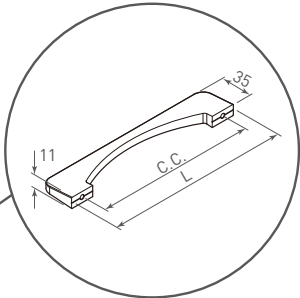


Glazed pure white A3223WTS

Aluminium Peak-C Handle

A3182

A3182



A3182TRS / A3182BLS / A3182NKS



A3182TRS-224
C.C.=224mm
L=248mm

A3182BLS-224
C.C.=224mm
L=248mm

A3182NKS-224
C.C.=224mm
L=248mm

Glazed pure white 亮瓷白

A3182WTS

Glazed dark bronzed 深茶色

A3182DB



A3182WTS-352
C.C.=352mm
L=376mm

A3182WTS-160
C.C.=160mm
L=184mm

A3182DB-352
C.C.=352mm
L=376mm

A3182DB-160
C.C.=160mm
L=184mm



Glazed pure white A3182WTS



Glazed gentian blue A3182BLS



Glazed dark bronzed A3182DB

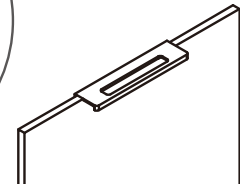
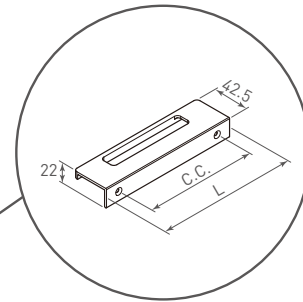


Glazed tomato red A3182TRS

Aluminium Edge-Frame Handle

A8107 back mounted, with wood screws

A8107

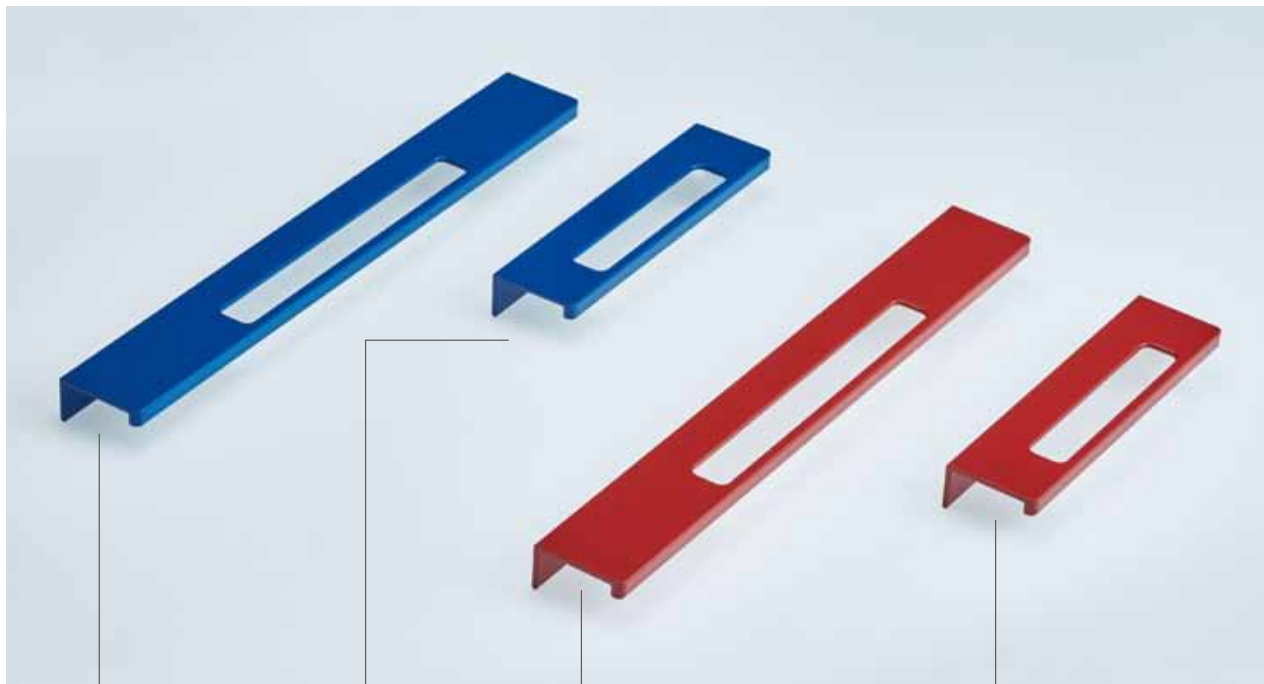


Glazed gentian blue 山花藍

A8107BLS

Glazed tomato red 蕃茄紅

A8107TRS



A8107BLS-320
C.C.=288mm
L=320mm

A8107BLS-160
C.C.=128mm
L=160mm

A8107TRS-320
C.C.=288mm
L=320mm

A8107TRS-160
C.C.=128mm
L=160mm

Glazed pure white 亮瓷白

A8107WTS

Matt black 纯黑

A8107NKM



A8107NKM-320
C.C.=288mm
L=320mm

A8107NKM-160
C.C.=128mm
L=160mm

A8107WTS-320
C.C.=288mm
L=320mm

A8107WTS-160
C.C.=128mm
L=160mm



Glazed gentian blue A8107BLS



Glazed tomato red A8107TRS



Glazed pure white A8107WTS



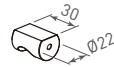
Matt black A8107NKM

Macaron Coating Handle & Knob

Aluminium Di-S Knob 馬卡龍色

A4422

A4422



A4422WTM
matt white

A4422MYE
macaron yellow

A4422MOR
macaron orange

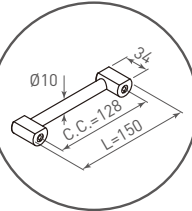
A4422MGR
macaron green

A4422MBL
macaron blue

Aluminium Di Handle 馬卡龍色

A1238-128 128mm C.C.

A1238-128



A1238WTM-128
matt white

A1238MYE-128
macaron yellow

A1238MOR-128
macaron orange

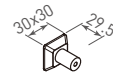
A1238MGR-128
macaron green

A1238MBL-128
macaron blue

Aluminium Bar-SQ Knob 馬卡龍色

A1122

A1122



A1122MYE
macaron yellow

A1122MOR
macaron orange

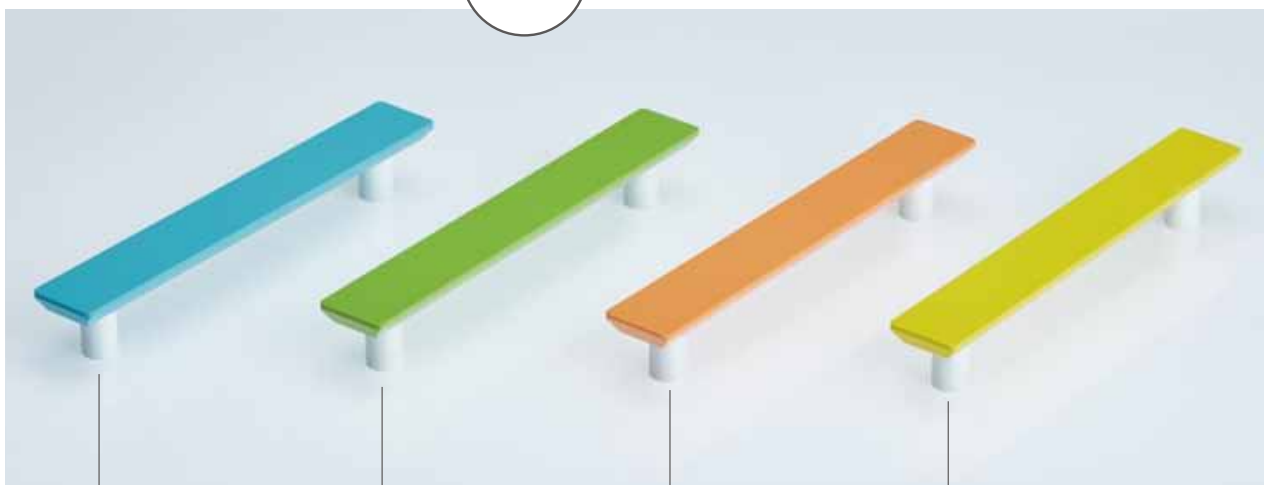
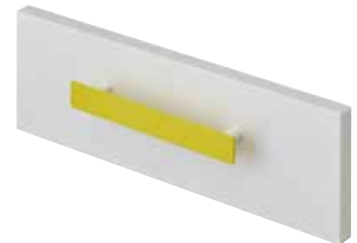
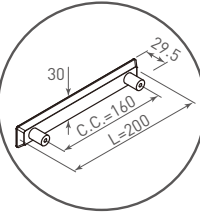
A1122MGR
macaron green

A1122MBL
macaron blue

Aluminium Bar-SQ Handle 馬卡龍色

A1122-160 160mm C.C.

A1122-160



A1122MBL-160
macaron blue

A1122MGR-160
macaron green

A1122MOR-160
macaron orange

A1122MYE-160
macaron yellow

Aluminium Cubic Knob 馬卡龍色

A5151

A5151



A5151WTM
matt white

A5151MYE
macaron yellow

A5151MOR
macaron orange

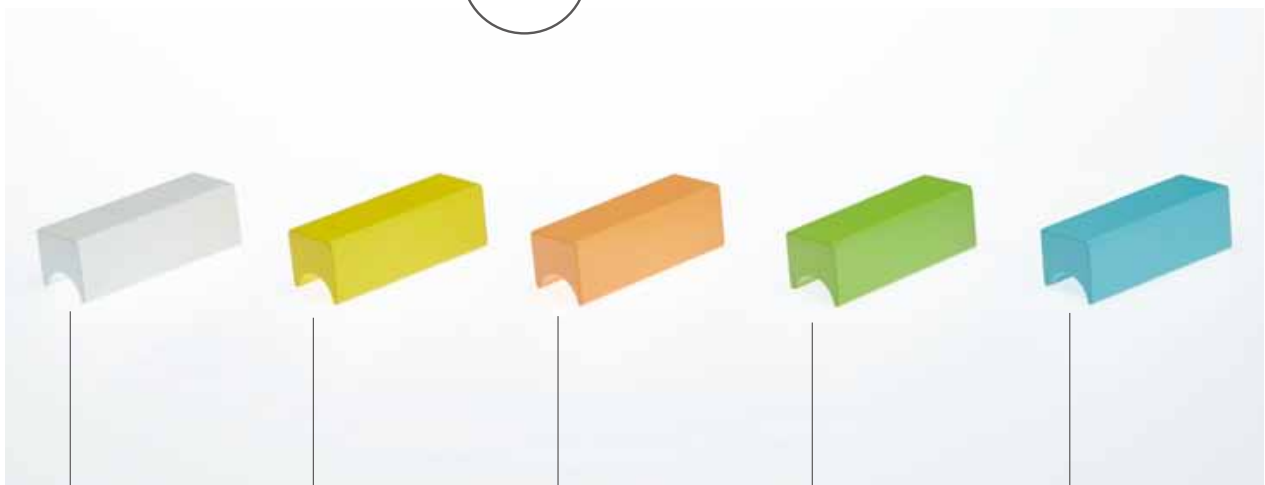
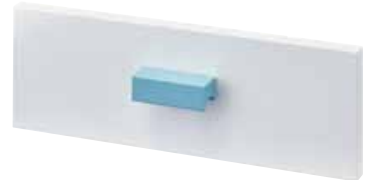
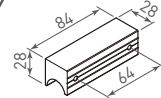
A5151MGR
macaron green

A5151MBL
macaron blue

Aluminium Cubic Handle 馬卡龍色

A5151-64 64mm C.C.

A5151-64



A5151WTM-64
matt white

A5151MYE-64
macaron yellow

A5151MOR-64
macaron orange

A5151MGR-64
macaron green

A5151MBL-64
macaron blue

Antimicrobial Bar Knob & Handle

- Surface with Protect  antimicrobial high pressure laminate by Formica® Group, suitable for hospital, cafe and kindergarten etc
- 潔菌板拉手, 表面可減少 99.5% 之微生物 - 包括細菌, 真菌及黴菌, 適合醫療診所, 幼兒園, 餐飲等公共場所

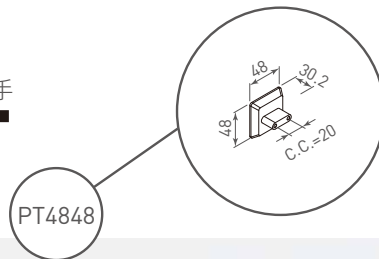
• Formica® high pressure laminate, 10mm thickness

antimicrobial surface (two sides)



Antimicrobial Bar 48 Knob 潔菌板拉手

PT4848 20mm C.C.



PT4848WTA
(white face)

PT4848BGA
(beige face)

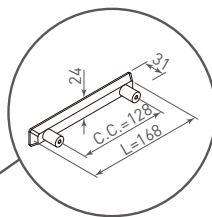
PT4848GRA
(gray face)

Antimicrobial Bar 24 Handle

Antimicrobial Bar 24 Handle 潔菌板拉手

PT2400-128 128mm C.C.

PT2400-128



PT2400WTA-128
(white face)

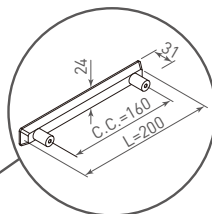
PT2400GRA-128
(gray face)

PT2400BGA-128
(beige face)

Antimicrobial Bar 24 Handle 潔菌板拉手

PT2400-160 160mm C.C.

PT2400-160



PT2400WTA-160
(white face)

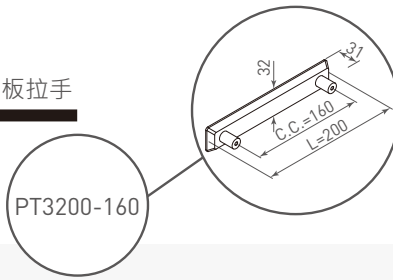
PT2400GRA-160
(gray face)

PT2400BGA-160
(beige face)

Antimicrobial Bar 32 Handle

Antimicrobial Bar 32 Handle 潔菌板拉手

PT3200-160 160mm C.C.



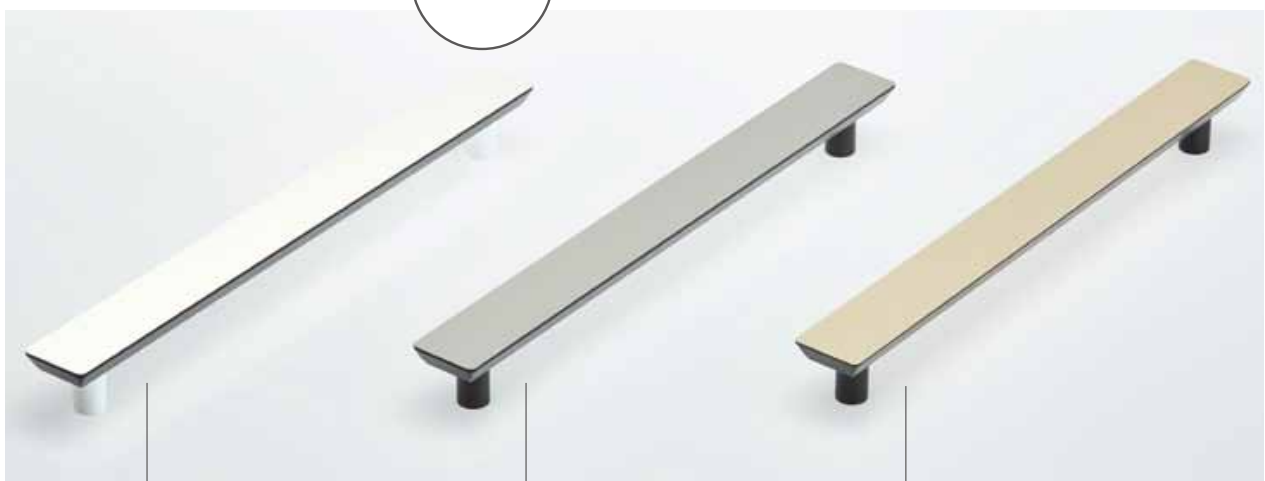
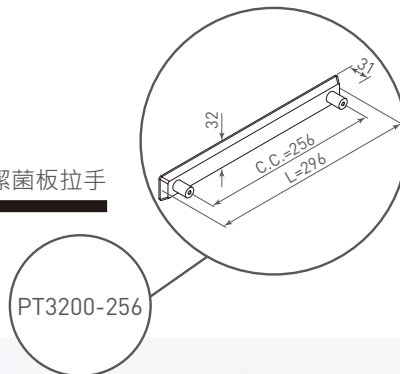
PT3200WTA-160
(white face)

PT3200GRA-160
(gray face)

PT3200BGA-160
(beige face)

Antimicrobial Bar 32 Handle 潔菌板拉手

PT3200-256 256mm C.C.



PT3200WTA-256
(white face)

PT3200GRA-256
(gray face)

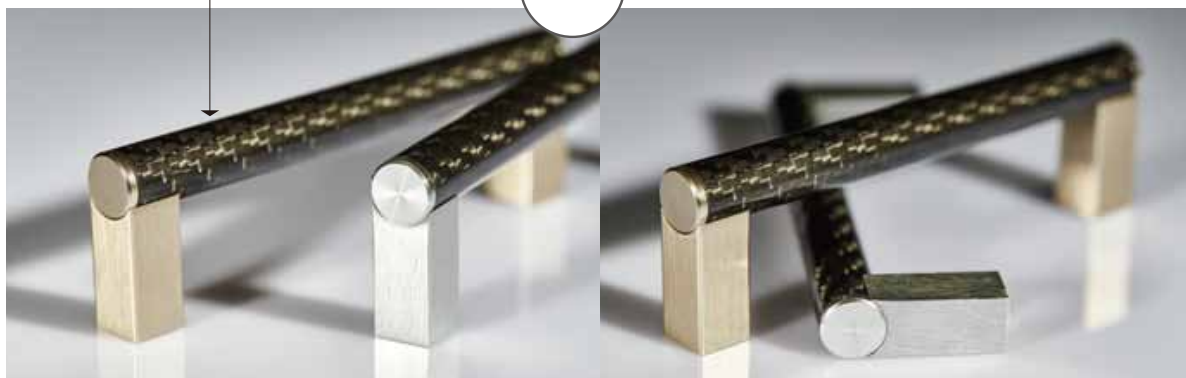
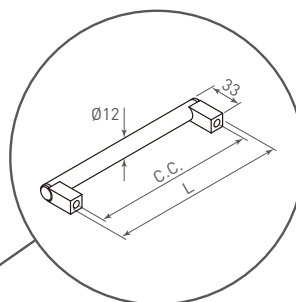
PT3200BGA-256
(beige face)

Carbon Fiber Webbing Bar Handle

RFW122

carbon fiber webbing tube

RFW122



Carbon fiber webbing tube / Hairline inox ends 碳纖管把手 / 仿不銹鋼拉絲

RFW122ABN



RFW122ABN-352
C.C.=352mm
L=363.4mm

RFW122ABN-224
C.C.=224mm
L=235.4mm

RFW122ABN-160
C.C.=160mm
L=171.4mm

RFW122ABN-128
C.C.=128mm
L=139.4mm

Carbon fiber webbing tube / Hairline bright silver ends 碳纖管把手 / 亮銀拉絲

RFW122BNB



RFW122BNB-352
C.C.=352mm
L=363.4mm

RFW122BNB-224
C.C.=224mm
L=235.4mm

RFW122BNB-160
C.C.=160mm
L=171.4mm

RFW122BNB-128
C.C.=128mm
L=139.4mm



Hairline inox ends RFW122ABN



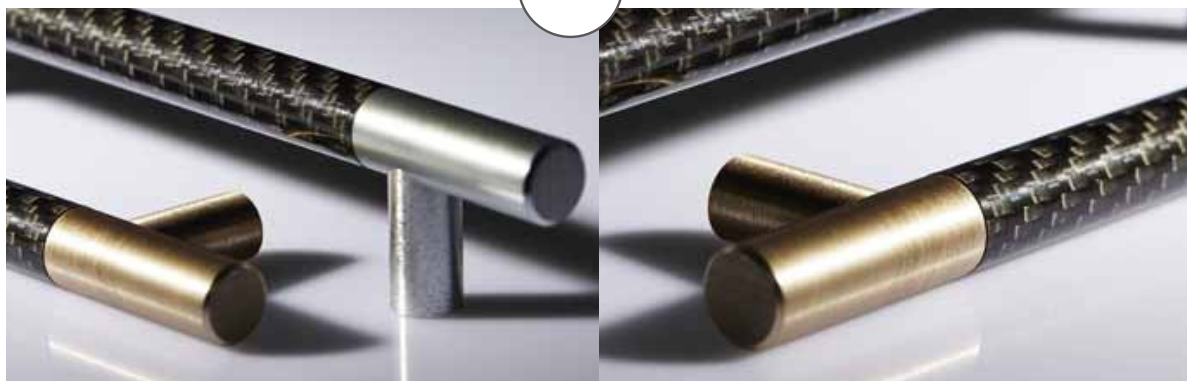
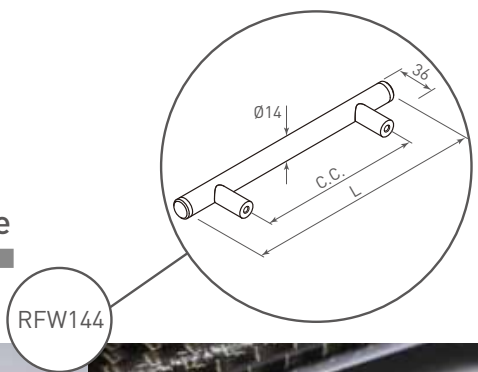
Hairline bright silver ends RFW122BNB



Hairline bright silver ends RFW122BNB

Carbon Fiber Webbing Bar Handle

RFW144



Carbon fiber webbing tube / Hairline inox ends 碳纖管把手 / 仿不銹鋼拉絲

RFW144ABN



RFW144ABN-352
C.C.=352mm
L=412mm

RFW144ABN-224
C.C.=224mm
L=288mm

RFW144ABN-160
C.C.=160mm
L=220mm

Carbon fiber webbing tube / Hairline bright silver ends 碳纖管把手 / 亮銀拉絲

RFW144BNB



RFW144BNB-352
C.C.=352mm
L=412mm

RFW144BNB-224
C.C.=224mm
L=288mm

RFW144BNB-160
C.C.=160mm
L=220mm



Hairline inox ends RFW144ABN



Hairline bright silver ends RFW144BNB



Hairline inox ends RFW144ABN

Алматы (7273)495-231
Ангарск (3955)60-70-56
Архангельск (8182)63-90-72
Астрахань (8512)99-46-04
Барнаул (3852)73-04-60
Белгород (4722)40-23-64
Благовещенск (4162)22-76-07
Брянск (4832)59-03-52
Владивосток (423)249-28-31
Владикавказ (8672)28-90-48
Владимир (4922)49-43-18
Волгоград (844)278-03-48
Вологда (8172)26-41-59
Воронеж (473)204-51-73
Екатеринбург (343)384-55-89

Иваново (4932)77-34-06
Ижевск (3412)26-03-58
Иркутск (395)279-98-46
Казань (843)206-01-48
Калининград (4012)72-03-81
Калуга (4842)92-23-67
Кемерово (3842)65-04-62
Киров (8332)68-02-04
Коломна (4966)23-41-49
Кострома (4942)77-07-48
Краснодар (861)203-40-90
Красноярск (391)204-63-61
Курск (4712)77-13-04
Курган (3522)50-90-47
Липецк (4742)52-20-81

Магнитогорск (3519)55-03-13
Москва (495)268-04-70
Мурманск (8152)59-64-93
Набережные Челны (8552)20-53-41
Нижний Новгород (831)429-08-12
Новокузнецк (3843)20-46-81
Ноябрьск (3496)41-32-12
Новосибирск (383)227-86-73
Омск (3812)21-46-40
Орел (4862)44-53-42
Оренбург (3532)37-68-04
Пенза (8412)22-31-16
Петрозаводск (8142)55-98-37
Псков (8112)59-10-37

Пермь (342)205-81-47
Ростов-на-Дону (863)308-18-15
Рязань (4912)46-61-64
Самара (846)206-03-16
Саранск (8342)22-96-24
Санкт-Петербург (812)309-46-40
Саратов (845)249-38-78
Севастополь (8692)22-31-93
Симферополь (3652)67-13-56
Смоленск (4812)29-41-54
Сочи (862)225-72-31
Ставрополь (8652)20-65-13
Сургут (3462)77-98-35
Сыктывкар (8212)25-95-17
Тамбов (4752)50-40-97

Тверь (4822)63-31-35
Тольятти (8482)63-91-07
Томск (3822)98-41-53
Тула (4872)33-79-87
Тюмень (3452)66-21-18
Ульяновск (8422)24-23-59
Улан-Удэ (3012)59-97-51
Уфа (347)229-48-12
Хабаровск (4212)92-98-04
Чебоксары (8352)28-53-07
Челябинск (351)202-03-61
Череповец (8202)49-02-64
Чита (3022)38-34-83
Якутск (4112)23-90-97
Ярославль (4852)69-52-93

Россия +7(495)268-04-70

Казахстан +7(7172)727-132

Киргизия +996(312)96-26-47

www.fourwinds.nt-rt.ru | | fse@nt-rt.ru