

Алматы (7273)495-231
Ангарск (3955)60-70-56
Архангельск (8182)63-90-72
Астрахань (8512)99-46-04
Барнаул (3852)73-04-60
Белгород (4722)40-23-64
Благовещенск (4162)22-76-07
Брянск (4832)59-03-52
Владивосток (423)249-28-31
Владикавказ (8672)28-90-48
Владимир (4922)49-43-18
Волгоград (844)278-03-48
Вологда (8172)26-41-59
Воронеж (473)204-51-73
Екатеринбург (343)384-55-89

Иваново (4932)77-34-06
Ижевск (3412)26-03-58
Иркутск (395)279-98-46
Казань (843)206-01-48
Калининград (4012)72-03-81
Калуга (4842)92-23-67
Кемерово (3842)65-04-62
Киров (8332)68-02-04
Коломна (4966)23-41-49
Кострома (4942)77-07-48
Краснодар (861)203-40-90
Красноярск (391)204-63-61
Курск (4712)77-13-04
Курган (3522)50-90-47
Липецк (4742)52-20-81

Магнитогорск (3519)55-03-13
Москва (495)268-04-70
Мурманск (8152)59-64-93
Набережные Челны (8552)20-53-41
Нижний Новгород (831)429-08-12
Новокузнецк (3843)20-46-81
Ноябрьск (3496)41-32-12
Новосибирск (383)227-86-73
Омск (3812)21-46-40
Орел (4862)44-53-42
Оренбург (3532)37-68-04
Пенза (8412)22-31-16
Петрозаводск (8142)55-98-37
Псков (8112)59-10-37

Пермь (342)205-81-47
Ростов-на-Дону (863)308-18-15
Рязань (4912)46-61-64
Самара (846)206-03-16
Саранск (8342)22-96-24
Санкт-Петербург (812)309-46-40
Саратов (845)249-38-78
Севастополь (8692)22-31-93
Симферополь (3652)67-13-56
Смоленск (4812)29-41-54
Сочи (862)225-72-31
Ставрополь (8652)20-65-13
Сургут (3462)77-98-35
Сыктывкар (8212)25-95-17
Тамбов (4752)50-40-97

Тверь (4822)63-31-35
Тольятти (8482)63-91-07
Томск (3822)98-41-53
Тула (4872)33-79-87
Тюмень (3452)66-21-18
Ульяновск (8422)24-23-59
Улан-Удэ (3012)59-97-51
Уфа (347)229-48-12
Хабаровск (4212)92-98-04
Чебоксары (8352)28-53-07
Челябинск (351)202-03-61
Череповец (8202)49-02-64
Чита (3022)38-34-83
Якутск (4112)23-90-97
Ярославль (4852)69-52-93

Россия +7(495)268-04-70

Казахстан +7(7172)727-132

Киргизия +996(312)96-26-47

www.fourwinds.nt-rt.ru | | fse@nt-rt.ru

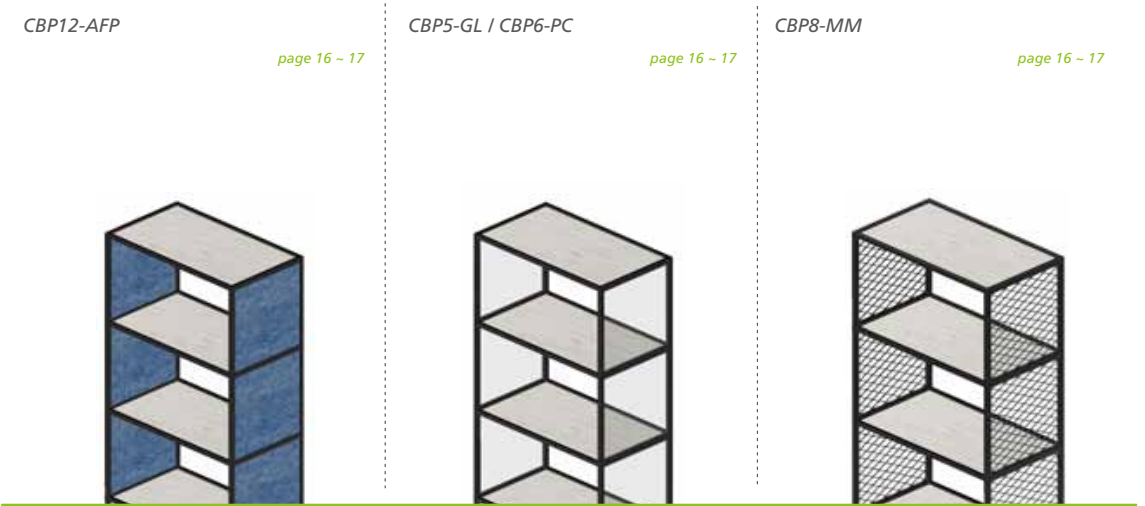
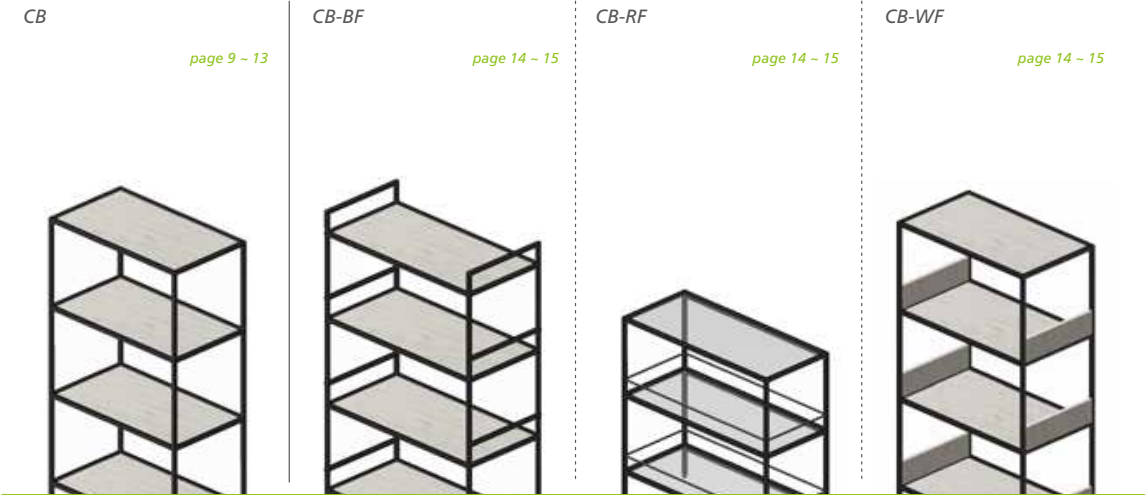
Технические характеристики на каркасные системы, фурнитуру CUBE18 (полки, шкафы, стеллажи, двери)

КОМПАНИИ **Four Winds**

Виды товаров: полки, шкафы, петли, раздвижные двери, наборы ящиков, перекладки, профили, настенные каркасы для полок, боковые рамы полки, боковые рамы полки с квадратными боковыми направляющими, распашные двери и раздвижные двери, системы выдвигаемых ящиков, вставки боковых панелей, фронтальные стенки ящика, кронштейны, фурнитура для напольной стойки, колесики, напольная фурнитура, крепежные детали, светодиодные светильники и др.

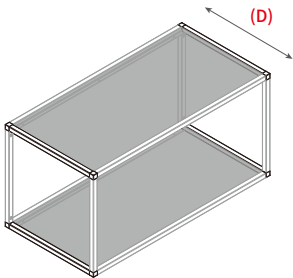
CUBE18 Shelf & Cabinet Frame System

層架及櫥櫃框架系統

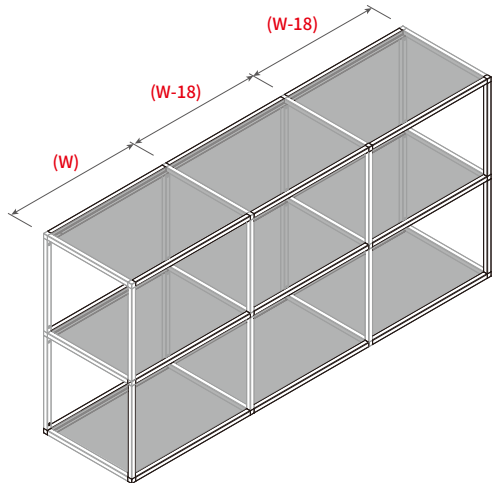


CUBE18 Shelf & Cabinet Frame System

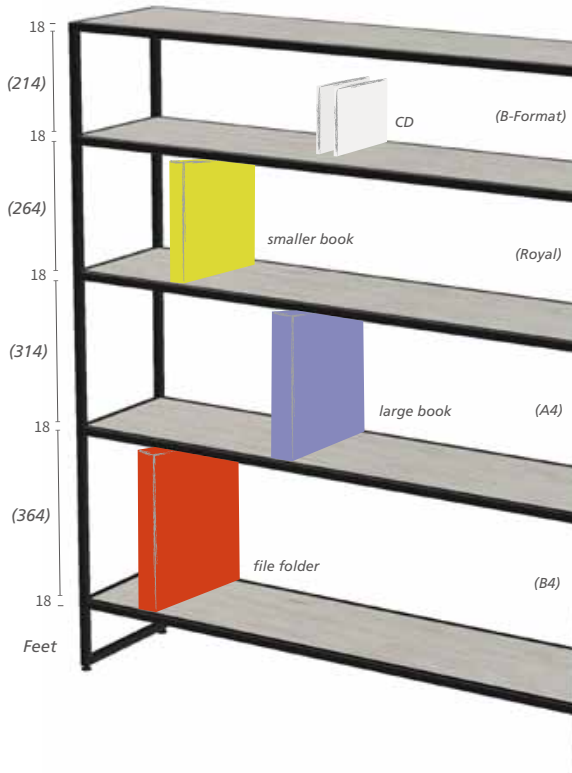
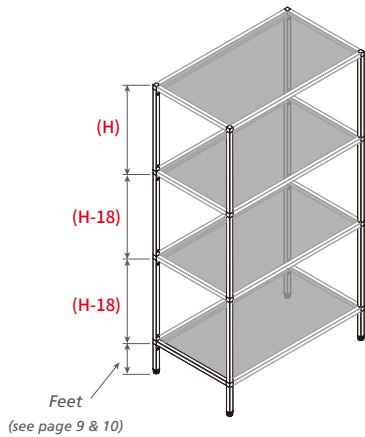
Depth Module (D)
*250, 300, 350, 400, 450 & 500mm



Width Module (W)
*350, 400, 450, 600, 800, 900 & 1000mm



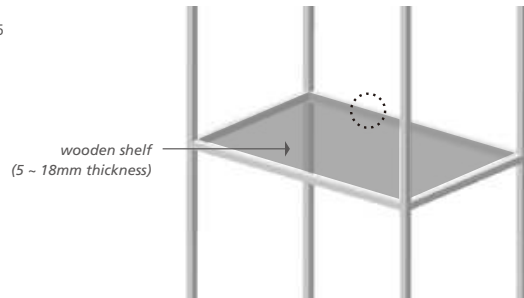
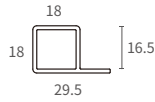
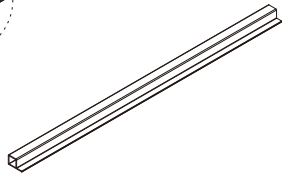
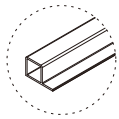
Height Module (H)
*250, 300, 350, 400 & 500mm



Width (L) Cube Cross Bar

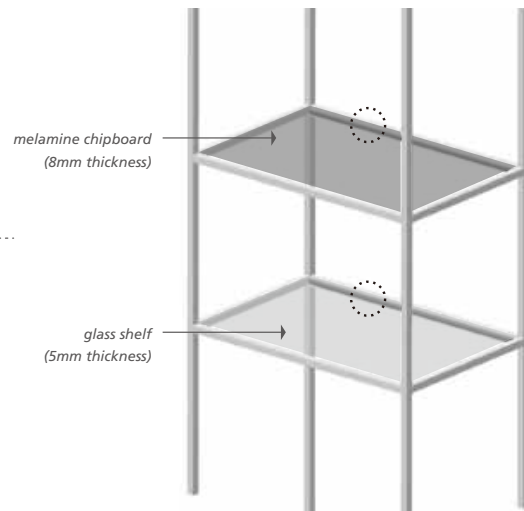
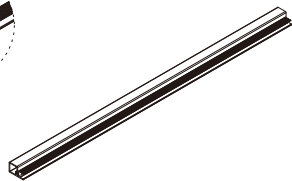
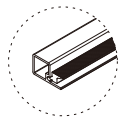
L-CBL
Shelf Panel Cross Bar

*16.5mm inner depth, for 5 ~ 18mm inset shelf panel



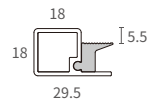
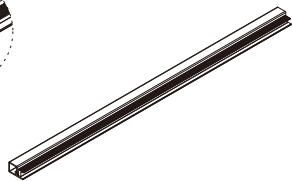
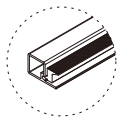
L-CB8
Shelf Panel Cross Bar

*8.5mm inner depth, for 8mm melamine chipboard



L-CB5
Shelf Panel Cross Bar

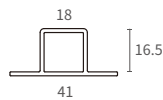
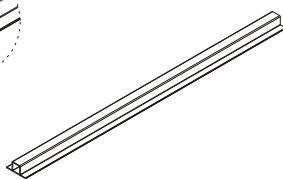
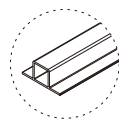
*5.5mm inner depth, for 4 ~ 6mm tempered glass



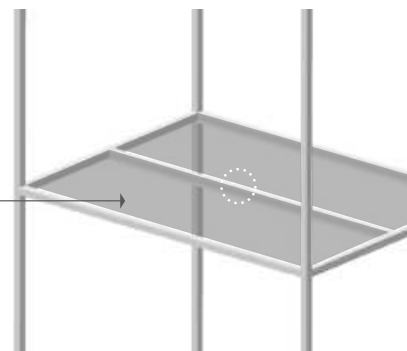
glass shelf
(5mm thickness)

L-CB2L
Shelf Panel Cross Bar

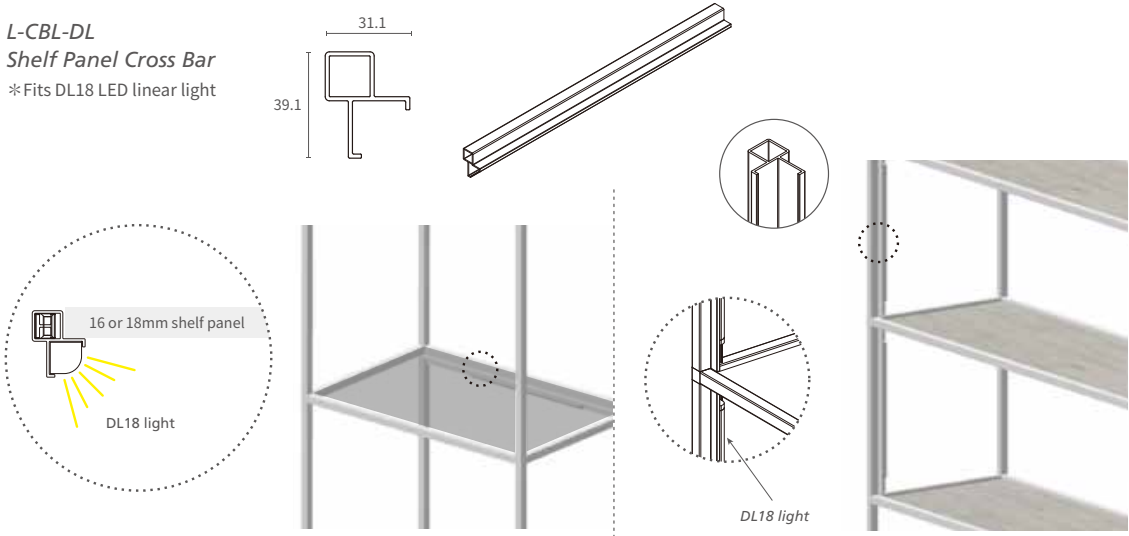
*16.5mm inner depth, for 5 ~ 18mm inset shelf panel



wooden shelf
(5 ~ 18mm thickness)

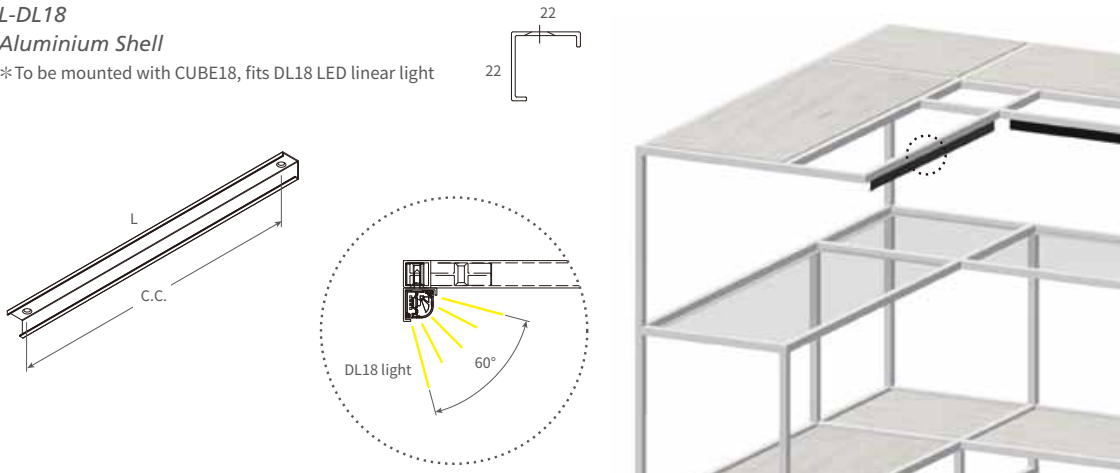


L-CBL-DL
Shelf Panel Cross Bar
* Fits DL18 LED linear light

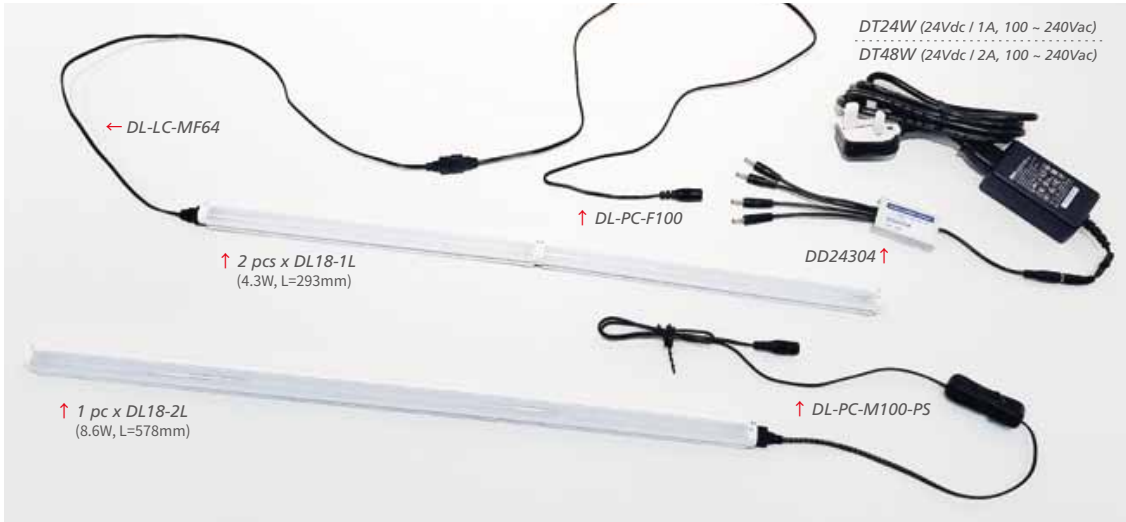


L-DL18
Aluminium Shell

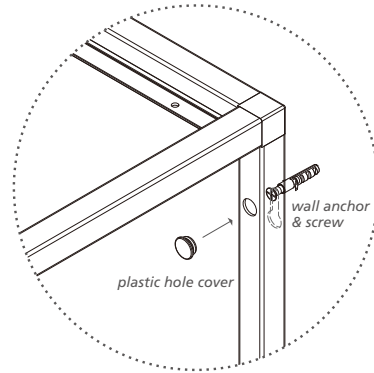
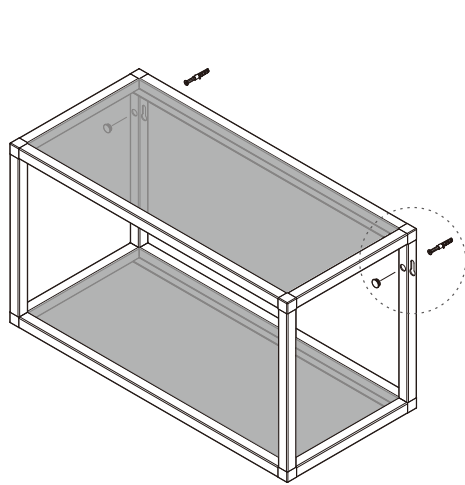
* To be mounted with CUBE18, fits DL18 LED linear light



DL18 LED Linear Light



CB Shelf Frame, Wall-mounted



Keyhole fix (wall-mounted)

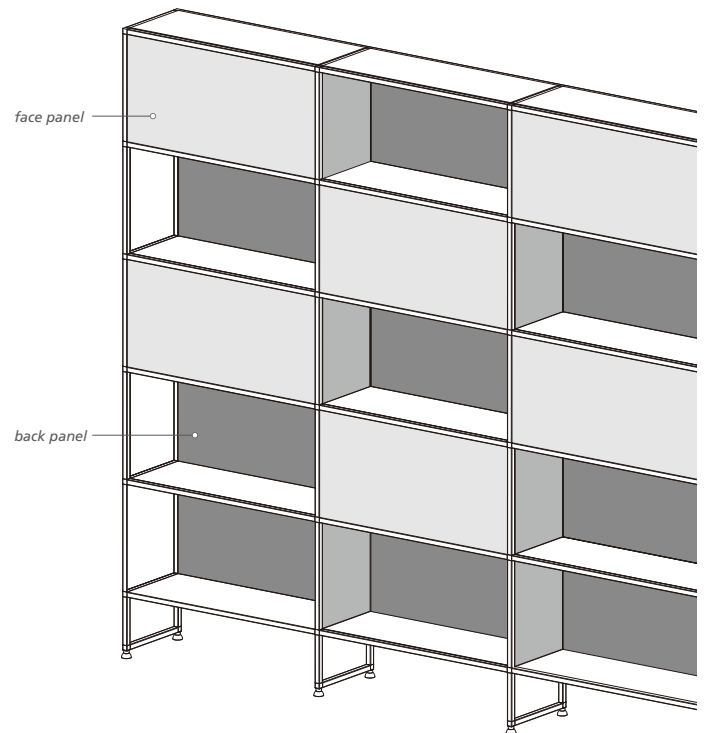
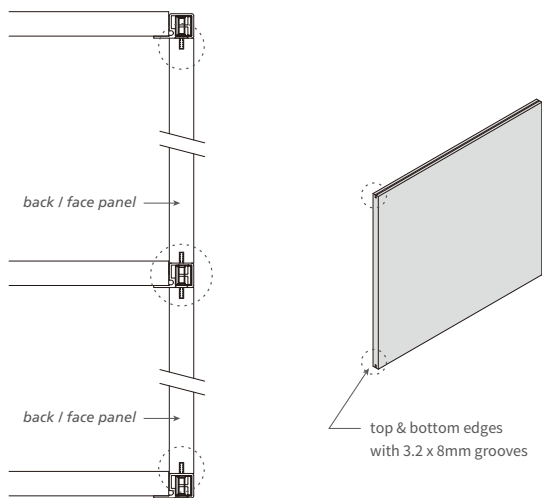
CUBE18 Back & Front Panel

CBG-BP

Back & Front Panel

* 18mm thickness, top & bottom edge with 3.2x8mm grooves

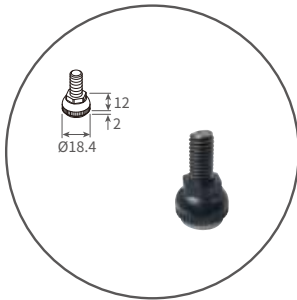
* Practically enhancing the stability of the whole shelf and rack cabinet
(有效穩固整座層架 / 櫥櫃)



Floor Stand Fittings

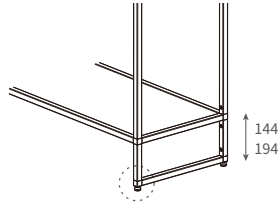
*With FG18 adjustable glide (+6mm)

FG18
Plastic Adjustable Glide
 *With M8 x 15mm stem



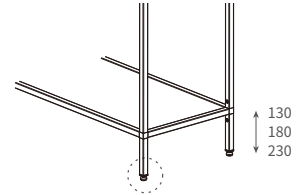
HBD
Framed Feet

*Height: 144 or 194mm



HBF
Straight Feet

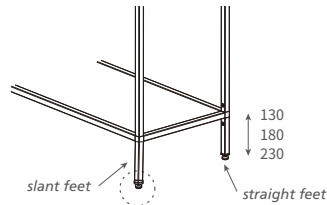
*Height: 130, 180 or 230mm



MSL
Single Slant Feet

*Height: 130, 180 or 230mm

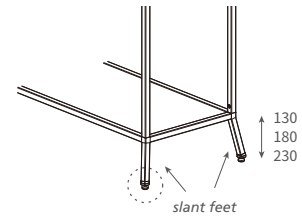
*Wall unit, anti-toppled



DSL
Dual Slant Feet

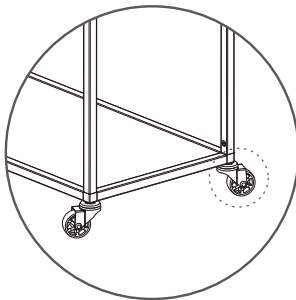
*Height: 130, 180 or 230mm

*Freestanding, anti-toppled



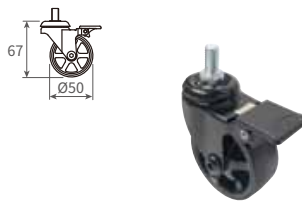
Castors, all black

*With M8 x 15mm stem



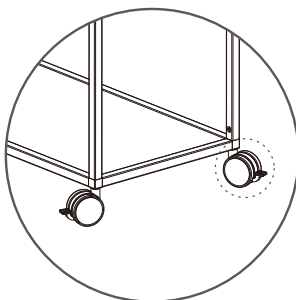
PCX50
Single Wheel Castor

*Dimensions: (Ø) 50 x (H) 67mm



PCX75
Single Wheel Castor

*Dimensions: (Ø) 75 x (H) 98mm



CMF60
Twin Wheel Castor

*Dimensions: (Ø) 60 x (H) 81mm



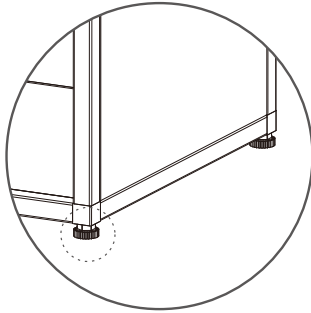
CMF75
Twin Wheel Castor

*Dimensions: (Ø) 75 x (H) 97mm



Floor Fittings

*With M8 x 15mm stem



AL32
Aluminium Adjustable Glide
*With felt pad (Ø30 x 4mm)



CHA228
Plastic Adjustable Glide
*With felt pad (Ø25 x 4mm)

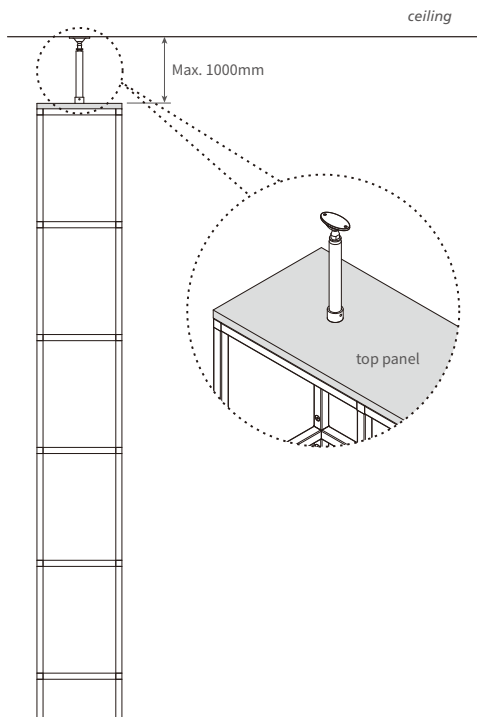


Top Fixing Holder

*Anti-topped & fixed on ceiling top

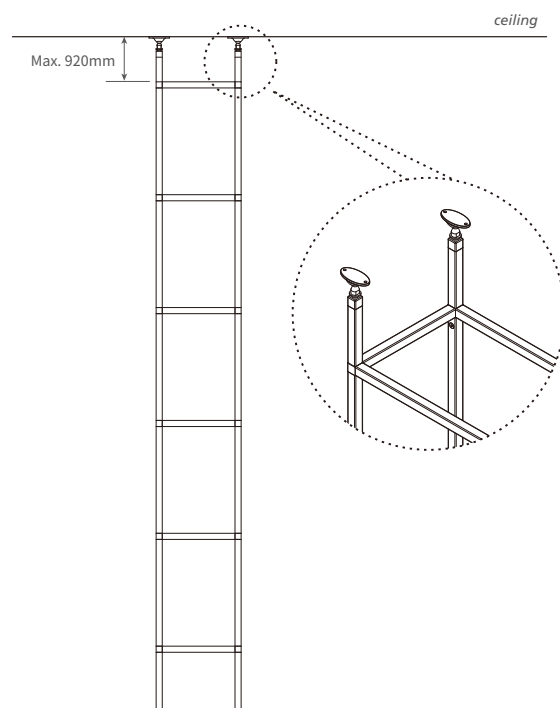
APS-TBF
Top Fixing Pole

*Max. Height: 1000mm



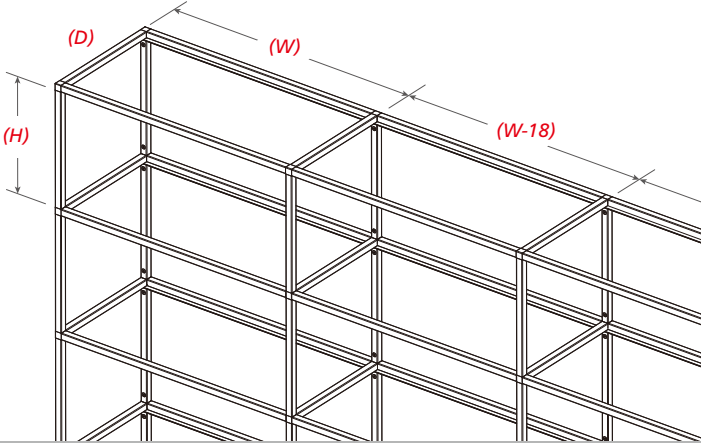
HB-TBF
Top Fixing HB Bar Holder

*Max. Height: 920mm

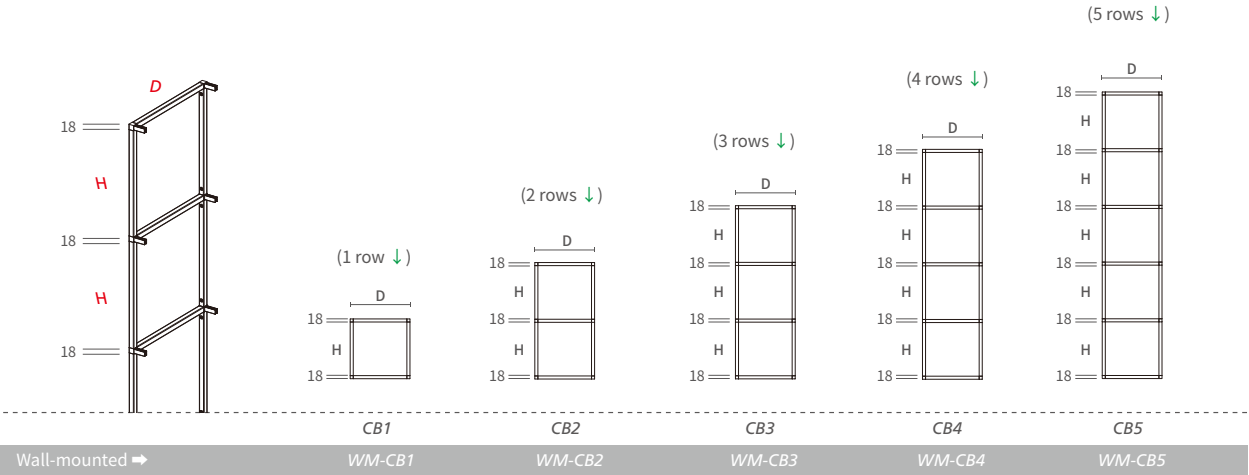


CB Basic Shelf Frame System

- *Depth (D): 250, 300, 350, 400 & 450mm
- *H: 214, 264, 314, 364 & 464mm
- *Floorstanding (立地式) or wall-mounted (鎖牆式)

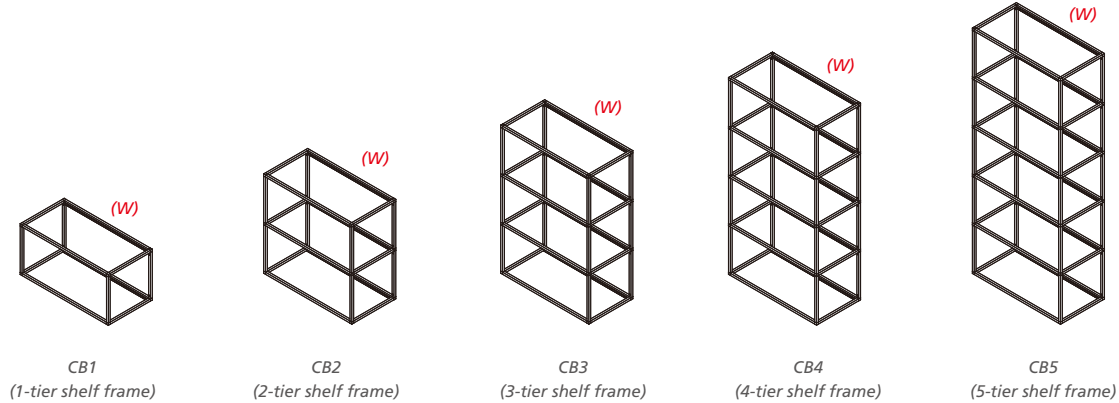


CB Shelf Side Frame



CB Basic Shelf Frame System

- *Widths (W) modules: 350, 400, 450, 600, 800, 900 & 1000mm



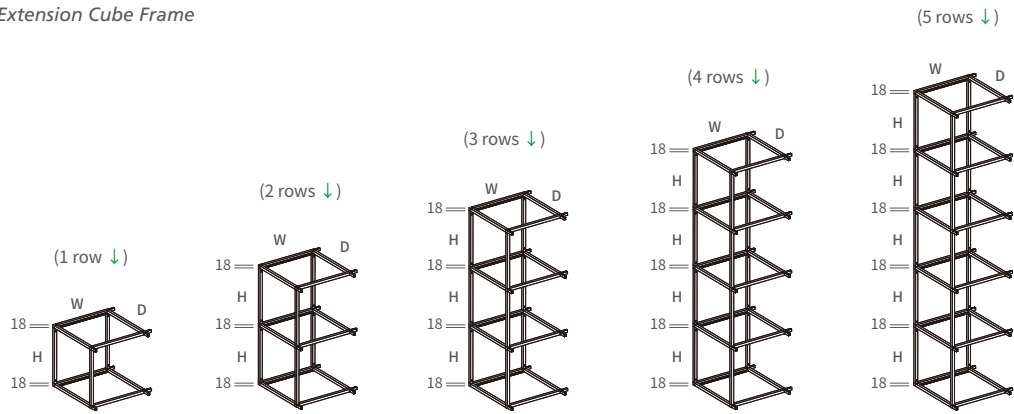
CB-LE, TE & CE Extension Cube Frame

*D x W: 300x300, 350x350 & 400x400mm

*H: 214, 264, 314, 364 & 464mm

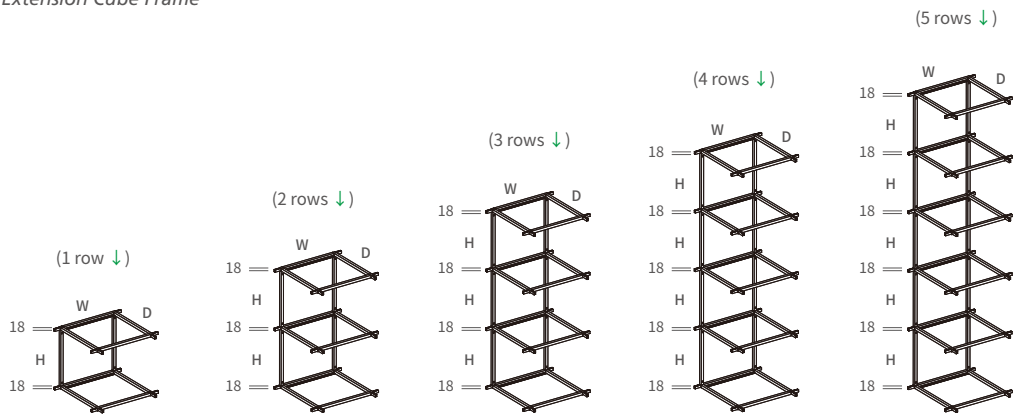
*Floorstanding (立地式) or wall-mounted (鎖牆式)

CB-LE L Extension Cube Frame



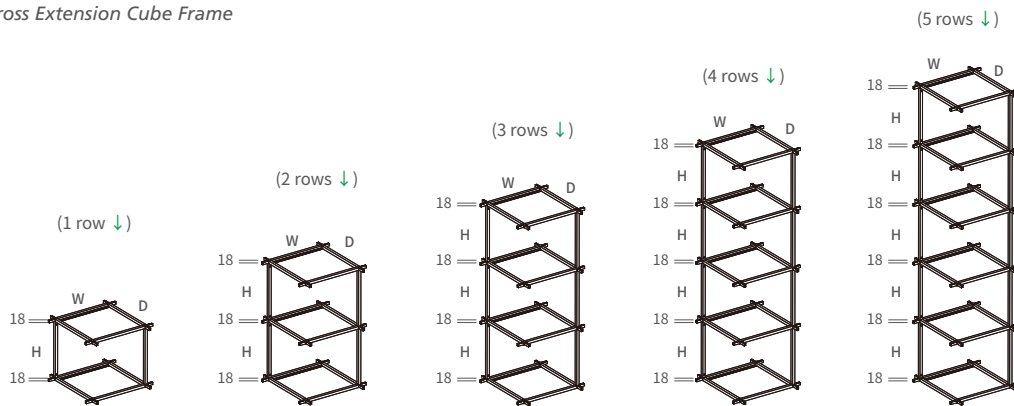
	CB-LE1	CB-LE2	CB-LE3	CB-LE4	CB-LE5
Wall-mounted →	WM-CB-LE1	WM-CB-LE2	WM-CB-LE3	WM-CB-LE4	WM-CB-LE5

CB-TE T Extension Cube Frame



	CB-TE1	CB-TE2	CB-TE3	CB-TE4	CB-TE5
Wall-mounted →	WM-CB-TE1	WM-CB-TE2	WM-CB-TE3	WM-CB-TE4	WM-CB-TE5

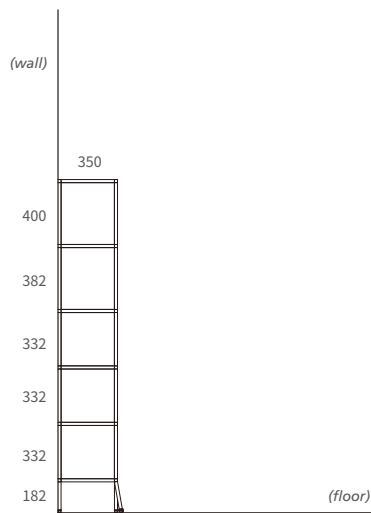
CB-CE Cross Extension Cube Frame



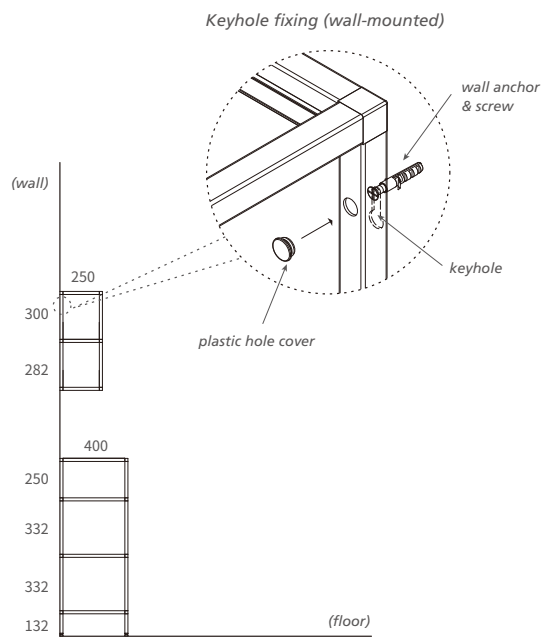
	CB-CE1	CB-CE2	CB-CE3	CB-CE4	CB-CE5
Wall-mounted →	WM-CB-CE1	WM-CB-CE2	WM-CB-CE3	WM-CB-CE4	WM-CB-CE5

CUBE18 Shelf & Cabinet Frame System

Wall Unit I



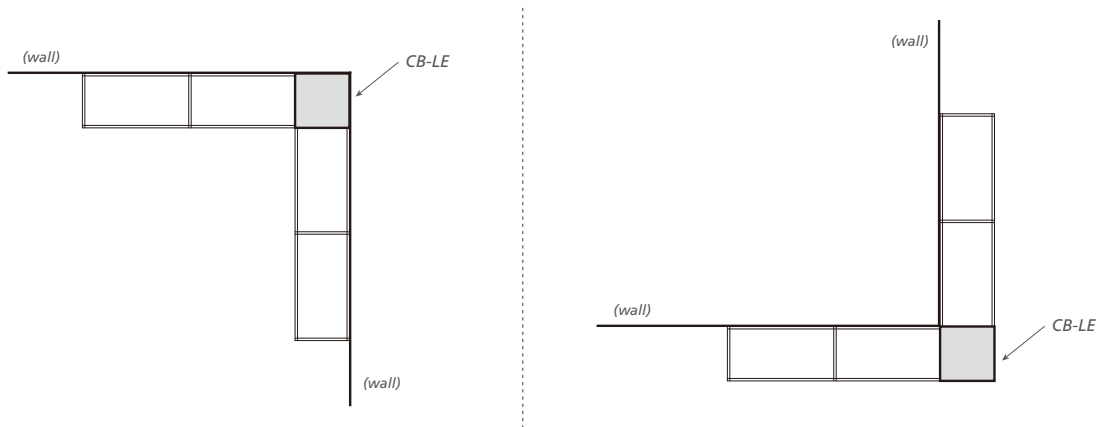
Wall Unit II



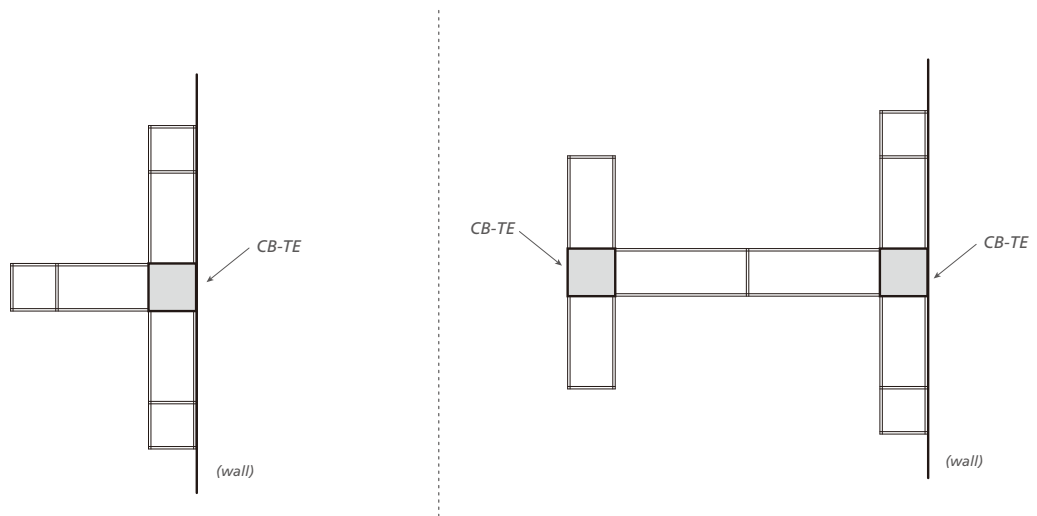
CUBE18 Shelf & Cabinet Frame System

(top view)

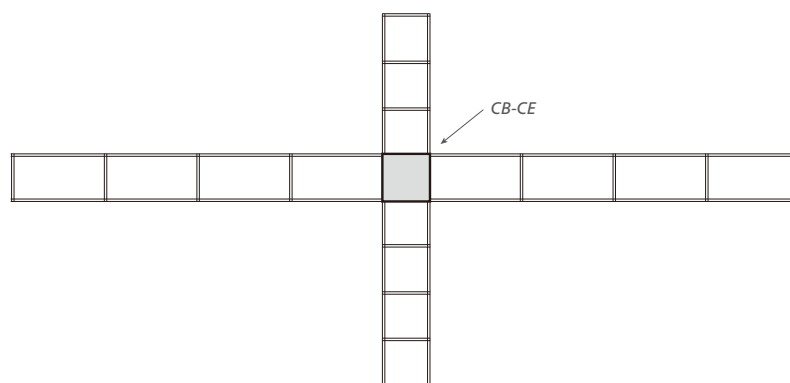
CB-LE L Extension Shelf Frame



CB-TE T Extension Shelf Frame



CB-CE Cross Extension Shelf Frame, freestanding



CB, CB-LE, TE & CE Shelf Rack System

*Extensible configuration and dimensions for individual demand

*Widths (W) of modules: 400, 600, 800 & 1000mm

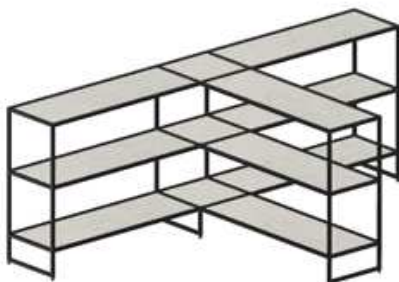
CB Basic Shelf Frame



CB-LE L Extension Shelf Frame



CB-TE T Extension Shelf Frame



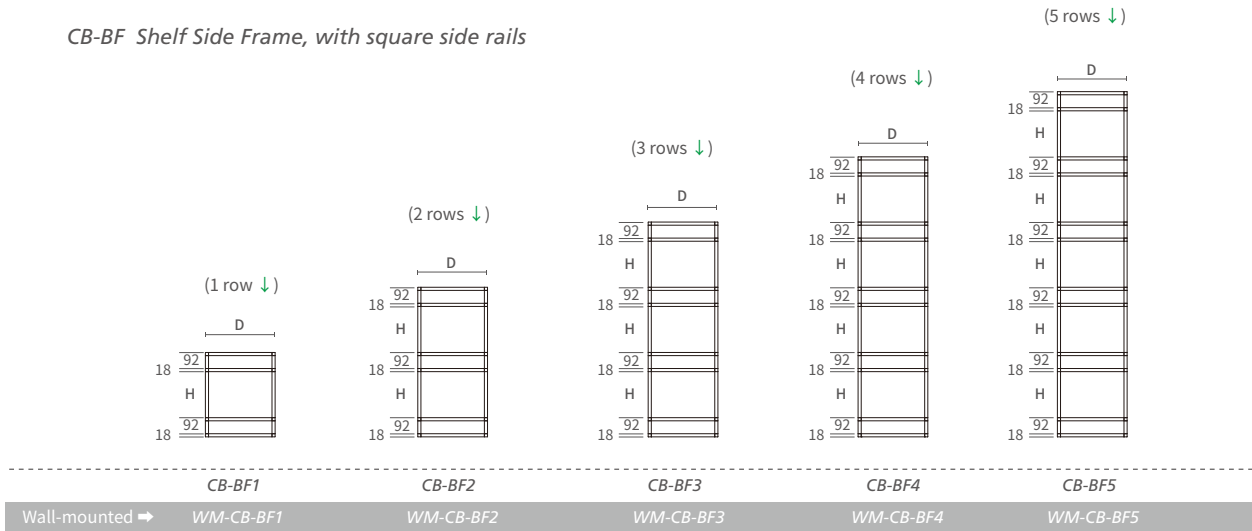
CB-CE Cross Extension Shelf Frame, freestanding



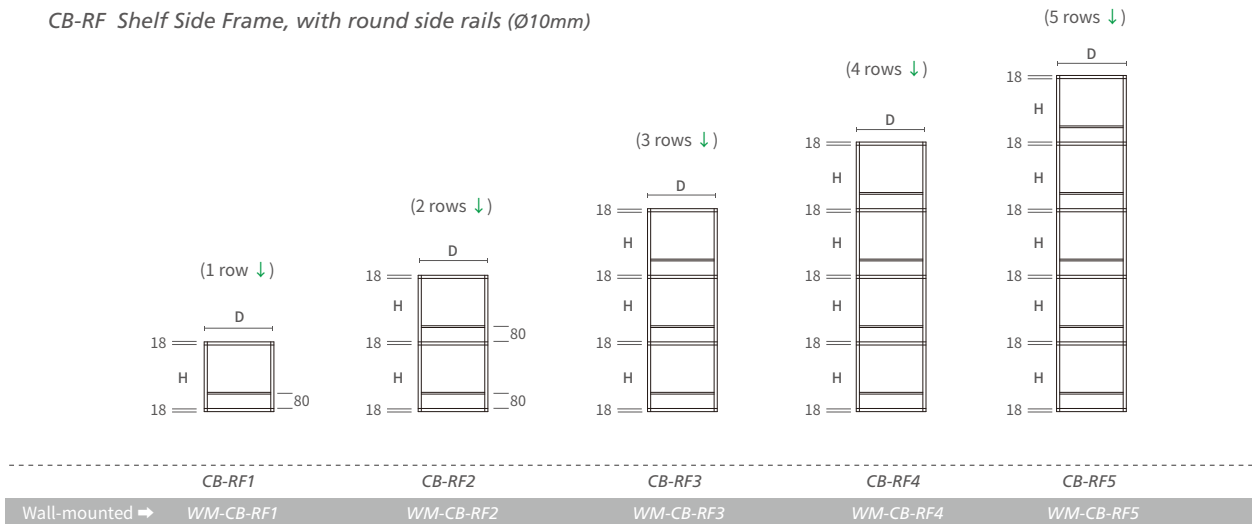
CB-BF, RF & WF Shelf Side Frame

*D: 350 & 400mm
 *H: 264, 314, 364 & 564mm

CB-BF Shelf Side Frame, with square side rails



CB-RF Shelf Side Frame, with round side rails (Ø10mm)



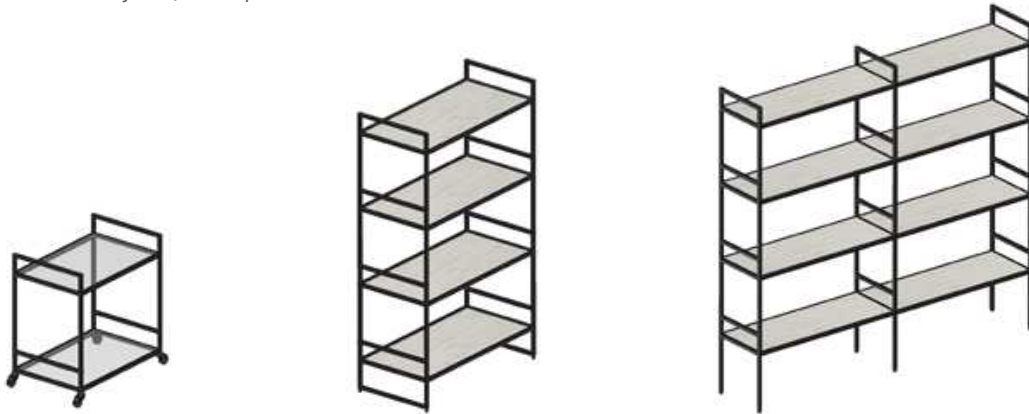
CB-WF Shelf Side Frame, with wooden side fences



CB-BF, RF & WF Shelf Rack System

- *Extensible configuration and dimensions for individual demand
- *Widths (W) of modules: 400, 600, 800 & 1000mm

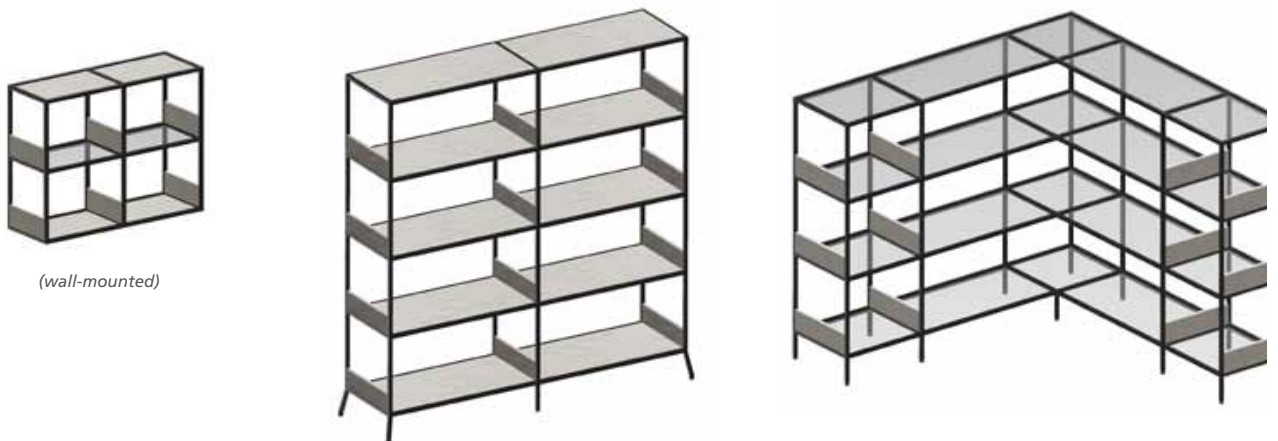
CB-BF Shelf Rack System, with square side rails



CB-RF Shelf Side Frame, with round side rails (Ø10mm)



CB-WF Shelf Rack System, with wooden side fences



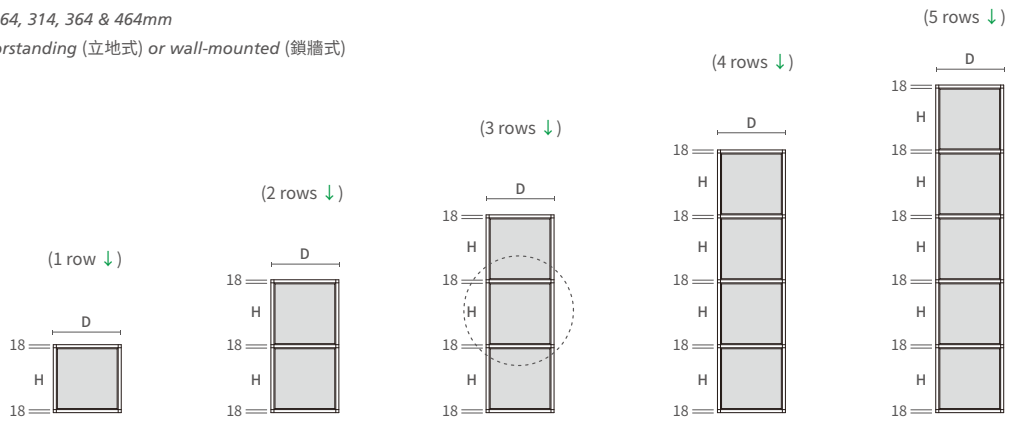
(wall-mounted)

CBP5 / CBP8 / CBP12 Shelf & Cabinet Side Frame

*D: 300, 350 & 400mm

*H: 264, 314, 364 & 464mm

*Floorstanding (立地式) or wall-mounted (鎖牆式)



CBP5-GL 5mm thick tempered glass



CBP8-MM 8mm thick metal-mesh panel



CBP8-MC 8mm thick melamine chipboard



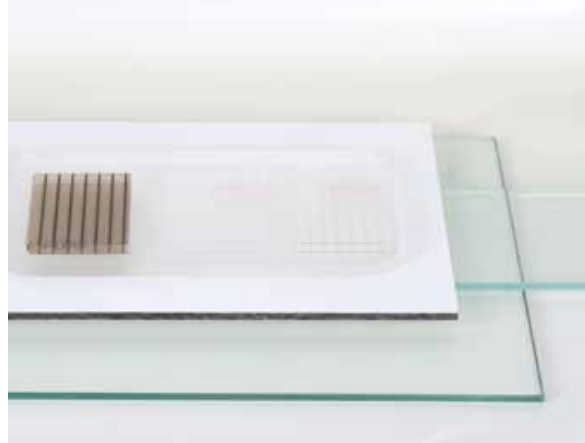
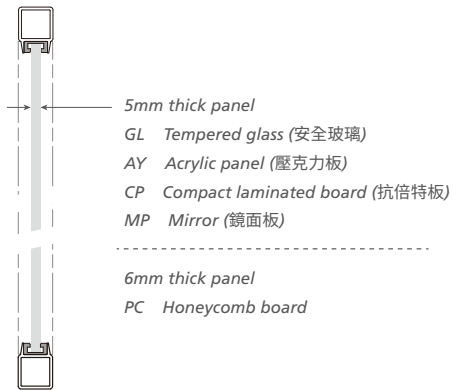
CBP12-AFP 12mm thick acoustic felt panel



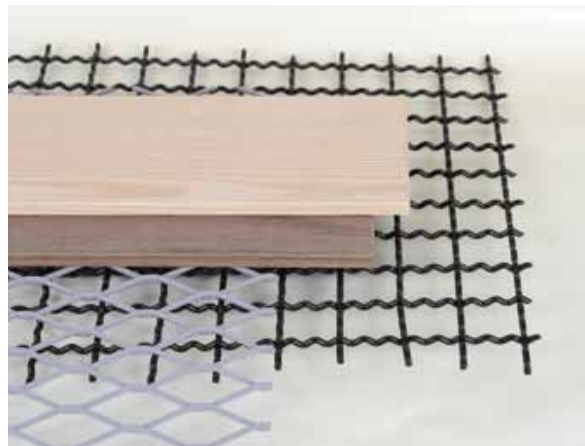
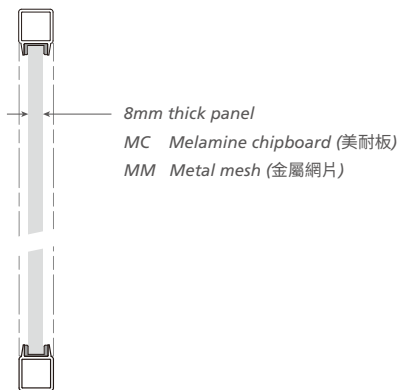
CBP5 / CBP8 / CBP12 Shelf & Cabinet Frame System



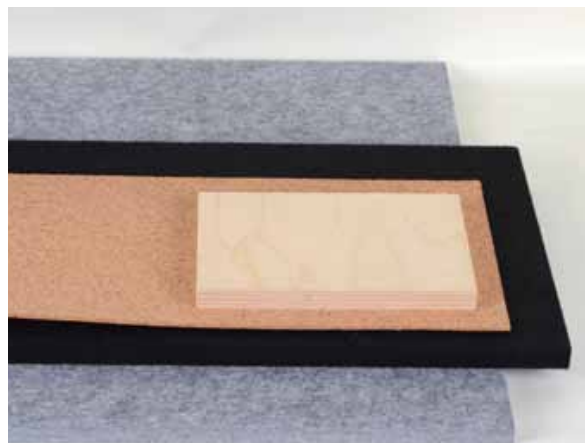
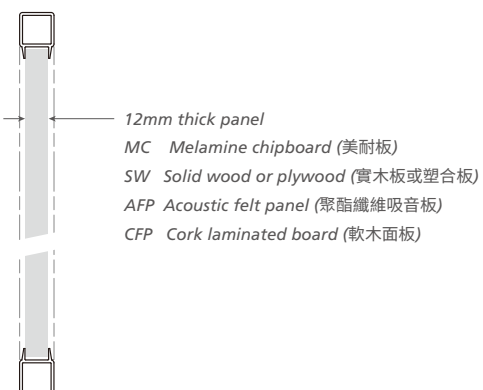
CBP5 / CB6 Side Frame



CBP8 Side Frame



CBP12 Side Frame

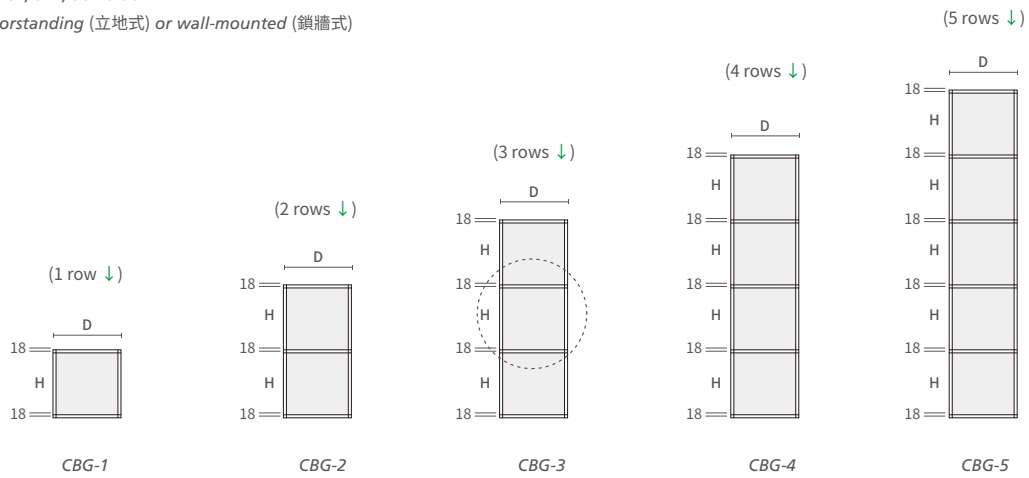


CBG Cabinet Side Frame

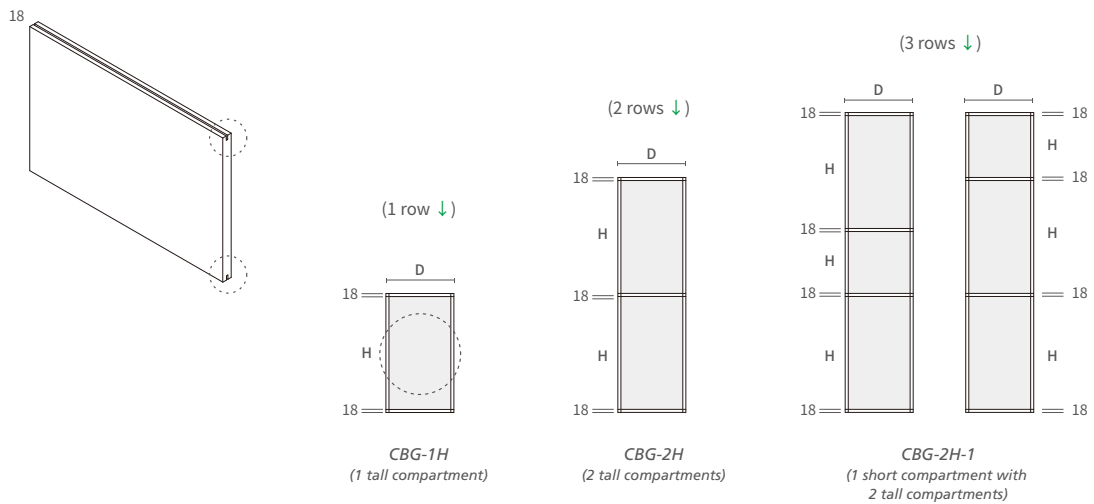
*D: 300 & 400mm

*H: 264, 314, 364 & 564mm

*Floorstanding (立地式) or wall-mounted (鎖牆式)



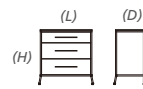
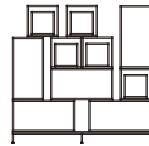
*18mm thick melamine chipboard, top & bottom with 3.2x8mm grooves



Colors of CBG frames and wooden panels



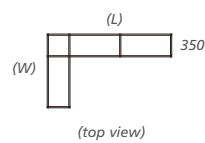
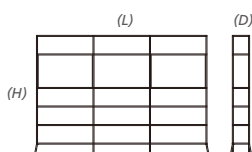
CBG Shelf & Cabinet System



Dimensions:
 (L) 800
 (D) 450
 (H) 832mm

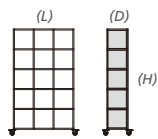


Dimensions:
 (L) 2964
 (D) 300
 (H) 2068mm

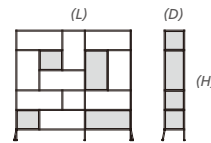


Dimensions:
 (L) 1914
 (W) 1132
 (H) 1168mm

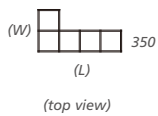
CBP Shelf & Cabinet System



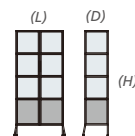
Dimensions:
 (L) 1014
 (D) 350
 (H) 1776mm



Dimensions:
 (L) 1000
 (D) 350
 (H) 1876mm



Dimensions:
 (L) 1346
 (W) 682
 (H) 1858mm



Dimensions:
 (L) 800
 (D) 400
 (H) 1776mm

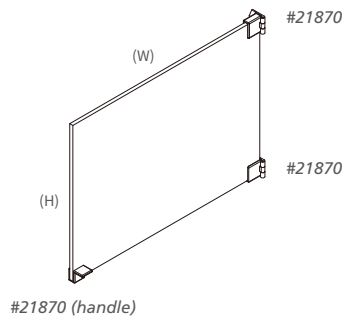
CUBE18 Hinged Door & Slide Door

CBPG-AD Aluminium Framed Door, with Air Hinge (soft-closing)



CBPG-T5DR Hinged Door

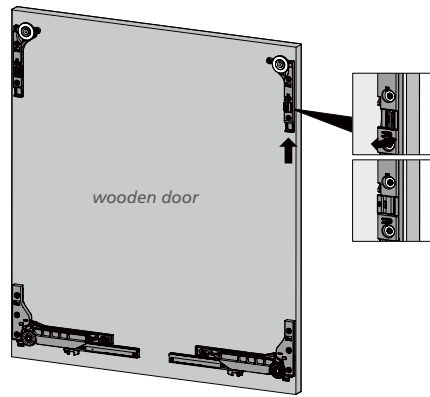
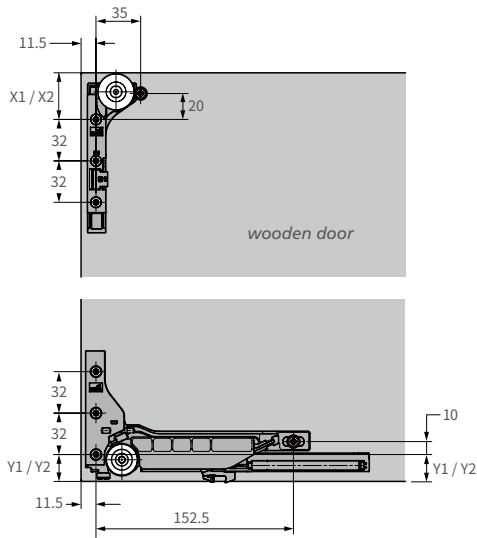
- * With #21870 hinges & handle, 5mm thick glass door
- * Custom-made dimensions (客製尺寸)



CUBE18 Hinged Door & Slide Door

CBPG-SLM
Wooden Door with SlideLine M Silent System

- * Soft-closing
- * Door weight: 10 & 30 kgs

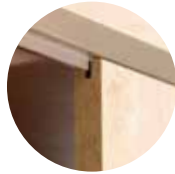
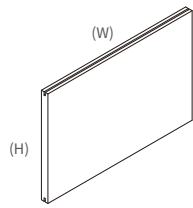


CUBE18 Hinged Door & Slide Door

CBPG-WSD

Wooden Sliding Door

*18mm thick melamine panel, top & bottom edges with 3.2x8mm grooves

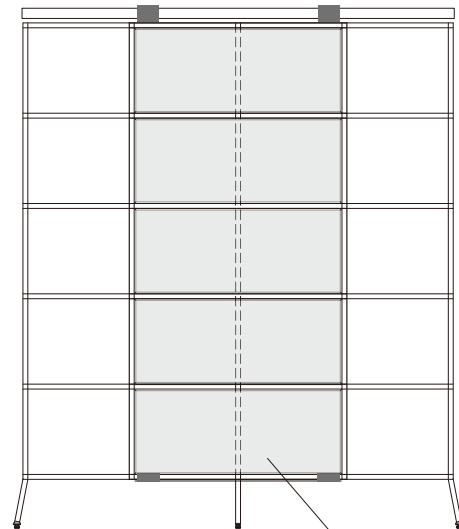
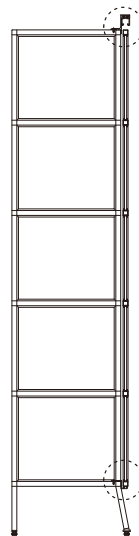
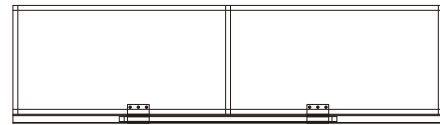
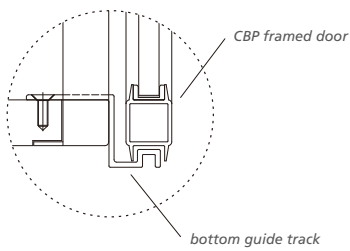
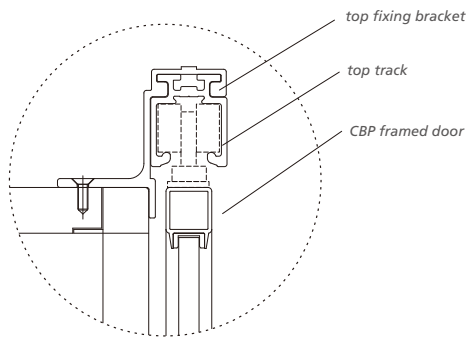


CBPG-TSD

Suspended CBP Sliding Door

*18mm thick framed door via top and bottom fixing bracket and guide track

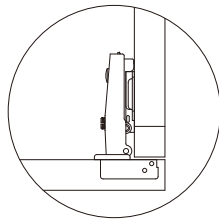
*Silent soft-closing system



CBP framed door

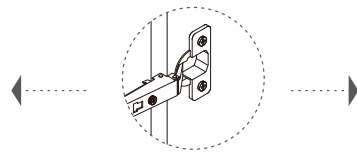
CUBE18 Hinged Door & Slide Door

Wooden Hinged Door
 *18mm thick melamine chipboard

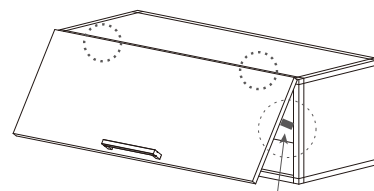


CBG-WHD-E
 Wooden Hinged Door
 *With Ø35mm cup Euro hinges, soft-closing

CBG-WHD-F
 Wooden Flap Door
 *With #22360 lift flap hinges

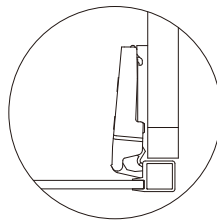


Ø35mm cup Euro hinge



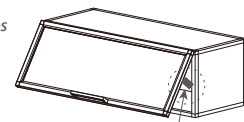
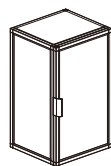
#22360 lift flap hinge

Aluminium Framed Hinged Door
 *Aluminium frames (CBFD5) inset 5mm thick tempered glass

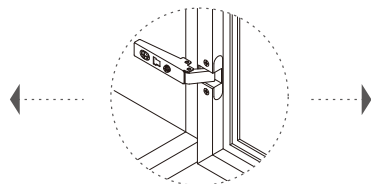
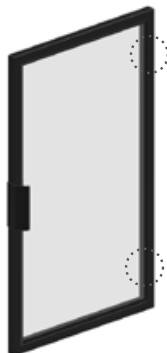


CBG-AFD-E
 Framed Hinged Door
 *With Euro hinges, soft-closing

CBG-AFD-F
 Framed Flap Door
 *With #22360 lift flap hinges



#22360 lift flap hinge



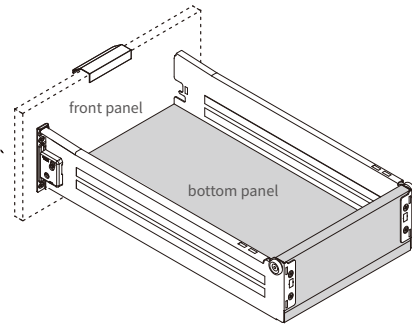
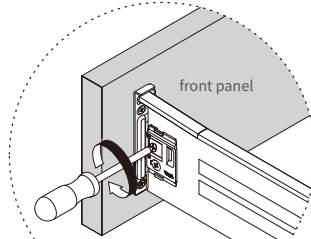
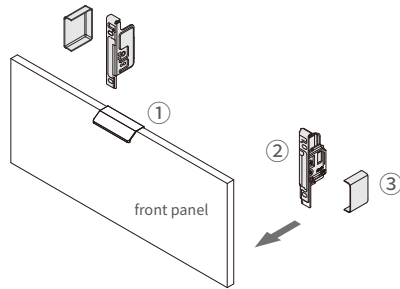
Ø35mm cup Euro hinge



e-Light Drawer System

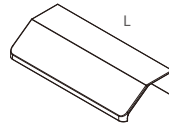
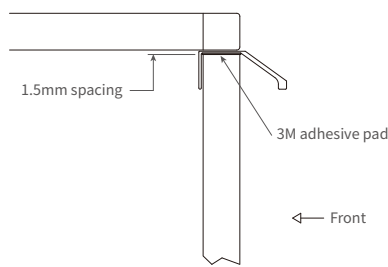
Outer Drawer Front

- * With screw-on front fixing bracket RBF1124
- * Inset or overlay drawer front



① FH18 Aluminium Finger Handle

- * With 3M adhesive pad, no drilling hole (不需鑽孔)
- * Aluminium anodized colors

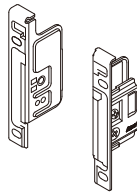


Model No.	L (Length)
FH18-43	43mm
FH18-100	100mm
FH18-180	180mm
FH18-360	360mm

Impaz Sylent RSC2530, soft-closing (緩關裝置)

② RBF1124 Front Fixing Bracket, standard

- * Steel in nickel plating
- * Left & right hands

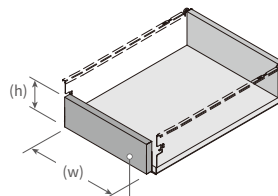
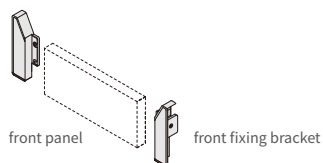


③ RBC61040 Cover Cap



Inner Drawer Front

- * With front fixing bracket
- * Left & right hand



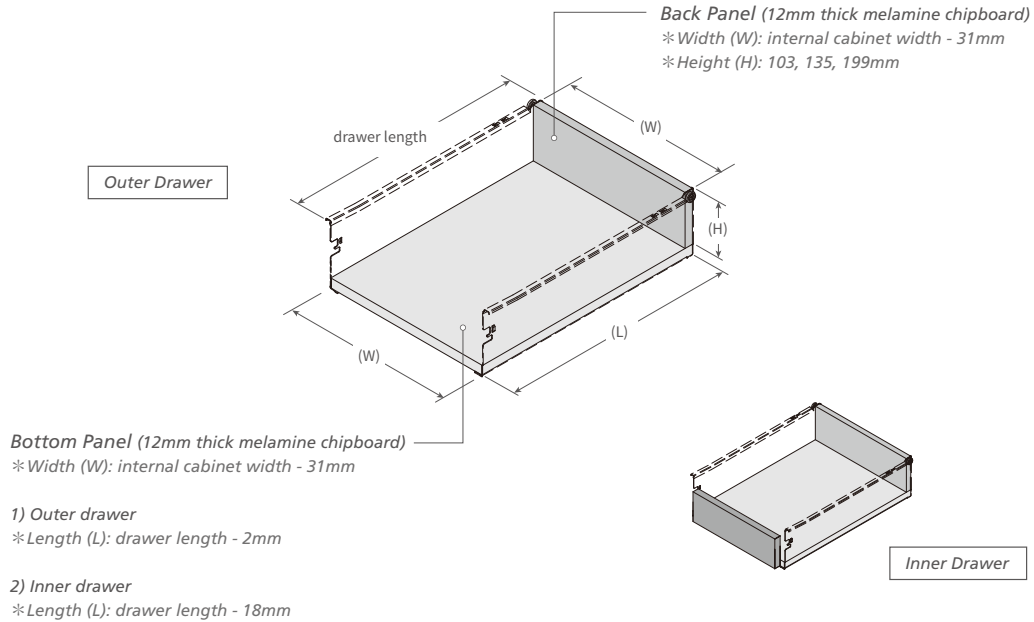
Drawer Model	Front Panel (h)	Front Fixing Bracket
ED-SE149	93mm	RBF33040
ED-FE149	125mm	RBF36040

* Width (w): internal cabinet width - 64mm

e-Light Drawer System

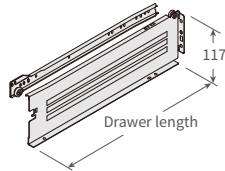
e-Light Drawer Set

*Impaz drawer box, drawer length: 350, 400 & 450mm



ED-SE117 e-Light Drawer Set, Single Extension

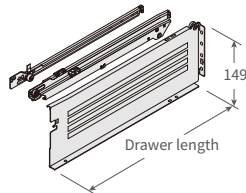
- *Steel drawer side panel height: 117mm
- *Loading capacity: 30 kgs
- *Back panel height (H): 103mm



Model No.	Drawer Length
ED-SE117-35	350mm
ED-SE117-40	400mm
ED-SE117-45	450mm

ED-FE149 e-Light Drawer Set, Full Extension

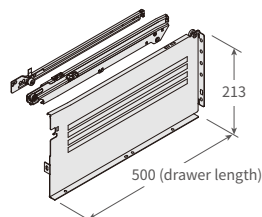
- *Steel drawer side panel height: 149mm
- *Loading capacity: 40 kgs
- *Back panel height (H): 135mm



Model No.	Drawer Length
ED-FE149-35	350mm
ED-FE149-40	400mm
ED-FE149-45	450mm

ED-FE213-50 e-Light Drawer Set, Full Extension

- *Steel drawer side panel height: 213mm
- *Drawer length: 500mm, for 550mm cabinet depth
- *Loading capacity: 40 kgs
- *Back panel height (H): 199mm

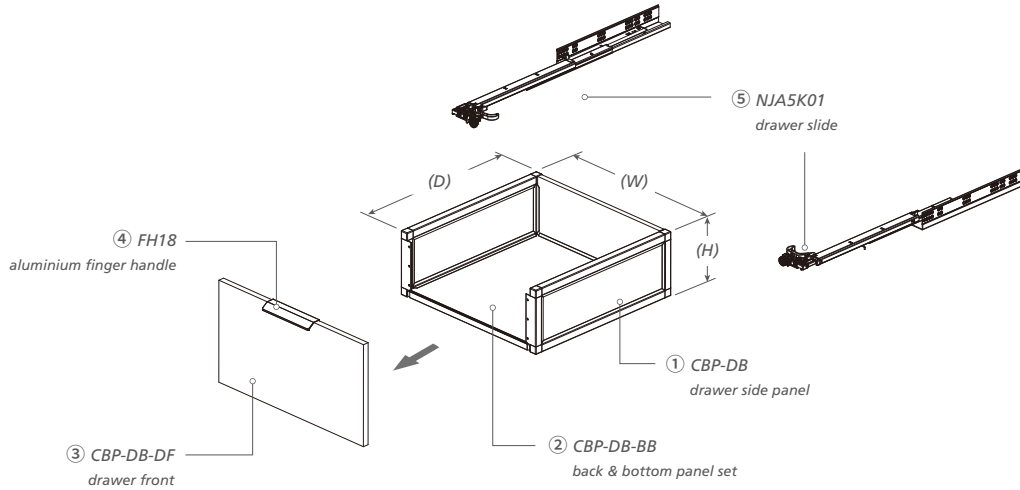


CUBE18 Undermount Drawer System

*With NJA5K01 undermount concealed drawer slide

CUBE18 Undermount Standard Drawer

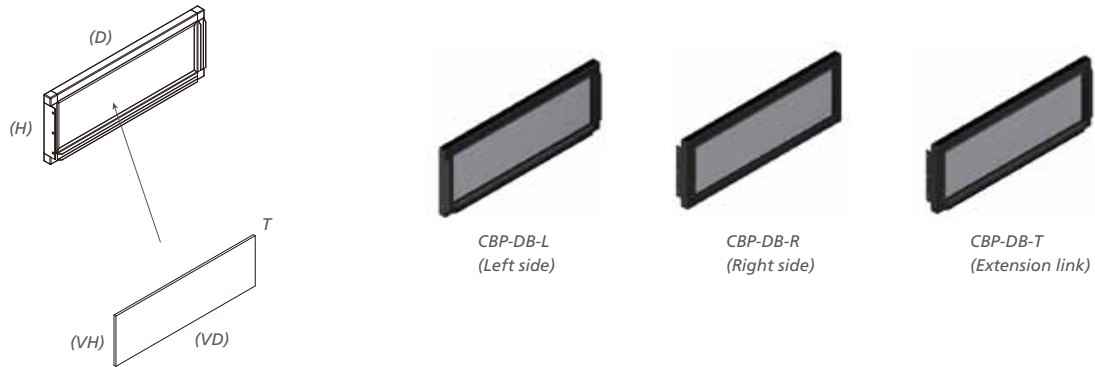
*Drawer width (W) : internal cabinet width - 12mm



① CBP-DB Drawer Side Panel

*Drawer Height (H) : 120, 150, 200 & 250mm

*Drawer Depth (D): 400, 450 & 500mm



Drawer Side Panel Inset

A. VD & VH : (D) & (H) - 39mm

For 5mm thick tempered glass or compact board or 8mm thick melamine chipboard

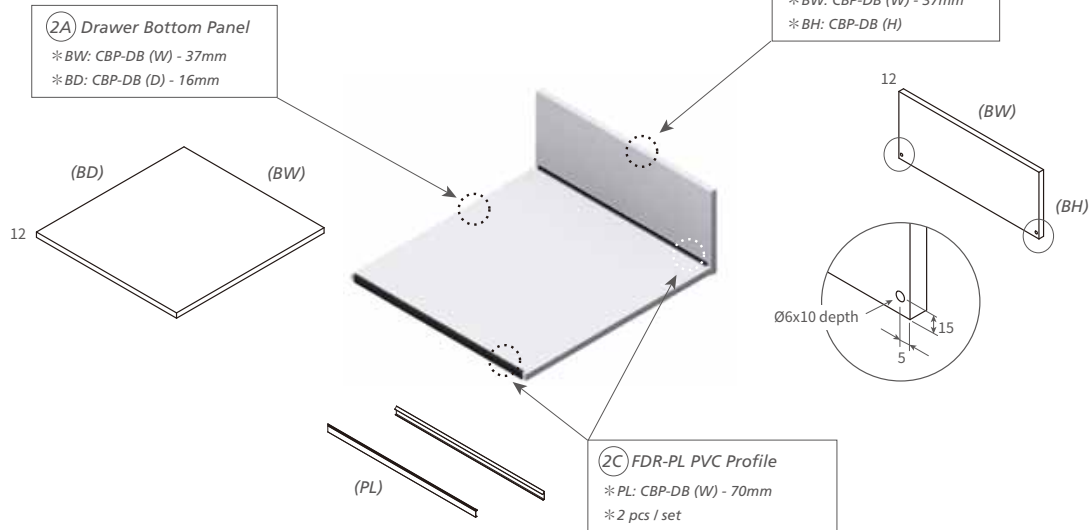
B. VD & VH: (D) & (H) - 37mm

For 12mm thick melamine chipboard or PET fiber board



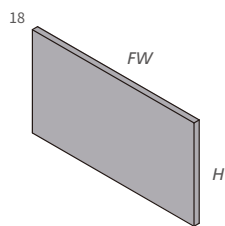
② CBP-DB-BB Drawer Back & Bottom Panel Set

*12mm thick panel, with FDR-PL PVC profile



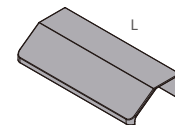
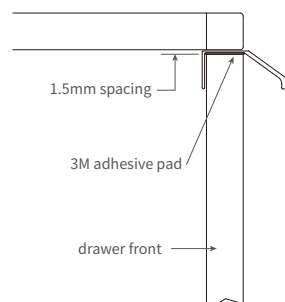
③ CBP-DB-DF Drawer Front (抽屜前板)

*18mm thick melamine chipboard
 *FW: internal cabinet width - 4mm



④ FH18 Aluminium Finger Handle

*With 3M adhesive pad (no drillhole)



Model No.	Length
FH18-100	100mm
FH18-180	180mm
FH18-360	360mm

CBP-DB Drawer Set

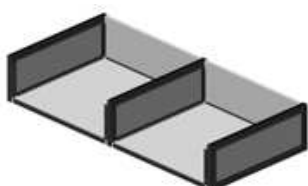
*Including CBP-DB-L + CBP-DB-R + CBP-DB-BB

With CBP-DB-DF drawer front & NJA5K01 drawer slide



2CBP-DB Drawer Divider Set

*Including CBP-DB-L + CBP-DB-R + CBP-DB-T + 2 x CBP-DB-BB



Алматы (7273)495-231
Ангарск (3955)60-70-56
Архангельск (8182)63-90-72
Астрахань (8512)99-46-04
Барнаул (3852)73-04-60
Белгород (4722)40-23-64
Благовещенск (4162)22-76-07
Брянск (4832)59-03-52
Владивосток (423)249-28-31
Владикавказ (8672)28-90-48
Владимир (4922)49-43-18
Волгоград (844)278-03-48
Вологда (8172)26-41-59
Воронеж (473)204-51-73
Екатеринбург (343)384-55-89

Иваново (4932)77-34-06
Ижевск (3412)26-03-58
Иркутск (395)279-98-46
Казань (843)206-01-48
Калининград (4012)72-03-81
Калуга (4842)92-23-67
Кемерово (3842)65-04-62
Киров (8332)68-02-04
Коломна (4966)23-41-49
Кострома (4942)77-07-48
Краснодар (861)203-40-90
Красноярск (391)204-63-61
Курск (4712)77-13-04
Курган (3522)50-90-47
Липецк (4742)52-20-81

Магнитогорск (3519)55-03-13
Москва (495)268-04-70
Мурманск (8152)59-64-93
Набережные Челны (8552)20-53-41
Нижний Новгород (831)429-08-12
Новокузнецк (3843)20-46-81
Ноябрьск (3496)41-32-12
Новосибирск (383)227-86-73
Омск (3812)21-46-40
Орел (4862)44-53-42
Оренбург (3532)37-68-04
Пенза (8412)22-31-16
Петрозаводск (8142)55-98-37
Псков (8112)59-10-37

Пермь (342)205-81-47
Ростов-на-Дону (863)308-18-15
Рязань (4912)46-61-64
Самара (846)206-03-16
Саранск (8342)22-96-24
Санкт-Петербург (812)309-46-40
Саратов (845)249-38-78
Севастополь (8692)22-31-93
Симферополь (3652)67-13-56
Смоленск (4812)29-41-54
Сочи (862)225-72-31
Ставрополь (8652)20-65-13
Сургут (3462)77-98-35
Сыктывкар (8212)25-95-17
Тамбов (4752)50-40-97

Тверь (4822)63-31-35
Тольятти (8482)63-91-07
Томск (3822)98-41-53
Тула (4872)33-79-87
Тюмень (3452)66-21-18
Ульяновск (8422)24-23-59
Улан-Удэ (3012)59-97-51
Уфа (347)229-48-12
Хабаровск (4212)92-98-04
Чебоксары (8352)28-53-07
Челябинск (351)202-03-61
Череповец (8202)49-02-64
Чита (3022)38-34-83
Якутск (4112)23-90-97
Ярославль (4852)69-52-93

Россия +7(495)268-04-70

Казахстан +7(7172)727-132

Киргизия +996(312)96-26-47

www.fourwinds.nt-rt.ru | | fse@nt-rt.ru