

Алматы (7273)495-231	Иваново (4932)77-34-06	Магнитогорск (3519)55-03-13	Пермь (342)205-81-47	Тверь (4822)63-31-35
Ангарск (3955)60-70-56	Ижевск (3412)26-03-58	Москва (495)268-04-70	Ростов-на-Дону (863)308-18-15	Тольятти (8482)63-91-07
Архангельск (8182)63-90-72	Иркутск (395)279-98-46	Мурманск (8152)59-64-93	Рязань (4912)46-61-64	Томск (3822)98-41-53
Астрахань (8512)99-46-04	Казань (843)206-01-48	Набережные Челны (8552)20-53-41	Самара (846)206-03-16	Тула (4872)33-79-87
Барнаул (3852)73-04-60	Калининград (4012)72-03-81	Нижний Новгород (831)429-08-12	Саранск (8342)22-96-24	Тюмень (3452)66-21-18
Белгород (4722)40-23-64	Калуга (4842)92-23-67	Новокузнецк (3843)20-46-81	Санкт-Петербург (812)309-46-40	Ульяновск (8422)24-23-59
Благовещенск (4162)22-76-07	Кемерово (3842)65-04-62	Ноябрьск (3496)41-32-12	Саратов (845)249-38-78	Улан-Удэ (3012)59-97-51
Брянск (4832)59-03-52	Киров (8332)68-02-04	Новосибирск (383)227-86-73	Севастополь (8692)22-31-93	Уфа (347)229-48-12
Владивосток (423)249-28-31	Коломна (4966)23-41-49	Омск (3812)21-46-40	Симферополь (3652)67-13-56	Хабаровск (4212)92-98-04
Владикавказ (8672)28-90-48	Кострома (4942)77-07-48	Орел (4862)44-53-42	Смоленск (4812)29-41-54	Чебоксары (8352)28-53-07
Владимир (4922)49-43-18	Краснодар (861)203-40-90	Оренбург (3532)37-68-04	Сочи (862)225-72-31	Челябинск (351)202-03-61
Волгоград (844)278-03-48	Красноярск (391)204-63-61	Пенза (8412)22-31-16	Ставрополь (8652)20-65-13	Череповец (8202)49-02-64
Вологда (8172)26-41-59	Курск (4712)77-13-04	Петрозаводск (8142)55-98-37	Сургут (3462)77-98-35	Чита (3022)38-34-83
Воронеж (473)204-51-73	Курган (3522)50-90-47	Псков (8112)59-10-37	Сыктывкар (8212)25-95-17	Якутск (4112)23-90-97
Екатеринбург (343)384-55-89	Липецк (4742)52-20-81		Тамбов (4752)50-40-97	Ярославль (4852)69-52-93

Россия +7(495)268-04-70

Казахстан +7(7172)727-132

Киргизия +996(312)96-26-47

www.fourwinds.nt-rt.ru | fse@nt-rt.ru

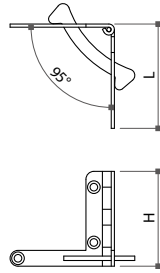
Технические характеристики на сверлильные принадлежности, деревообрабатывающие инструменты, замки и засовы для шкатулок КОМПАНИИ **Four Winds**

Виды товаров: замки и засовы для шкатулок, увлажнители, гигрометры, буровые долота, ступенчатые сверла, кольцевые пилы, буровые колонки, переносные наборы для сверления петель, магнитные лотки, сверлильные приспособления для выдвижных ящиков, деревянные винтовые зажимы, зажимы для склеивания кромок, ручные токоизмерительные зажимы, штанговые зажимы, распорки, ручки панели, касторы для шкафа с болтовым креплением, колеса шкафа с болтовым креплением, скребки, инструменты для удаления острых углов, двусторонние триммеры, наборы сменных лезвий, кромкооблицовочные станки, ролики держателя, валики для ламината с удлинительной ручкой, ролики держателя с жаткой, магнитные лотки для деталей, алюминиевые совки, замки и засовы для шкатулок, увлажнители, гигрометры, буровые долота, ступенчатые сверла, кольцевые пилы, буровые колонки, переносные наборы для сверления петель, магнитные лотки и др.

17-1 Jewel Box Fittings

Cigar Box Hinges (Humidor Hinges)

- * With 95° stop arm
- * Material: solid brass
- * Finish: polished & lacquered or gold plated



Item No.	Dimension (HxL)
20653	30x32mm
20655	31x43mm
20652	41x48mm



Mini Cylinder Hinges (Jewel Box Hinges)

- * Material: solid brass
- * Finish: original color



Item No.	Size
20683	Ø5x9.7mm
20686	Ø5x12mm

Solid Brass Cylinder Hinges

- * Fully invisible hinge, 180° opening



Item No.	Size
20571	Ø10mm
20572	Ø12mm
20573	Ø14mm

Jewel Box Hinges

- * Material: solid brass



Item No.	Size
20692	9.6x76mm
20697	6.5x74.5mm

Jewel Box Hinge

- * Material: steel
- * Finish: brass plated



Item No.	Size
20682	19.3x24.4mm
20687	25x31.5mm

22013 Jewel Box Lid support

- * Material: steel
- * Finish: brass plated
- * Length: 44mm



Item No.	Length
22013	44mm

63681 Jewel Box Latch

- * Material: steel
- * Finish: brass plated
- * Size : 45x31mm



Item No.	Size
63681	45x31mm

17-1 Jewel Box Fittings

63684 Jewel Box Latch

- * Material: steel
- * Finish: brass plated
- * Size : 34x44.5mm



Item No.	Size
63684	34x44.5mm

63683 Jewel Box Latch

- * Material: solid brass
- * Size : 31x38mm



Item No.	Size
63683	31x38mm

63695 Jewel Box Latch

- * Material: steel
- * Finish: brass plated
- * Size : 27.2x29mm



Item No.	Size
63695	27.2x29mm

63696 Jewel Box Latch

- * Material: steel
- * Finish: brass plated
- * Size : 30x20.5mm



Item No.	Size
63696	30x20.5mm

63694 Jewel Box Latch

- * Material: solid brass
- * Size : 20x26mm



Item No.	Size
63694	20x26mm

63658 Jewel Box Lock

- * Material: steel
- * Each set consists of :
 - 1pc of lock body
 - 1pc of strike plate
 - 1pc of rosette
 - 1pc of key



63659 Jewel Box Lock

- * Material: steel
- * Each set consists of :
 - 1pc of lock body
 - 1pc of lock cover
 - 1pc of strike plate
 - 1pc of rosette
 - 1pc of key



63882 Jewel Box Hasp

- * Material: steel
- * Finish: brass plated
- * Size : 22.5x43mm



Item No.	Size
63882	22.5x43mm

17-1 Jewel Box Fittings



HD001 Humidifier

- * Material: plastic
- * Dimension: Ø59x17mm H.
- * With self-adhesive cushion
- * Finish: gold plated



HD002 Humidifier

- * Material: plastic
- * Dimension: Ø57x14mm H.
- * With self-adhesive cushion
- * Finish: black



Item No.	Dimension
HD001	Ø59x17mm H.

Item No.	Dimension
HD002	Ø57x14mm H.

Hygrometer

HM044 Dimension: Ø44x20mm H.

HM070 Dimension: Ø70x20mm H.

- * Material: plastic
- * With self-adhesive cushion or magic tape
- * Finish: black or brass frame



HM044



HM070

Item No.	Dimension
HM044	Ø44x20mm H.
HM070	Ø70x20mm H.

HM073 Electronic Hygrometer

- * With self-adhesive cushion
- * Dimension: 62x29mm

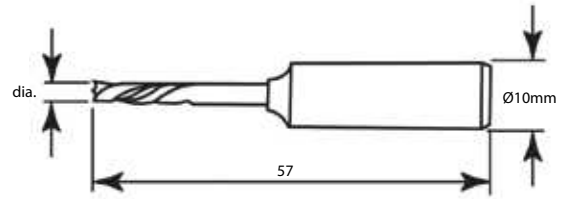


Item No.	Dimension
HM073	62x29mm

17-2 Drill & Boring Bits

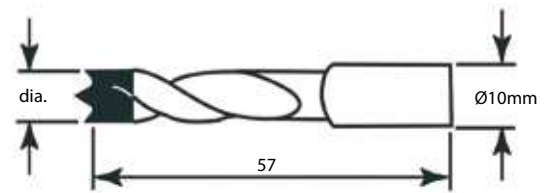
2390 SD Boring Bits

- * Suitable for predrilling screw holes in diameter of $\varnothing 2, 2.5, 3$ and 4mm
- * Tungsten carbide tipped
- * Shank size: $\varnothing 10\text{mm}$, overall length: 57mm
- * Right or left hand



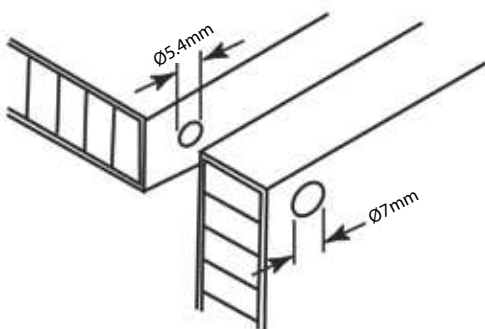
2400 DD Boring Bits

- * Ideal to predrill dowel holes in diameter of $\varnothing 5, 6, 8$ and 10mm
- * Tungsten carbide tipped
- * Shank size: $\varnothing 10\text{mm}$, overall length: 57mm
- * Right or left hand



2410 ST Step Drill Bit

- * High speed steel
- * Diameter step 7 and 5.4mm , shank size: $\varnothing 10\text{mm}$
- * Ideal to make holes for connecting screws $7 \times 40\text{mm}$, $7 \times 50\text{mm}$, $7 \times 70\text{mm}$ etc.,



17-2 Drill & Boring Bits

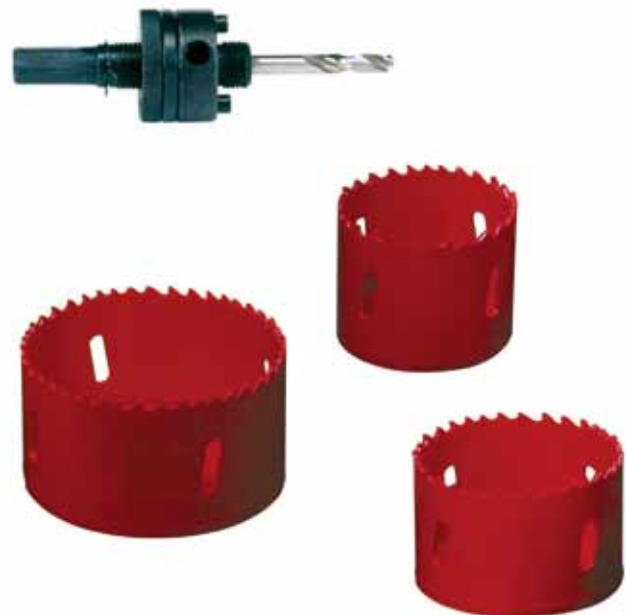
2330 Series T.C.T. Hole Saw

- * For wood cutting hole, $\varnothing 22 \sim 115\text{mm}$ available
- * Max. cutting depth: 60mm
- * Arbor included with each hole saw



2340KIT Hole saws - Suitable for FW 48 / 54 / 67 Down Lights

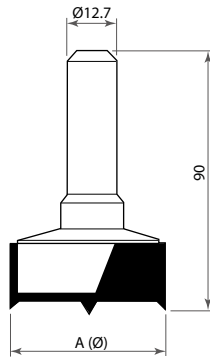
- * Complete kit including 1 pc of arbor, 1 pc of $\varnothing 48\text{mm}$ hole saw, 1 pc of $\varnothing 54\text{mm}$ hole saw, 1 pc of $\varnothing 67\text{mm}$ hole saw
- * Arbor fitted with high speed pilot drill, hex shank 11mm (7/16")



17-2 Drill & Boring Bits

231 Series Hinge Boring Bits

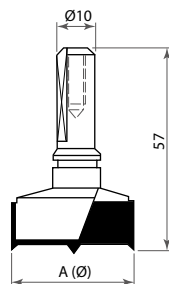
- * Tungsten carbide tipped
- * Right hand (in black) and left hand (in red) available



Item No.	A
231-19	Ø19mm
231-22	Ø22.2mm
231-25	Ø25.4mm
231-29	Ø28.6mm
231-32	Ø31.8mm
231-35	Ø35mm
231-38	Ø38.1mm
231-41	Ø41.3mm
231-45	Ø44.5mm
231-48	Ø47.6mm
231-51	Ø50.8mm
231-54	Ø54mm

232 Series Hinge Boring Bits With Inner Thread

- * Tungsten carbide tipped
- * Right hand (in black) and left hand (in red) available

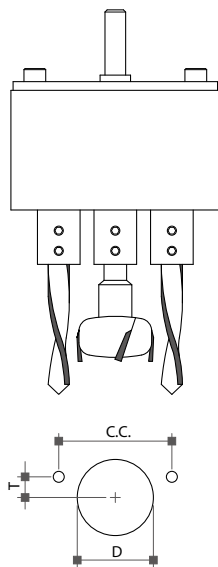
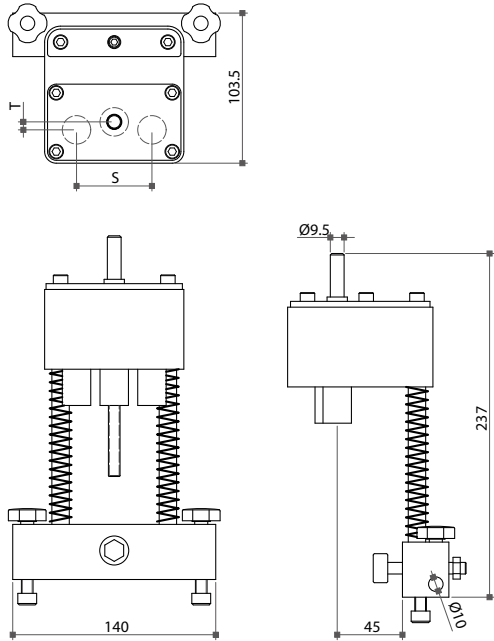


Item No.	A
232-15	Ø15mm
232-20	Ø20mm
232-25	Ø25mm
232-26	Ø26mm
232-30	Ø30mm
232-35	Ø35mm
232-38	Ø38mm
232-40	Ø40mm

17-2 Drill & Boring Bits

Portable Drilling Set for Hinges

- * Accomplish 3 predrilled holes at one time, one Ø35mm or 26mm cup hole and two screw or dowel holes
- * Fits standard hand drill or small drilling machine, easy assembly
- * Portable, handy and very useful



Item No.	C.C.	T	D
9143-451	45mm	9.5mm	Ø35mm
9143-521	52mm	5.5mm	Ø35mm
9143-481	48mm	6.0mm	Ø35mm
9143-482	48mm	9.0mm	Ø35mm
9143-421	42mm	11.0mm	Ø35mm
9142-381	38mm	7.5mm	Ø26mm

17-3 Woodworking Tools

99400 Wooden Handscrew Clamp

- * Parallel clamp
- * Classic jaw reach applies even pressure across the work piece
- * Simply turn the pivoting hand screws to adjust irregular object



Item No.	Opening capacity	Jaw length	Clamp depth
99400-1	55mm	120mm	52mm
99400-2	77mm	152mm	80mm
99400-3	130mm	203mm	110mm
99400-4	180mm	254mm	127mm
99400-5	236mm	305mm	158mm

99410 Edge Gluing Clamp

- * Opposing cams self-center and grip panel as edge treatment is clamped in place
- * Ideal for contoured or straight edge profiles
- * One hand operation



Item No.	Opening capacity	Throat depth	Clamp surface
99410-1	3-1/2"	4-3/4"	N/A
99410-2	1-7/8"	2-7/8"	1-3/8"

99420 Manual Power Clamp

- * Comfortable TPR grips
- * Material: 75% nylon + 25% fiberglass (two-tone)
- * Jaw capacity: 1-1/2"(38mm), 2-1/4"(58mm), 4"(100mm)



17-3 Woodworking Tools

99430 New Bar Clamps/Spreader

- * Material of body: nylon + fiberglass
- * Material of bar: carbon steel
- * Material of jaw: soft TPR / comfortable TPR grips
- * Clamping capacity: 6" (150mm), 12" (300mm), 18" (450mm), 24" (600mm) & 36" (900mm)
- * Spreading capacity: 6-1/2" ~ 14", 6-1/2" ~ 20", 6-1/2" ~ 26", 6-1/2" ~ 32" & 6-1/2" ~ 44"
- * Pressure: 130 ~ 160kgs
- * Throat depth: 3-1/4" (85mm)
- * Quick-change jaw allows change from clamps to spreader without extra tools



99440 Panel Grip

- * Carry large panels up to 1-1/8" thick with ease
- * Two opposing cams firmly grip the panel during carrying



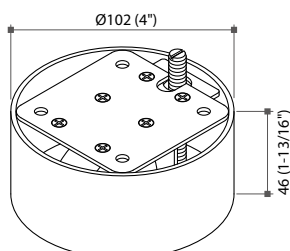
99450 Cabinet Castor Bolt-On Mobility

- * For panel thickness from 5/8" ~ 1-1/4"
- * Castor size: Ø2"
- * The cabinet caster provides easy, bolt-on mobility to any cabinet
- * Rigid steel construction and 2" wheel loading 160 pounds
- * Adjustment of leveling foot: 1"



99452 Cabinet Wheel Bolt-On Mobility

- * Simply screw fixing under the cabinet bottom
- * Release the adjustable glide to suspend the wheel for staying put. Fasten the adjustable glide to land the wheel for movement



17-3 Woodworking Tools

99470 2 in 1 Edge Trimmer

- * A set contains two blades and a mounting handle
- * With a straight blade for trimming laminates and veneers and a second blade for chamfering
- * The chamfer blade provides two options of radii with the same blade
- * Both blades are re-sharpenable HSS and can be interchanged quickly ensuring minimum downtime
- * At 1-1/2" wide by 2-7/16" long
- * It mortises into any bench with top thicker than 7/8"



99480 Corner Plane

- * Effective tool for removing sharp corners with one clean swipe



9104 Double Edge Trimmer

- * Suitable for work pieces of 9/16" ~ 7/8" thickness
- * Hardened steel blade
- * Simultaneously trim both sides of edge banded work

9104RK Replacement Blade Set



17-3 Woodworking Tools

99490 Edge Bander / Heat Gun

- * Electronically controlled German made heat gun (115V cUL and 220V CE) adjustable between 100° and 600°
- * A wide range of banding materials from 3/4" ~ 2" (19 ~ 51mm) wide
- * Facilitates applying pre-glued edge banding
- * Pre-glued banding is fed through a blast of hot air prior to being applied to the edge of the board material
- * Built-in cut-off knife is actuated with the blow of hand for quick cutting



99500 Edge Banding Iron

- * Voltage: 110 ~ 120V/AC
- * Electric current: 1.0 ~ 1.3A
- * Low temperature: 70°C ± 10°C
- * High temperature: 90°C ~ 240°C
- * Apply pre-glued edge banding with ease and accuracy
- * The thermostatically controlled short preheat time prompts efficient work
- * Heat resistant metal base provided for resting between use



99510 Portable Edge Bander Set

- * Handles edge banding up to 50mm wide x 1mm thick or 30mm wide x 2mm thick
- * Fully adjustable from 50°C ~ 610°C, max. 2,000W input
- * Weight: 3 kg



17-3 Woodworking Tools

99520 J Holder Roller

* Length of handle: 4.7" (120mm)



Item No.	Roller width
99520-1	6.3" (160mm)
99520-2	9.2" (234mm)
99520-3	3"(76.2mm) x3 pic

99530 Laminate Roller With Extension Handle

- * Roller width: 7-1/2" (190.5mm)
- * The handle can be extended from 17" ~ 27" (432 ~ 686mm) by twisting the handle



99540 J Holder Roller With Header

- * 3" (76.2mm) wide roller
- * The rollers efficiently apply operating pressure to laminates and veneers for better glue joining
- * With comfortable grips and rubber roller for even pressure distribution
- * Handle type: straight handle or high pressure handle



17-3 Woodworking Tools

99550 Magnetic Parts Tray

- * Size: 4"x8" (102x203mm) or 4"x4" (102x102mm)
- * ABS hood is optional
- * All ferrous parts stay put no matter the tray is vertical or horizontal



99550-1

99550-2



99550-3

99550-4

Item No.	Size	Feature
99550-1	4"x8" (102x203mm)	with hood
99550-2	4"x4" (102x102mm)	with hood
99550-3	4"x8" (102x203mm)	without hood
99550-4	4"x4" (102x102mm)	without hood

99560 Aluminium Dustpan

- * Size: 17" or 12" width
- * Aluminium dustpan in zinc plating



Алматы (7273)495-231
Ангарск (3955)60-70-56
Архангельск (8182)63-90-72
Астрахань (8512)99-46-04
Барнаул (3852)73-04-60
Белгород (4722)40-23-64
Благовещенск (4162)22-76-07
Брянск (4832)59-03-52
Владивосток (423)249-28-31
Владикавказ (8672)28-90-48
Владимир (4922)49-43-18
Волгоград (844)278-03-48
Вологда (8172)26-41-59
Воронеж (473)204-51-73
Екатеринбург (343)384-55-89

Иваново (4932)77-34-06
Ижевск (3412)26-03-58
Иркутск (395)279-98-46
Казань (843)206-01-48
Калининград (4012)72-03-81
Калуга (4842)92-23-67
Кемерово (3842)65-04-62
Киров (8332)68-02-04
Коломна (4966)23-41-49
Кострома (4942)77-07-48
Краснодар (861)203-40-90
Красноярск (391)204-63-61
Курск (4712)77-13-04
Курган (3522)50-90-47
Липецк (4742)52-20-81

Магнитогорск (3519)55-03-13
Москва (495)268-04-70
Мурманск (8152)59-64-93
Набережные Челны (8552)20-53-41
Нижний Новгород (831)429-08-12
Новокузнецк (3843)20-46-81
Ноябрьск (3496)41-32-12
Новосибирск (383)227-86-73
Омск (3812)21-46-40
Орел (4862)44-53-42
Оренбург (3532)37-68-04
Пенза (8412)22-31-16
Петрозаводск (8142)55-98-37
Псков (8112)59-10-37

Пермь (342)205-81-47
Ростов-на-Дону (863)308-18-15
Рязань (4912)46-61-64
Самара (846)206-03-16
Саранск (8342)22-96-24
Санкт-Петербург (812)309-46-40
Саратов (845)249-38-78
Севастополь (8692)22-31-93
Симферополь (3652)67-13-56
Смоленск (4812)29-41-54
Сочи (862)225-72-31
Ставрополь (8652)20-65-13
Сургут (3462)77-98-35
Сыктывкар (8212)25-95-17
Тамбов (4752)50-40-97

Тверь (4822)63-31-35
Тольятти (8482)63-91-07
Томск (3822)98-41-53
Тула (4872)33-79-87
Тюмень (3452)66-21-18
Ульяновск (8422)24-23-59
Улан-Удэ (3012)59-97-51
Уфа (347)229-48-12
Хабаровск (4212)92-98-04
Чебоксары (8352)28-53-07
Челябинск (351)202-03-61
Череповец (8202)49-02-64
Чита (3022)38-34-83
Якутск (4112)23-90-97
Ярославль (4852)69-52-93

Россия +7(495)268-04-70

Казахстан +7(7172)727-132

Киргизия +996(312)96-26-47

www.fourwinds.nt-rt.ru | | fse@nt-rt.ru