

Алматы (7273)495-231	Иваново (4932)77-34-06	Магнитогорск (3519)55-03-13	Пермь (342)205-81-47	Тверь (4822)63-31-35
Ангарск (3955)60-70-56	Ижевск (3412)26-03-58	Москва (495)268-04-70	Ростов-на-Дону (863)308-18-15	Тольятти (8482)63-91-07
Архангельск (8182)63-90-72	Иркутск (395)279-98-46	Мурманск (8152)59-64-93	Рязань (4912)46-61-64	Томск (3822)98-41-53
Астрахань (8512)99-46-04	Казань (843)206-01-48	Набережные Челны (8552)20-53-41	Самара (846)206-03-16	Тула (4872)33-79-87
Барнаул (3852)73-04-60	Калининград (4012)72-03-81	Нижний Новгород (831)429-08-12	Саранск (8342)22-96-24	Тюмень (3452)66-21-18
Белгород (4722)40-23-64	Калуга (4842)92-23-67	Новокузнецк (3843)20-46-81	Санкт-Петербург (812)309-46-40	Ульяновск (8422)24-23-59
Благовещенск (4162)22-76-07	Кемерово (3842)65-04-62	Ноябрьск (3496)41-32-12	Саратов (845)249-38-78	Улан-Удэ (3012)59-97-51
Брянск (4832)59-03-52	Киров (8332)68-02-04	Новосибирск (383)227-86-73	Севастополь (8692)22-31-93	Уфа (347)229-48-12
Владивосток (423)249-28-31	Коломна (4966)23-41-49	Омск (3812)21-46-40	Симферополь (3652)67-13-56	Хабаровск (4212)92-98-04
Владикавказ (8672)28-90-48	Кострома (4942)77-07-48	Орел (4862)44-53-42	Смоленск (4812)29-41-54	Чебоксары (8352)28-53-07
Владимир (4922)49-43-18	Краснодар (861)203-40-90	Оренбург (3532)37-68-04	Сочи (862)225-72-31	Челябинск (351)202-03-61
Волгоград (844)278-03-48	Красноярск (391)204-63-61	Пенза (8412)22-31-16	Ставрополь (8652)20-65-13	Череповец (8202)49-02-64
Вологда (8172)26-41-59	Курск (4712)77-13-04	Петрозаводск (8142)55-98-37	Сургут (3462)77-98-35	Чита (3022)38-34-83
Воронеж (473)204-51-73	Курган (3522)50-90-47	Псков (8112)59-10-37	Сыктывкар (8212)25-95-17	Якутск (4112)23-90-97
Екатеринбург (343)384-55-89	Липецк (4742)52-20-81		Тамбов (4752)50-40-97	Ярославль (4852)69-52-93

Россия +7(495)268-04-70

Казахстан +7(7172)727-132

Киргизия +996(312)96-26-47

www.fourwinds.nt-rt.ru | | fse@nt-rt.ru

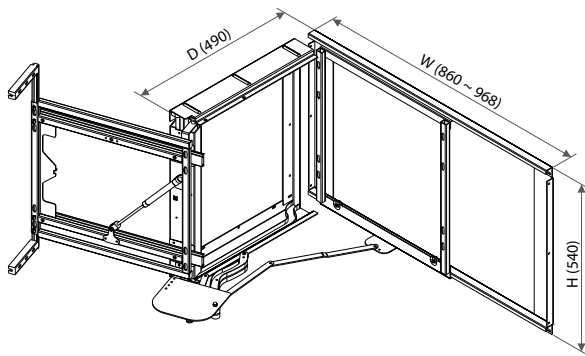
Технические характеристики на кухонную фурнитуру и аксессуары компании **Four Winds**

Виды товаров: угловые корзины, карусели, выдвижные корзины под раковину, выдвижные полки для бутылок, комплекты для бокового монтажа, выдвижные мусорные баки, газлифтовые комплекты для хранения, фурнитура для выдвижного стола, стеллажи для хранения в шкафу, настенные стеллажи для хранения, многофункциональные вентиляционные клапаны, врезные ящики для кухонной столешницы, ящики для столовых приборов, гофрированные подкладки, мягкие коврики, держатели на дверь, полотенцесушители и др.

14-1 Corner Storage

MH211-P One-Action Corner Basket Kit

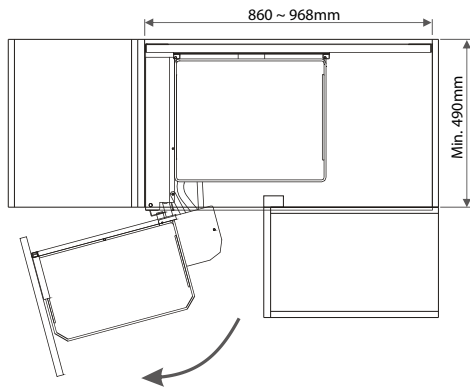
- * With ball bearing slide
- * Loading capacity: side frame 8 kgs, inner frame 15 kgs
- * Basket: stainless steel, satin finish plated
- * Frame: steel, gray epoxy
- * Door width 400 ~ 450mm
- * Applicable to left or right hand



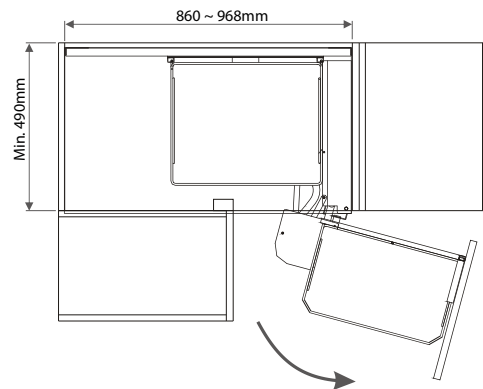
Basket A



Basket B



Left hand



Right hand

Item No.	Dimension (HxWxD)	Baskets
MH211-P	540x860 ~ 968x490mm	A x2 pcs & B x2 pcs

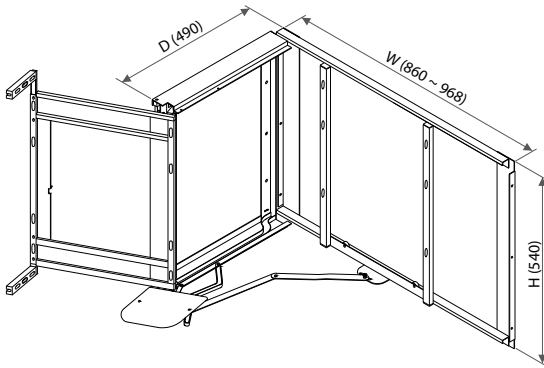
14-1 Corner Storage

One-Action Corner Basket Kit

MH111-A Steel

MH211-A Stainless steel

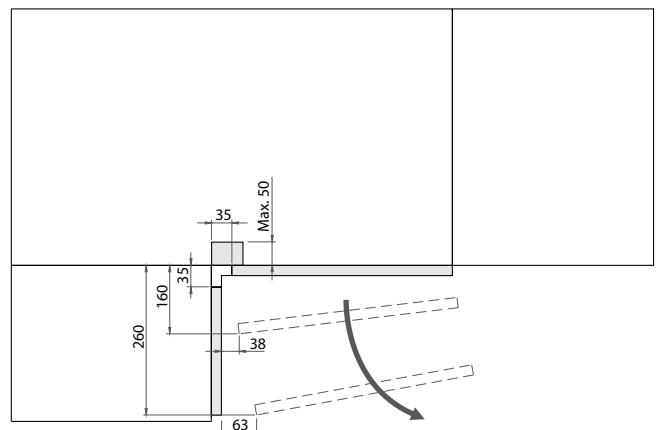
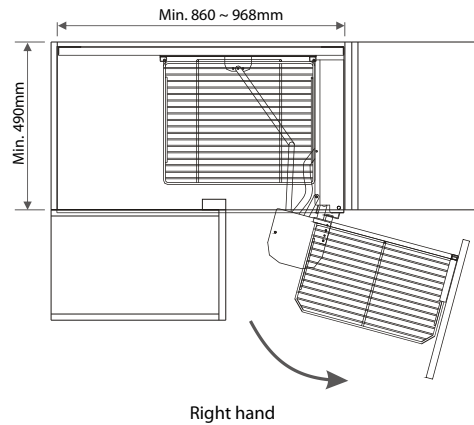
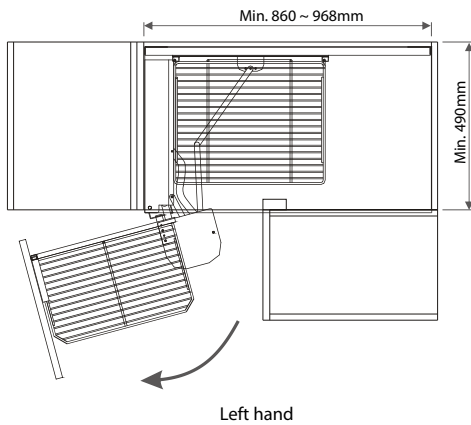
- * With ball bearing slide, soft-closing
- * Loading capacity: side frame 8 kgs, inner frame 15 kgs
- * Basket: steel or stainless steel, chrome plated
- * Frame: steel, gray epoxy
- * Door width 400 ~ 450mm
- * Applicable to left or right hand



Basket A



Basket B

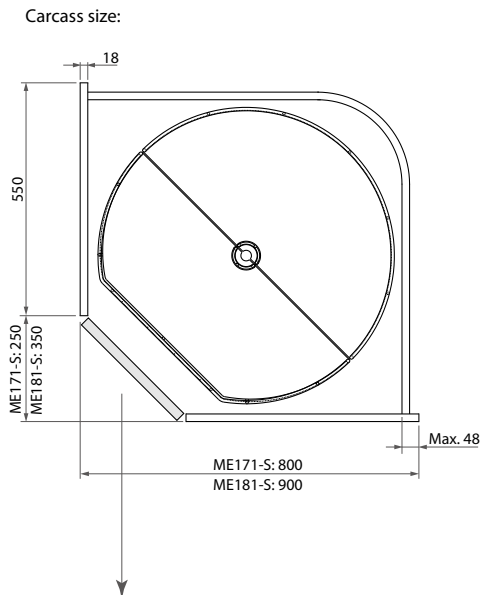


Item No.	Dimension (HxWxD)	Baskets quantity / material
MH111-A	540x860 ~ 968x490mm	A x2 pcs & B x2 pcs / steel
MH211-A	540x860 ~ 968x490mm	A x2 pcs & B x2 pcs / stainless steel

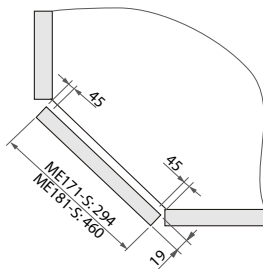
14-1 Corner Storage

Diagonal Corner Carrousel

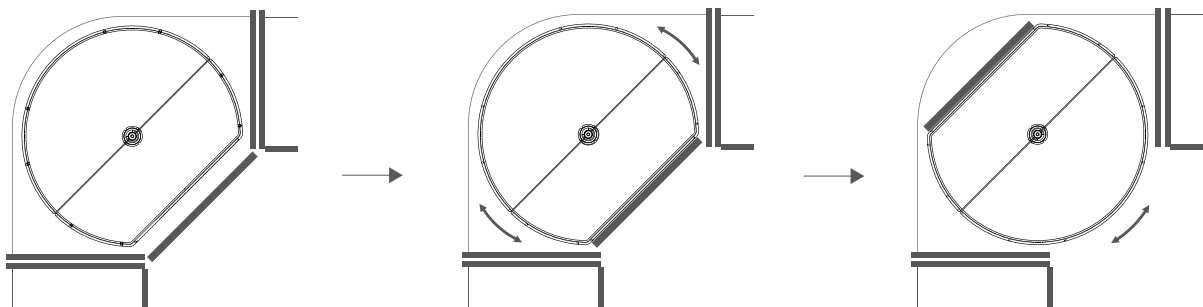
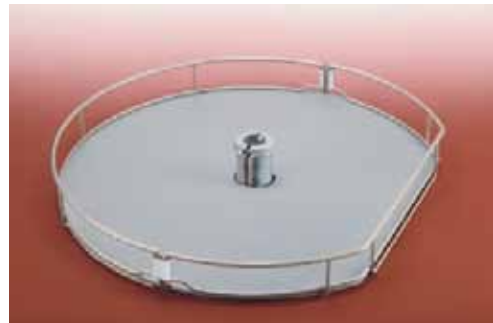
- * With slow motion
- * Loading capacity: 20 kgs
- * Basket: stainless steel, satin finish plated
- * Tube and mechanism: steel, gray epoxy



Diagonal door size:



Basket



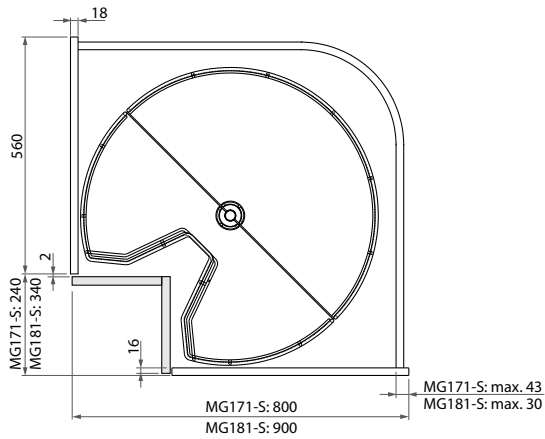
Item No.	Dimension (HxWxD)	Baskets	Cabinet width
ME171-S	700 ~ 780x764x460mm	2 pcs	800mm
ME181-S	700 ~ 780x864x510mm	2 pcs	900mm

14-1 Corner Storage

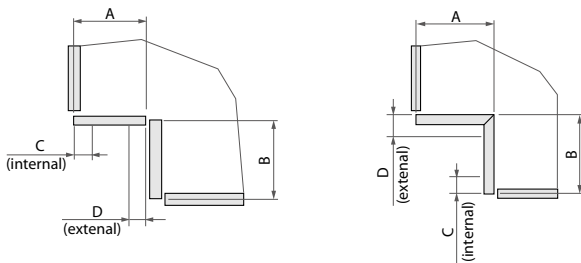
Corner Carrousel

- * With slow motion
- * Loading capacity: 20 kgs
- * Basket: stainless steel, satin finish plated
- * Tube and mechanism: steel, gray epoxy

Carcass size:



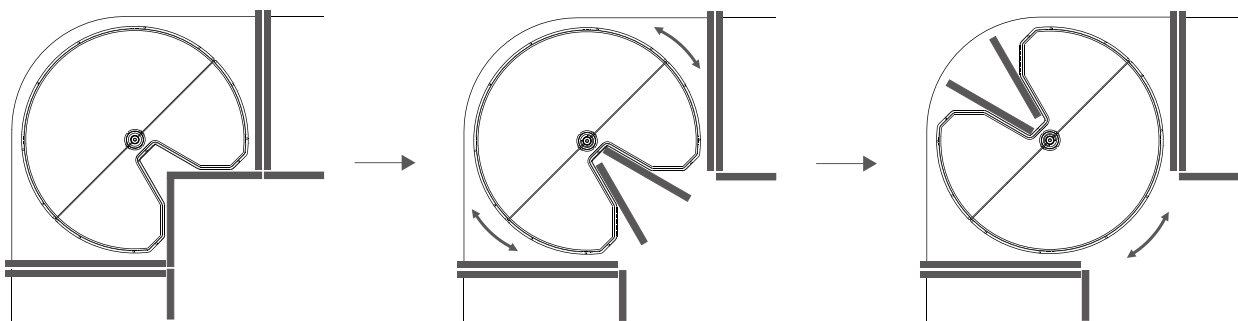
Doors with corner studs fixed at the right door:



unit: mm

Item No.	A	B	C	D
MG171-S	226	244	52	41
MG181-S	326	345	49	40

Basket

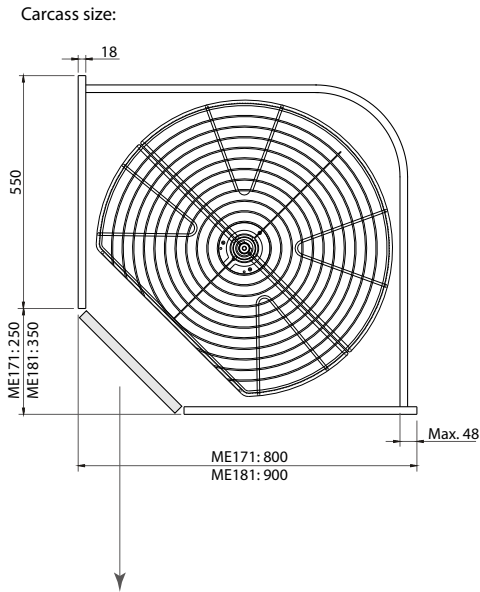


Item No.	Dimension (HxWxD)	Baskets	Cabinet width
MG171-S	610 ~ 880x764x460mm	2 pcs	800mm
MG181-S	610 ~ 880x864x510mm	2 pcs	900mm

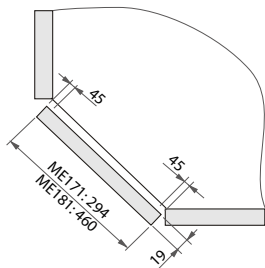
14-1 Corner Storage

Diagonal Corner Carrousel

- * With slow motion
- * Loading capacity: 20 kgs
- * Basket: steel, chrome plated
- * Tube and mechanism: steel, gray epoxy

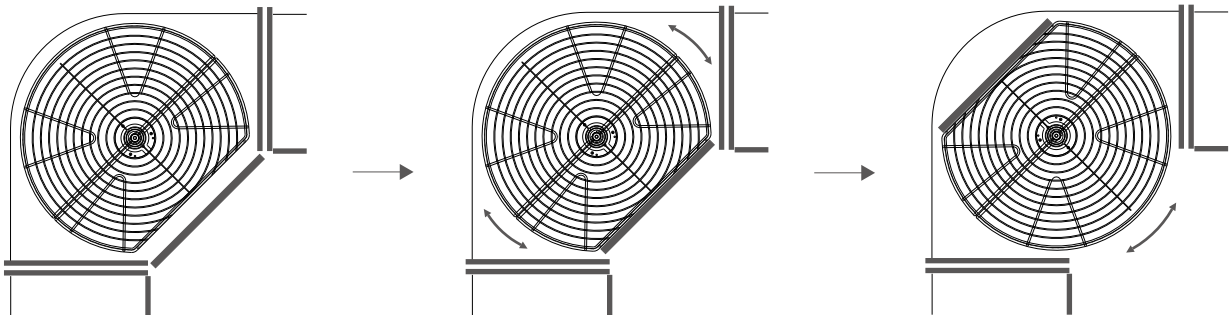
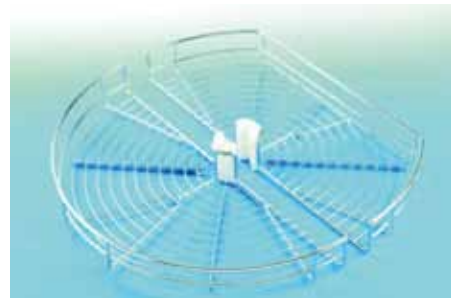


Diagonal door size:



Basket

- * Two sizes: Ø700x80mm and Ø800x80mm



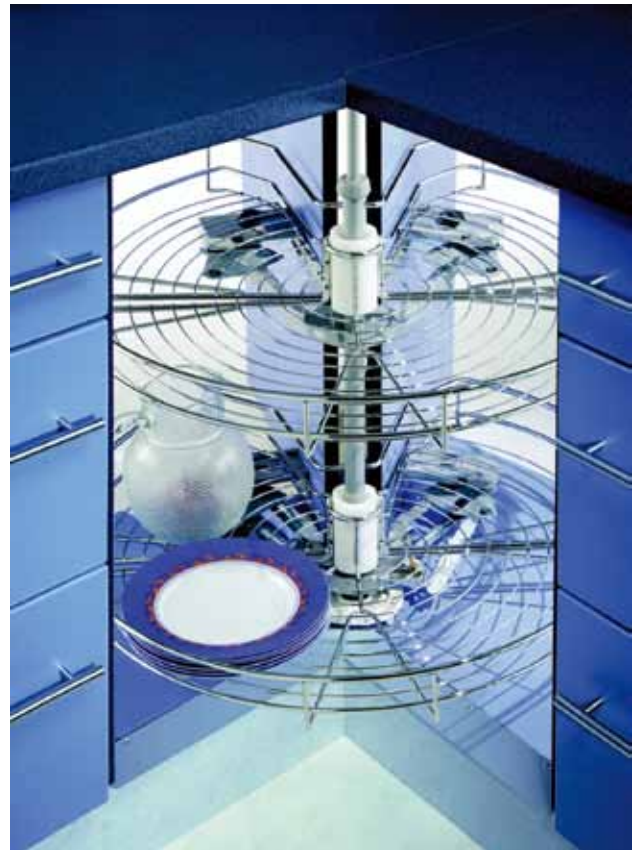
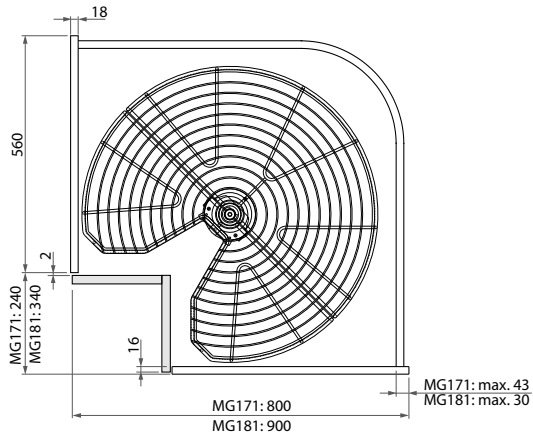
Item No.	Dimension (HxWxD)	Baskets	Cabinet width
ME171	700 ~ 780x764x460mm	2 pcs	800mm
ME181	700 ~ 780x864x510mm	2 pcs	900mm

14-1 Corner Storage

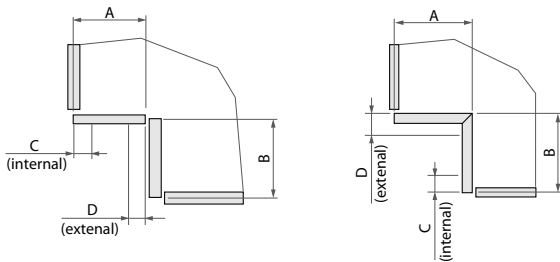
Corner Carrousel

- * Loading capacity: 20 kgs
- * Basket: steel, chrome plated
- * Tube and mechanism: steel, gray epoxy

Carcass size:



Doors with corner studs fixed at the right door:

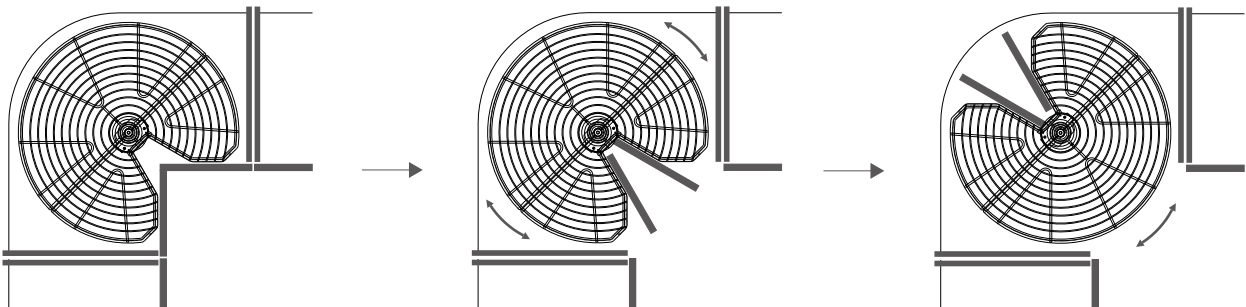
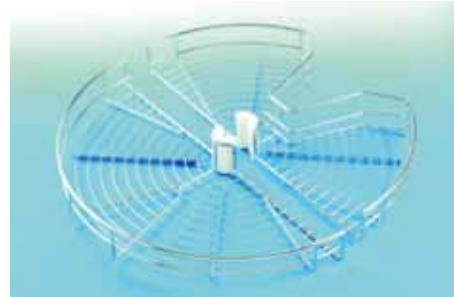


Item No.	A	B	C	D
MG171	226	244	52	41
MG181	326	345	49	40

unit: mm

Basket

- * Two sizes: Ø700x80mm and Ø800x80mm

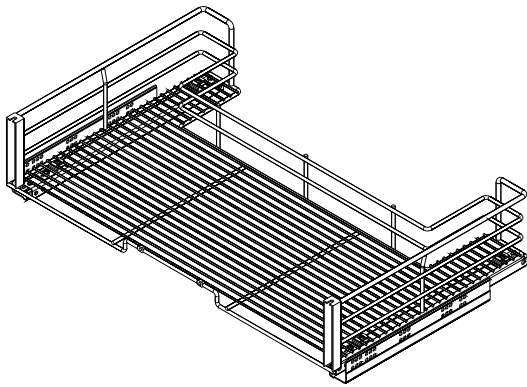


Item No.	Dimension (HxWxD)	Baskets	Cabinet width
MG171	610 ~ 880x764x460mm	2 pcs	800mm
MG181	610 ~ 880x864x510mm	2 pcs	900mm

14-1 Corner Storage

Under Sink Pull-out Basket, 154mm Depth Cut-out

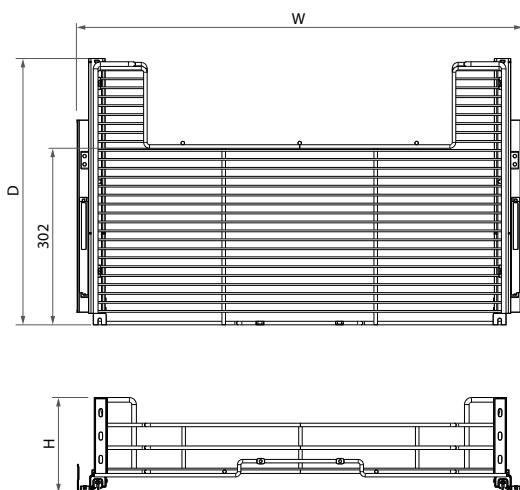
- * With soft-closing concealed slide, 450mm L.
- * Loading capacity: 25 kgs
- * Basket: stainless steel, chrome plated



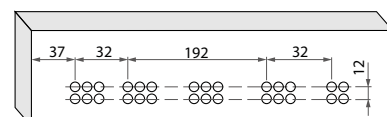
Basket



Concealed Slide, 450mm L.



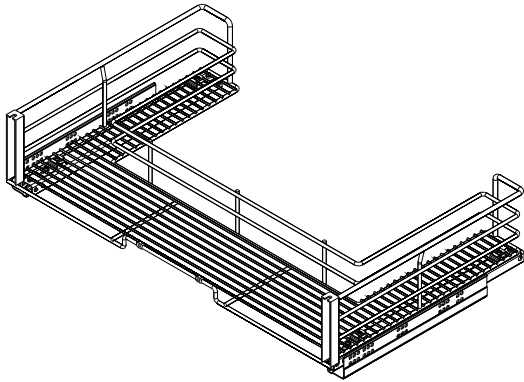
Item No.	Dimension (HxWxD)	Basket	Cabinet width
KQ280-CB	163x764x456mm	1 pc	800mm
KQ290-CB	163x864x456mm	1 pc	900mm
KQ210-CB	163x964x456mm	1 pc	1,000mm



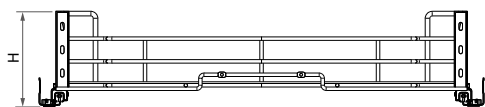
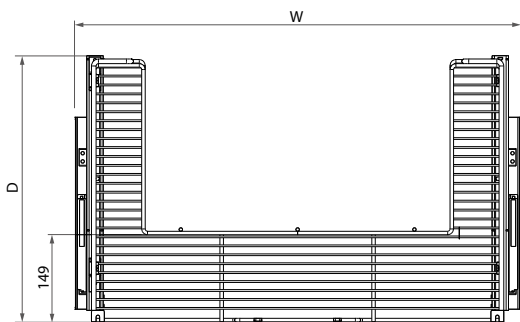
14-1 Corner Storage

Under Sink Pull-out Basket, 307mm Depth Cut-out

- * With soft-closing concealed slide, 450mm L.
- * Loading capacity: 25 kgs
- * Basket: stainless steel, chrome plated



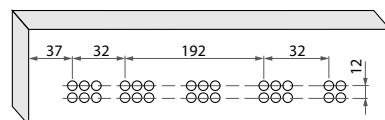
Basket



Concealed Slide, 450mm L.



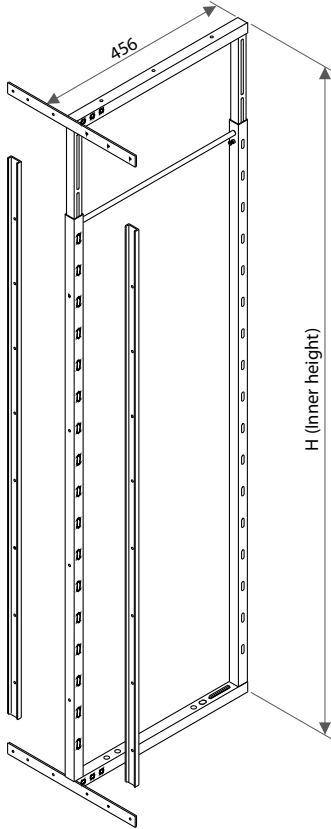
Item No.	Dimension (HxWxD)	Basket	Cabinet width
KQ280-CA	163x764x456mm	1 pc	800mm
KQ290-CA	163x864x456mm	1 pc	900mm
KQ210-CA	163x964x456mm	1 pc	1,000mm



14-1 Corner Storage

Tall Unit Pull-out Basket - Heavy Duty

- * With heavy duty runner
- * Loading capacity: 60 kgs
- * Basket: steel or stainless steel, chrome plated
- * With metal frames for tall units, steel in gray epoxy



Basket A



Basket B



Basket finish: steel, chrome plated

Item No.	Dimension (HxWxD)	Baskets	Cabinet width
HB131-C	1,570 ~ 1,870x264x490mm	Bx10 pcs	300mm
HB141-C	1,570 ~ 1,870x364x490mm	Bx10 pcs	400mm
HB152-C	1,570 ~ 1,870x464x490mm	Ax6 pcs & Bx4 pcs	500mm
HC131-C	1,870 ~ 2,170x264x490mm	Bx12 pcs	300mm
HC141-C	1,870 ~ 2,170x364x490mm	Bx12 pcs	400mm
HC152-C	1,870 ~ 2,170x464x490mm	Ax8 pcs & Bx4 pcs	500mm

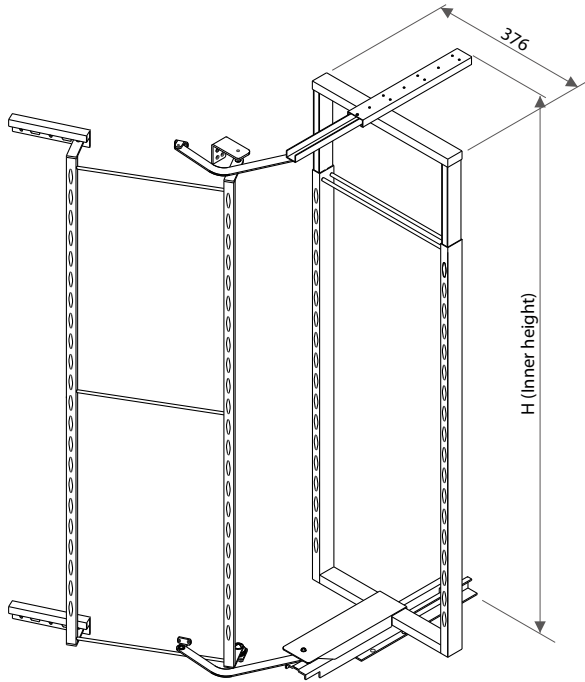
Basket finish: stainless steel, chrome plated

Item No.	Dimension (HxWxD)	Baskets	Cabinet width
HB231-C	1,570 ~ 1,870x264x490mm	Bx10 pcs	300mm
HB241-C	1,570 ~ 1,870x364x490mm	Bx10 pcs	400mm
HB252-C	1,570 ~ 1,870x464x490mm	Ax6 pcs & Bx4 pcs	500mm
HC231-C	1,870 ~ 2,170x264x490mm	Bx12 pcs	300mm
HC241-C	1,870 ~ 2,170x364x490mm	Bx12 pcs	400mm
HC252-C	1,870 ~ 2,170x464x490mm	Ax8 pcs & Bx4 pcs	500mm

14-1 Corner Storage

Larder Pull-out Basket - Heavy Duty

- * With 3 pcs 175° hinge
- * Basket: steel or stainless steel, chrome plated
- * With metal frames, steel in gray epoxy



Basket A



Basket B



Basket finish: steel, chrome plated

Item No.	Dimension (HxWxD)	Baskets	Cabinet width	Loading capacity
AA120	1,225 ~ 1,570x414x510mm	Ax5 pcs & Bx5 pcs	450mm	40 kgs
AA180	1,765 ~ 2,110x414x510mm	Ax6 pcs & Bx6 pcs	450mm	50 kgs

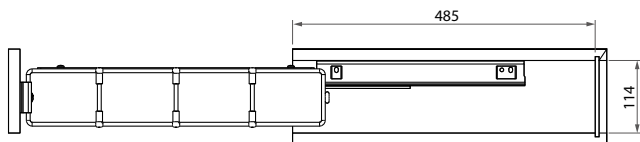
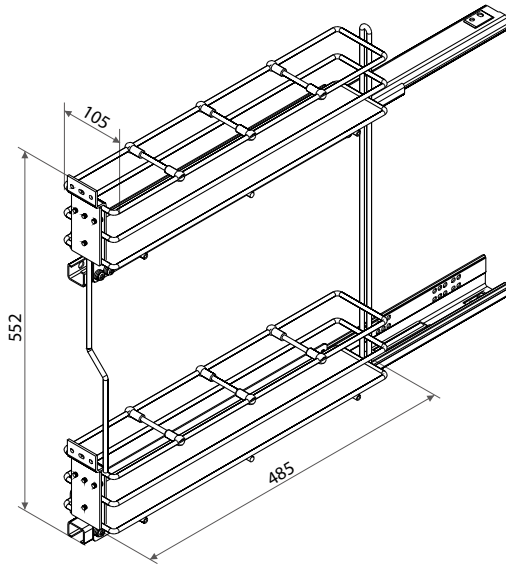
Basket finish: stainless steel, chrome plated

Item No.	Dimension (HxWxD)	Baskets	Cabinet width	Loading capacity
AA220	1,225 ~ 1,570x414x510mm	Ax5 pcs & Bx5 pcs	450mm	40 kgs
AA280	1,765 ~ 2,110x414x510mm	Ax6 pcs & Bx6 pcs	450mm	50 kgs

14-1 Corner Storage

FC215-CS Space Genie

- * With 450mm L. soft-closing concealed slide
- * Loading capacity: 20 kgs
- * Material: stainless steel, satin finish plated



Space Genie

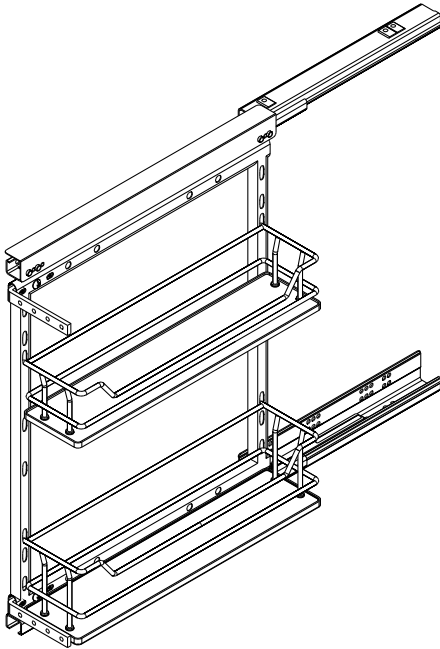


Item No.	Dimension (HxWxD)	Cabinet width
FC215-CS	552x105x485mm	150mm

14-1 Corner Storage

FA220-CP Side Mount Kit

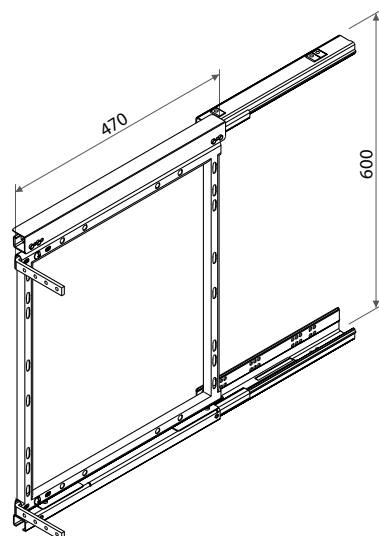
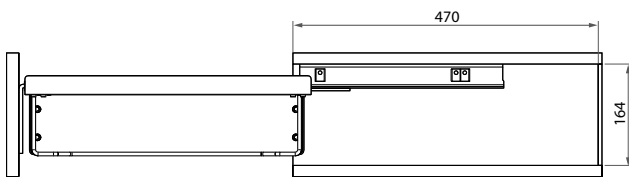
- * Pull-out with 450mm L. soft-closing concealed slide
- * Loading capacity: 20 kgs
- * Basket: stainless steel, satin finish plated
- * Frame: steel, gray epoxy



Basket A



Basket B

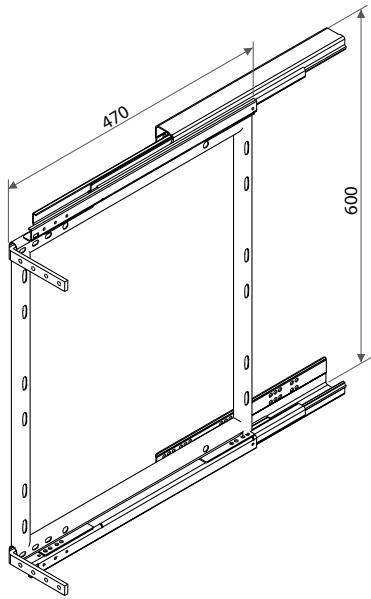


Item No.	Dimension (HxWxD)	Baskets	Cabinet width
FA220-CP	600x164x470mm	Ax1 pc & Bx1 pc	200mm

14-1 Corner Storage

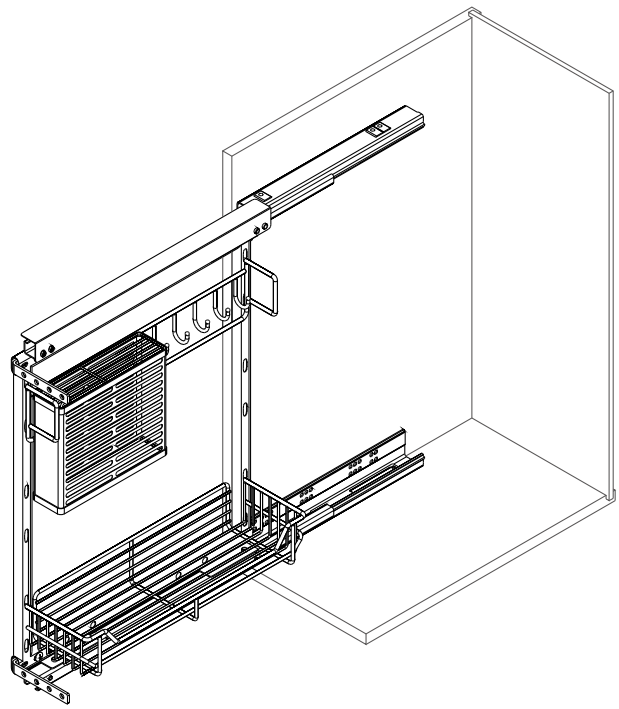
FA220-CD Side Mount Kit

- * Pull-out with 450mm L. soft-closing concealed slide
- * Loading capacity: 25 kgs
- * Basket: stainless steel, chrome plated
- * Frame: steel, gray epoxy



14

Kitchen & Bathroom

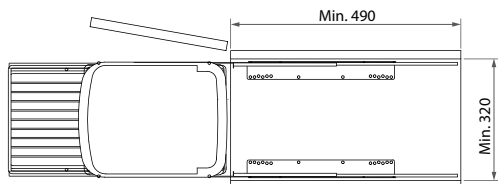
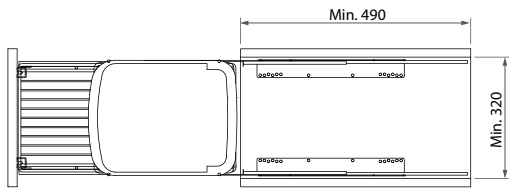
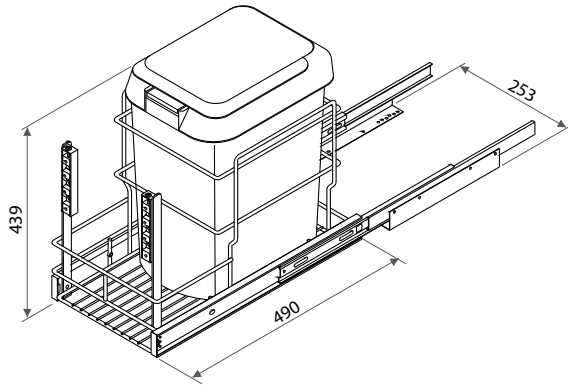


Item No.	Dimension (HxWxD)	Component	Cabinet width
FA220-CD	600x164x470mm	1 basket	150mm
		+ 1 knife rack	
		+ 1 hook rack	

14-2 Pull-out Storage & Waste Bins

FJ132-C Pull-Out Waste Bin

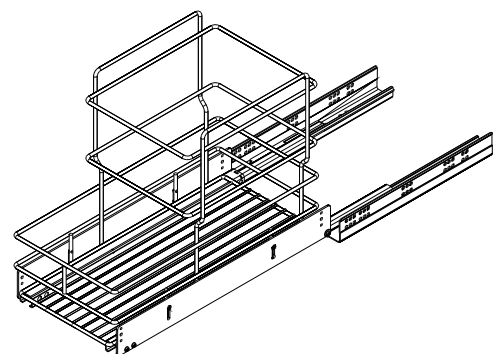
- * With 450mm L. soft-closing concealed slide
- * Loading capacity: 25 kgs
- * Plastic waste bin with cover in gray or blue color
- * Wire basket: steel, chrome plated



Waste Bin



Basket

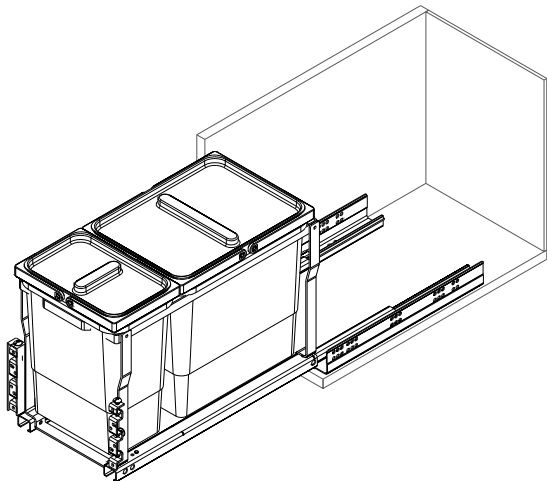


Item No.	Dimension (HxWxD)	Cabinet width
FJ132-C	450x253x500mm	300mm

14-2 Pull-out Storage & Waste Bins

Slow Motion Pull-Out 300 Waste Bins

- * With soft-closing concealed slide
- * Loading capacity: 20 kgs
- * Frame: steel, champagne plated
- * Plastic bin in gray color, plastic cover in white, blue, yellow or green color



S type (small) Plastic Bin

- * Dimension (HxWxD): 310x150x225mm



L type (large) Plastic Bin

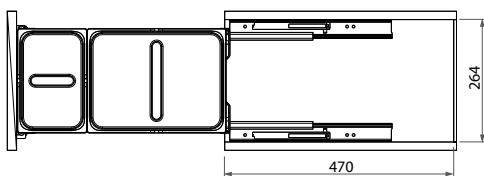
- * Dimension (HxWxD): 310x225x300mm



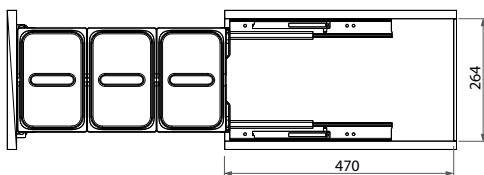
Frame, with concealed slide



FJ230-C



FJ231-C

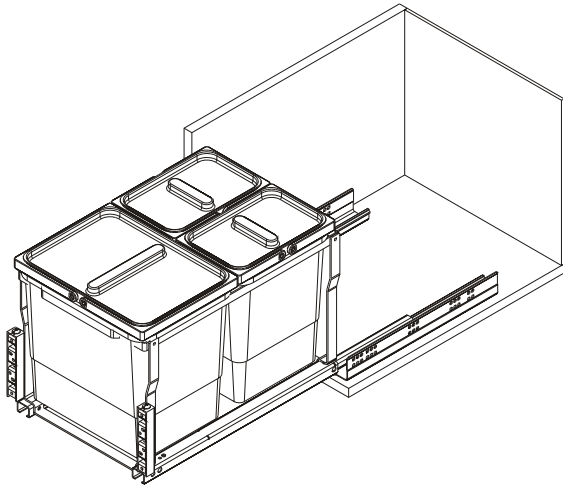


Item No.	Dimension (HxWxD)	Bins	Cabinet width
FJ230-C	320x264x470mm	S x1 pc & Lx1 pc	300mm
FJ231-C	320x264x470mm	S x3 pcs	300mm

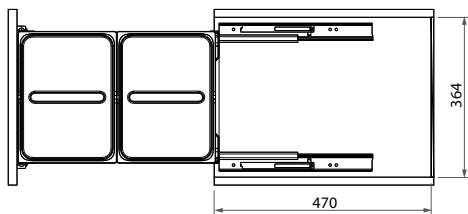
14-2 Pull-out Storage & Waste Bins

Slow Motion Pull-Out 400 Waste Bins

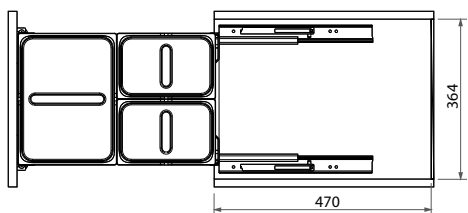
- * With soft-closing concealed slide
- * Loading capacity: 20 kgs
- * Frame: steel, champagne plated
- * Plastic bin in gray color, plastic cover in white, blue, yellow or green color



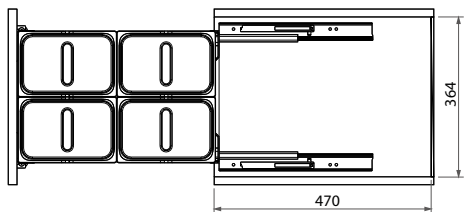
FJ240-C



FJ241-C



FJ242-C



S type (small) Plastic Bin

* Dimension (HxWxD): 310x150x225mm



L type (large) Plastic Bin

* Dimension (HxWxD): 310x225x300mm



Frame, with concealed slide

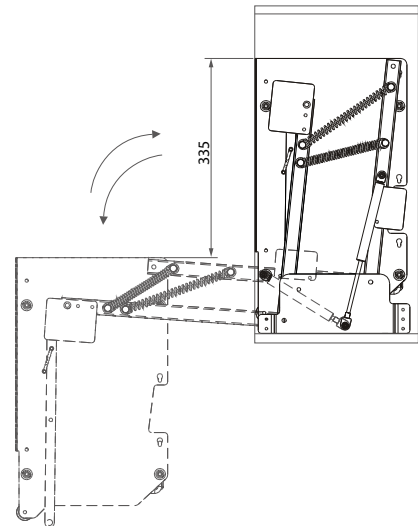
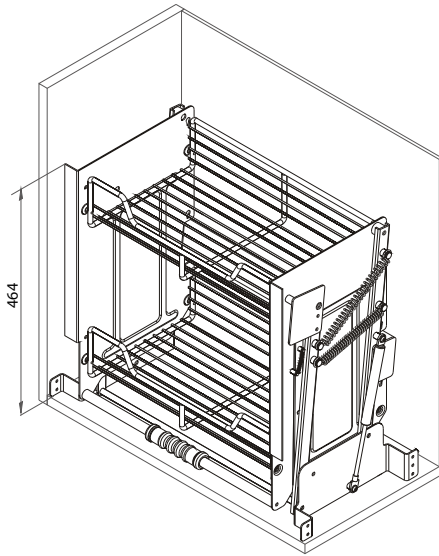


Item No.	Dimension (HxWxD)	Bins	Cabinet width
FJ240-C	320x364x470mm	Lx2 pcs	400mm
FJ241-C	320x364x470mm	S x2 pcs & Lx1 pc	400mm
FJ242-C	320x364x470mm	S x4 pcs	400mm

14-3 Kitchen Fittings & Accessories

Gas Lift Storage Kit

- * Side frame: steel, gray epoxy
- * Plate: stainless steel, chrome plated



Item No.	Dimension (HxWxD)	Loading capacity	Cabinet width
WD160	464x564x280mm	max. 8 kgs	600mm
WD180	464x764x280mm	max. 10 kgs	800mm
WD190	464x864x280mm	max. 12 kgs	900mm

FD100 Pull-Out Table Fitting

- * Loading capacity: 15 kgs
- * Material: steel, chrome plated



Lid Stay



Item No.	Dimension (HxWxD)	Cabinet width
FD100	550x264 ~ 564x480mm	300 ~ 600mm

14-3 Kitchen Fittings & Accessories

Cabinet Storage Shelving

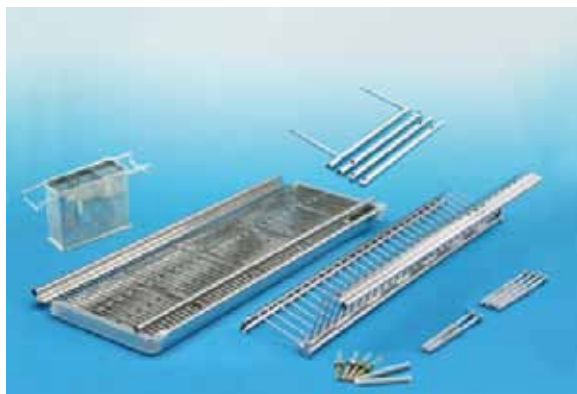
- * Material: stainless steel, chrome plated
- * Loading capacity: 8 kgs per shelf



Item No.	Dimension (W)	Cabinet width
WB260	520 ~ 610mm	600mm
WB280	720 ~ 810mm	800mm
WB290	820 ~ 910mm	900mm
WB210	920 ~ 1,010mm	1,000mm

Wall-Mounted Storage Shelving

- * Material: stainless steel, chrome plated
- * Loading capacity: 8 kgs per shelf

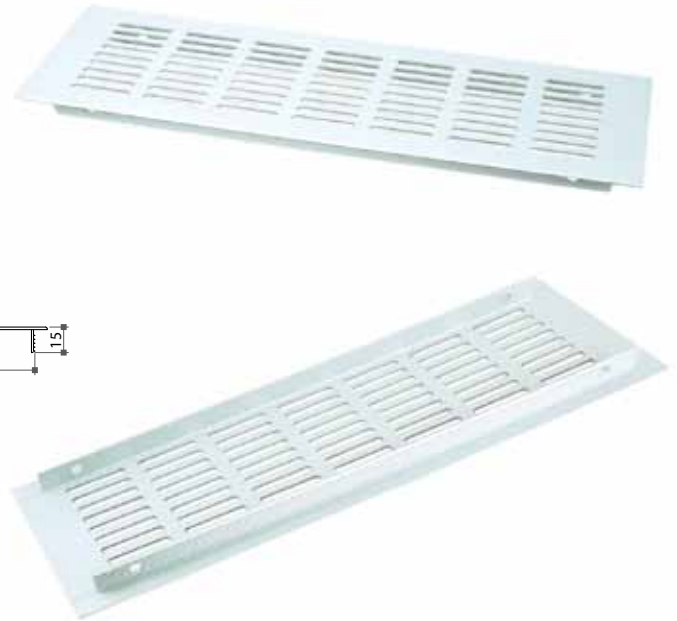
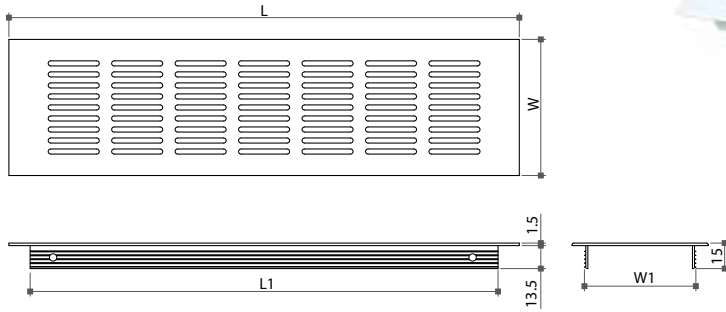


Item No.	Dimension (W)
WB260-B	Min. 600mm
WB280-B	Min. 800mm
WB290-B	Min. 900mm
WB210-B	Min. 1,000mm

14-3 Kitchen Fittings & Accessories

Aluminium Multi-Function Vent

- * Aluminium, matt or bright silver anodized
- * Overall width: 80mm



Item No.	Overall size (LxW)	Cutting size (L1xW1)
90815	150x80mm	125x65mm
90830	300x80mm	275x65mm
90845	450x80mm	425x65mm

90910 Kitchen Bench Top Bin

- * Stainless steel bucket and lid
- * Aluminium dustpan, zinc plated
- * Approx. 10 litre capacity
- * Cut out diameter: Ø230mm
- * Bucket depth: 255mm
- * Overall diameter: Ø254mm



14-3 Kitchen Fittings & Accessories

Flatware Storage

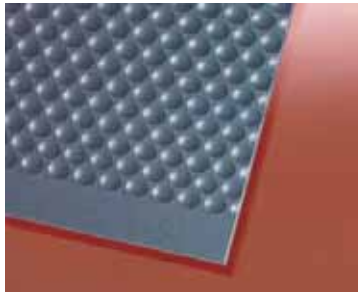
* Material: HIPS

Item No.	Dimension (HxWxD)
LG300	490x260x47mm
LG400	490x360x47mm
LG450	490x390x47mm
LG500	490x440x47mm
LG600	490x540x50mm
LG800	490x740x50mm
LG900	490x840x50mm
LG100	490x940x50mm



Corrugated Pads

* Material: HIPS



Item No.	Dimension (WxLxT)
D877	580x2,000x2mm

Soft PVC Pads

* Material: PVC



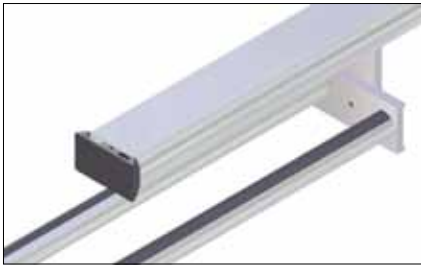
Item No.	Dimension (LxWxT)
D899	20,000x500x1mm

14-4 Towel Rails

Album Towel Holders

- * Pull-out frame with 3 nylon rollers, top or side mount

Top mount

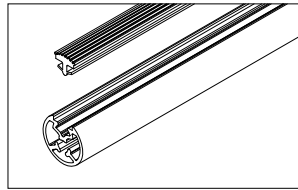


Side mount



Innovative

- * Aluminium towel bar topped with soft-touch silicon extrusion in black, anti-slippery



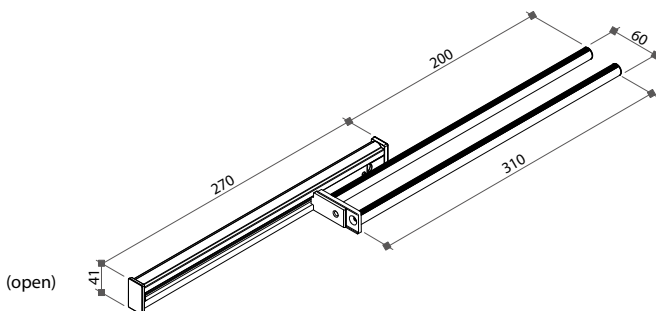
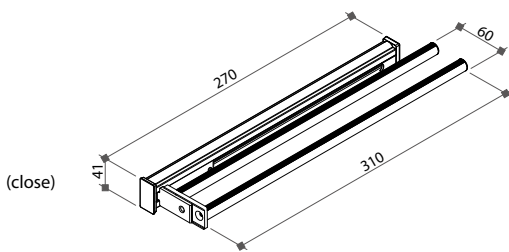
- * Pull-out frame and towel bars all in aluminium, matt silver and shiny silver anodized, with plastic end caps in black
- * Three frame lengths: 270mm, 410mm and 480mm
- * Applicable to bathroom and build-in kitchen cabinet

14

Kitchen & Bathroom

ATH27-31-2 Album Towel Holder

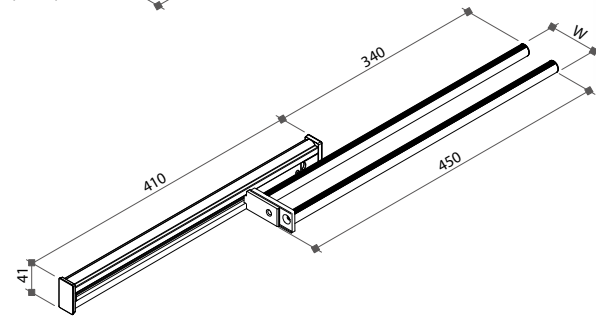
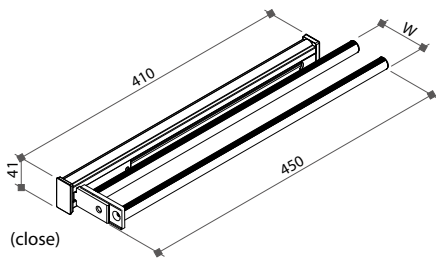
- * 270mm frame with 2 pc of 310mm towel bar



14-4 Towel Rails

ATH41-45 Album Towel Holder

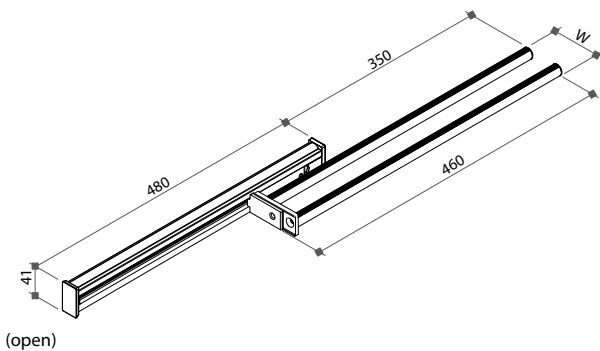
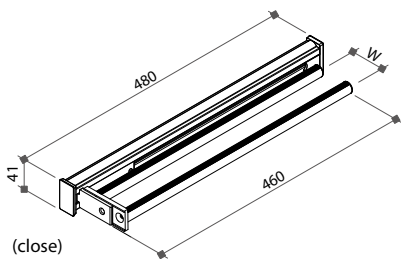
* 410mm frame with 450mm towel bar



Item No.	Version	W
ATH41-45-1	1 towel bar	30mm
ATH41-45-2	2 towel bars	60mm
ATH41-45-3	3 towel bars	105mm
ATH41-45-4	4 towel bars	150mm

ATH48-46 Album Towel Holder

* 480mm frame with 460mm towel bar



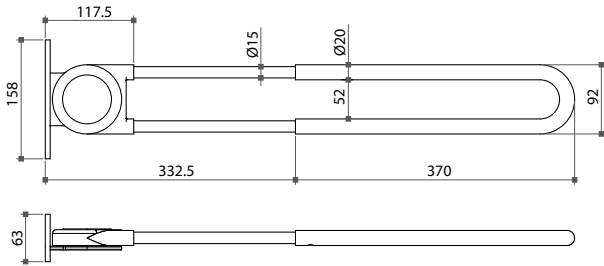
Item No.	Version	W
ATH48-46-1	1 towel bar	30mm
ATH48-46-2	2 towel bars	60mm
ATH48-46-3	3 towel bars	105mm
ATH48-46-4	4 towel bars	150mm

14-4 Towel Rails

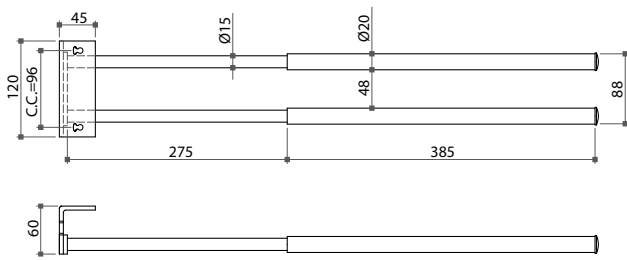
Album Extendable Towel Rail

- * Extendable aluminium rail length from 380 ~ 670mm
- * Finish: matt silver (NA) and shiny silver anodized

AET67-WMS Wall mount, 180° swivel

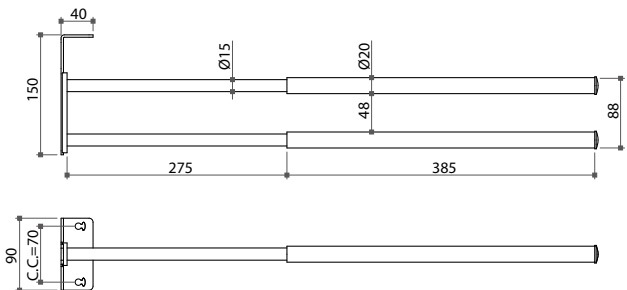


AET67-TMN Top mount, non-swivel



AET67-SMN Side mount, non-swivel

- * Right or left hand (interchangeable with one fixing screw)



Item No.	Description
AET67-WMS	Wall mounted, 180° swivel
AET67-TMN	Top mounted, non-swivel
AET67-SMN	Side mounted, non-swivel

Алматы (7273)495-231
Ангарск (3955)60-70-56
Архангельск (8182)63-90-72
Астрахань (8512)99-46-04
Барнаул (3852)73-04-60
Белгород (4722)40-23-64
Благовещенск (4162)22-76-07
Брянск (4832)59-03-52
Владивосток (423)249-28-31
Владикавказ (8672)28-90-48
Владимир (4922)49-43-18
Волгоград (844)278-03-48
Вологда (8172)26-41-59
Воронеж (473)204-51-73
Екатеринбург (343)384-55-89

Иваново (4932)77-34-06
Ижевск (3412)26-03-58
Иркутск (395)279-98-46
Казань (843)206-01-48
Калининград (4012)72-03-81
Калуга (4842)92-23-67
Кемерово (3842)65-04-62
Киров (8332)68-02-04
Коломна (4966)23-41-49
Кострома (4942)77-07-48
Краснодар (861)203-40-90
Красноярск (391)204-63-61
Курск (4712)77-13-04
Курган (3522)50-90-47
Липецк (4742)52-20-81

Магнитогорск (3519)55-03-13
Москва (495)268-04-70
Мурманск (8152)59-64-93
Набережные Челны (8552)20-53-41
Нижний Новгород (831)429-08-12
Новокузнецк (3843)20-46-81
Ноябрьск (3496)41-32-12
Новосибирск (383)227-86-73
Омск (3812)21-46-40
Орел (4862)44-53-42
Оренбург (3532)37-68-04
Пенза (8412)22-31-16
Петрозаводск (8142)55-98-37
Псков (8112)59-10-37

Пермь (342)205-81-47
Ростов-на-Дону (863)308-18-15
Рязань (4912)46-61-64
Самара (846)206-03-16
Саранск (8342)22-96-24
Санкт-Петербург (812)309-46-40
Саратов (845)249-38-78
Севастополь (8692)22-31-93
Симферополь (3652)67-13-56
Смоленск (4812)29-41-54
Сочи (862)225-72-31
Ставрополь (8652)20-65-13
Сургут (3462)77-98-35
Сыктывкар (8212)25-95-17
Тамбов (4752)50-40-97

Тверь (4822)63-31-35
Тольятти (8482)63-91-07
Томск (3822)98-41-53
Тула (4872)33-79-87
Тюмень (3452)66-21-18
Ульяновск (8422)24-23-59
Улан-Удэ (3012)59-97-51
Уфа (347)229-48-12
Хабаровск (4212)92-98-04
Чебоксары (8352)28-53-07
Челябинск (351)202-03-61
Череповец (8202)49-02-64
Чита (3022)38-34-83
Якутск (4112)23-90-97
Ярославль (4852)69-52-93

Россия +7(495)268-04-70

Казахстан +7(7172)727-132

Киргизия +996(312)96-26-47

www.fourwinds.nt-rt.ru | | fse@nt-rt.ru